

AMP AMP Connect

Alphabetical Picture Part Number

SEARCH SEARCH SEARCH

Go To Step Search™ Screen

MAIN MENU HELP

FAMILIES REGISTRATION

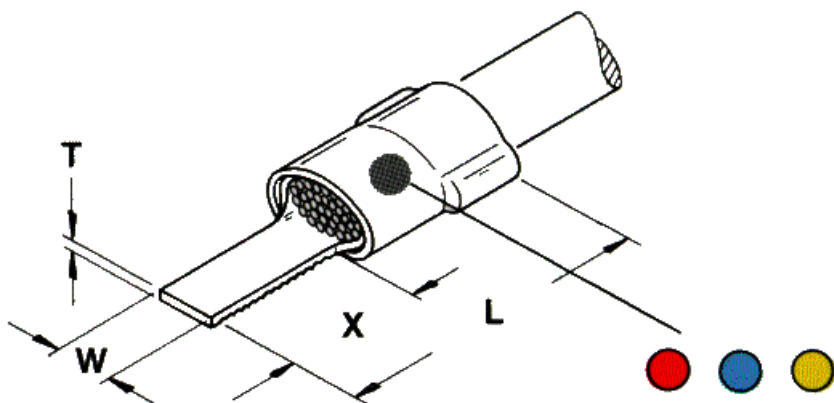
131445 -- 1 of 1 products

Terminals and Splices
Miscellaneous Terminals

General **INFO**

Sales **INFO**

Customer Drawings
SPECIFICATIONS



Line art represents typical product only.

Searchable Features:

Product Type	Wire Pin
Insulation Support	Insulation Support
Wire Range	12-10 [2.70-6.60 ²] AWG [mm]
Double Wire	No

Other Properties:

Dim. L	1.148 [29.16] Max. in. [mm]
Dim. W	.161 [4.10] in. [mm]
Dim. X	.488 [12.40] in. [mm]
Shape	WIRE PIN-002
Insulation	Yes
Insulation Diameter	.248 [6.30] Max. in. [mm]
Insulation Sleeve Material	Vinyl
Color	Yellow
Finish	Tin
Material	Copper
DIN Wire Size	<[2.50-6.00 ²] in. [mm]
Packaging Method	Loose Piece
AMP Proprietary Name	PLASTI-GRIP
CERTI-CRIMP Hand Tool	59239-4, 525692-0 (Great Britain Tool)
CERTI-LOK Hand Tool Frame Assembly	169400
CERTI-LOK Die Assembly	169404