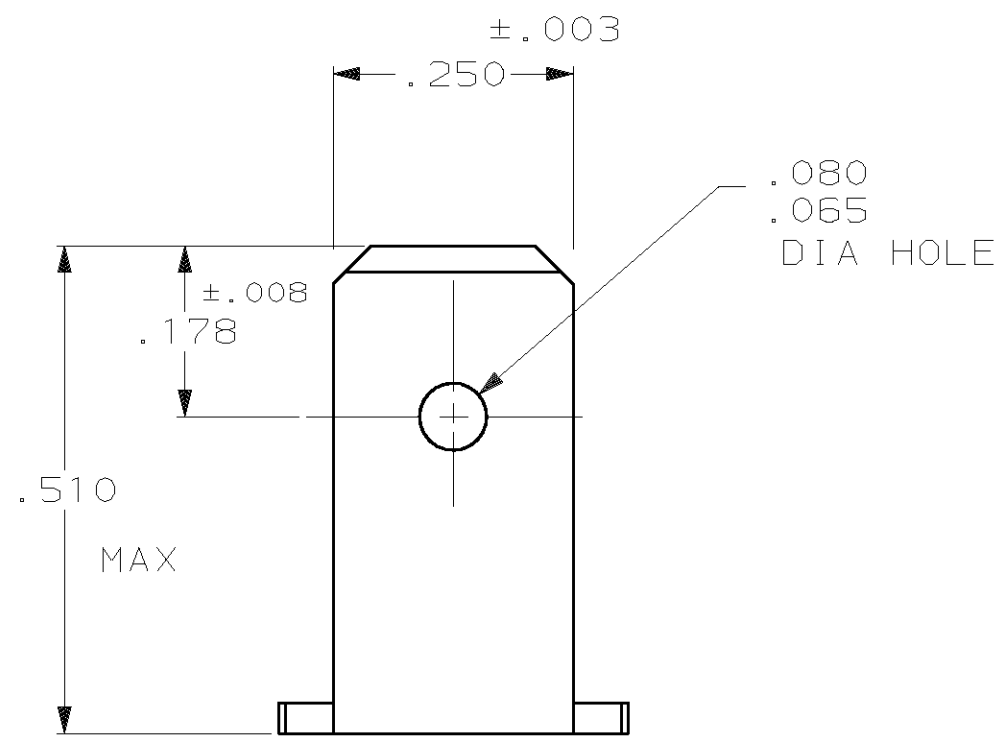
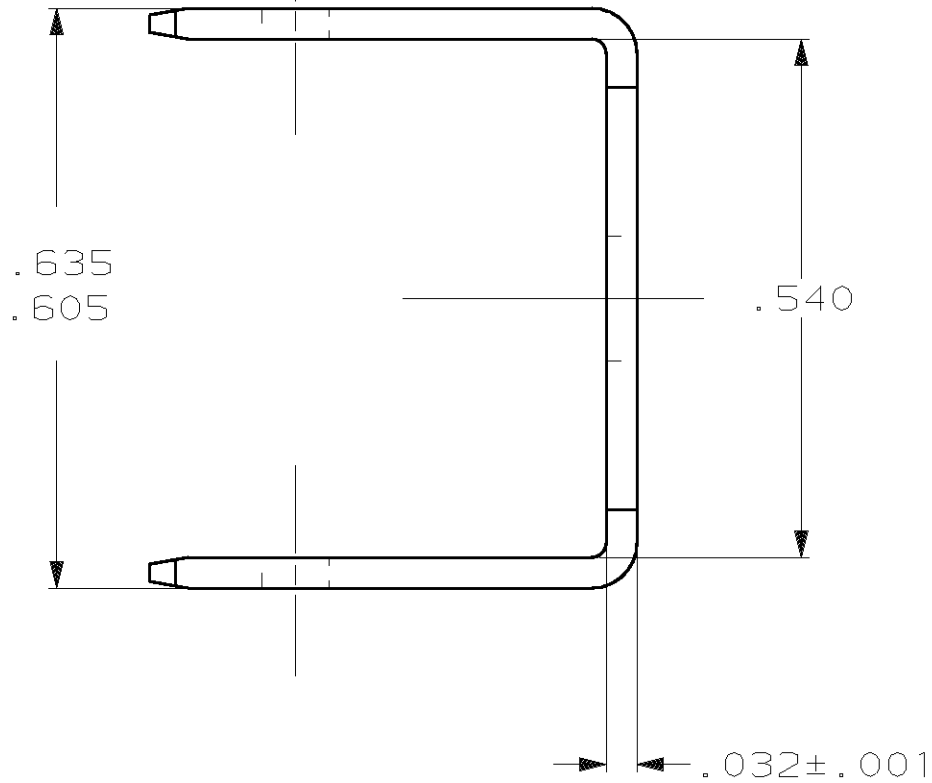
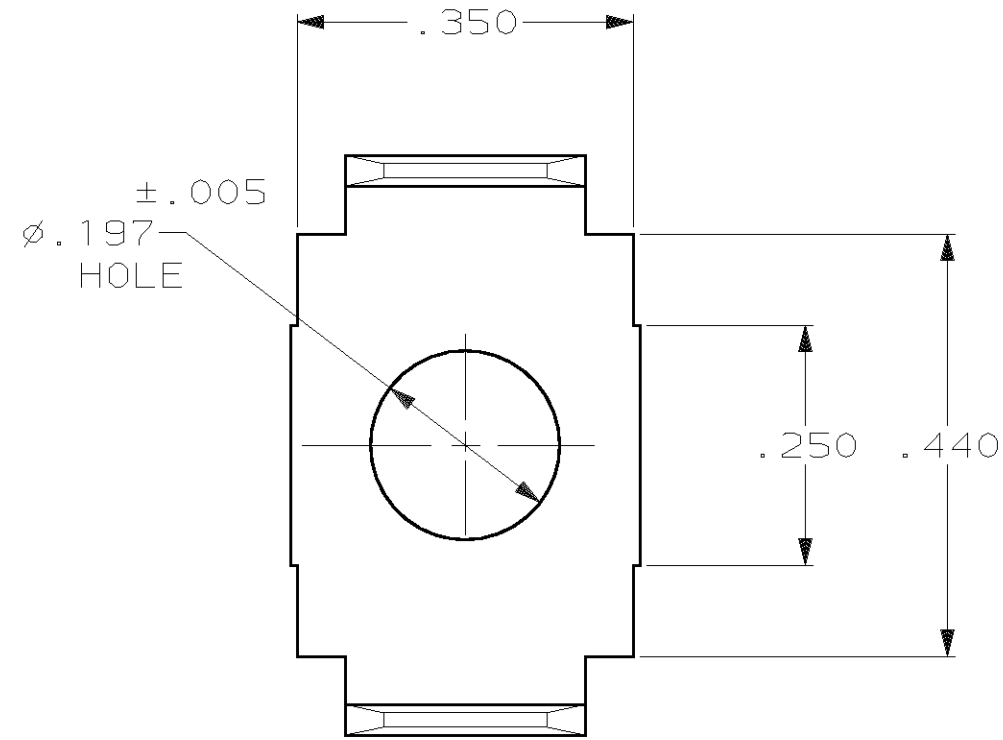



THIS DRAWING IS UNPUBLISHED. RELEASED FOR PUBLICATION, 19
 © COPYRIGHT 19 BY AMP INCORPORATED. ALL INTERNATIONAL RIGHTS RESERVED.

LOC	DIST	P	F	REVISIONS			DATE	APPD
AF	50			ZONE	LTR	DESCRIPTION		
					D	REL PER 0G3A-0499-02	20AUG02	JR/ND

1 SUPPLIED IN LOOSE PIECE



DO NOT SCALE PRINT. UNLESS SPECIFIED DIMENSIONS ARE IN INCHES. TOLERANCES ON: 2 PLC DEC ± - 3 PLC DEC ± .010 ANGLES ± -		DR 29APR02 JR RUTH	 AMP Incorporated Harrisburg, PA 17105-3608
MATERIAL 082 BRASS	CHK 29APR02 MS FEHER	APPD 29APR02 N DEIBERT	
FINISH -	APPD 29APR02 N DEIBERT	PRODUCT SPEC -	NAME TAB, FASTON, .250 SERIES
	APPLICATION SPEC -	WEIGHT -	SIZE B
			CAGE CODE 00779
			DRAWING NO 1217831
			SCALE 5:1
			SHEET 1 OF 1

1217831-1
PART NO