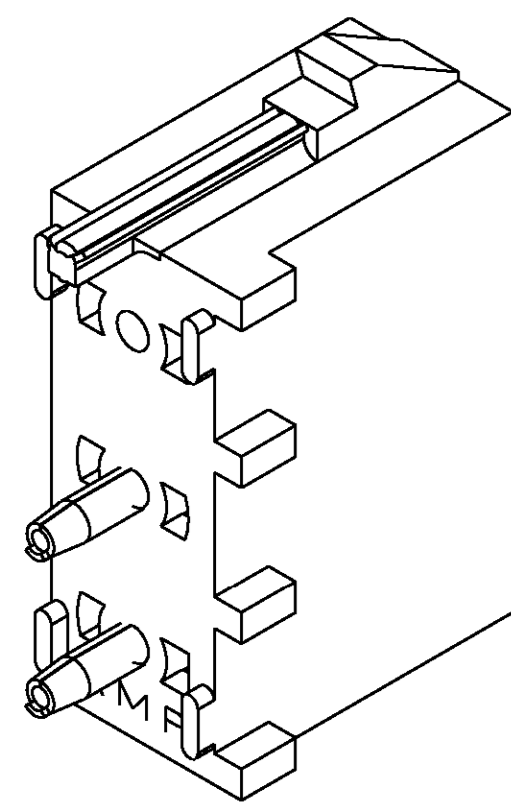
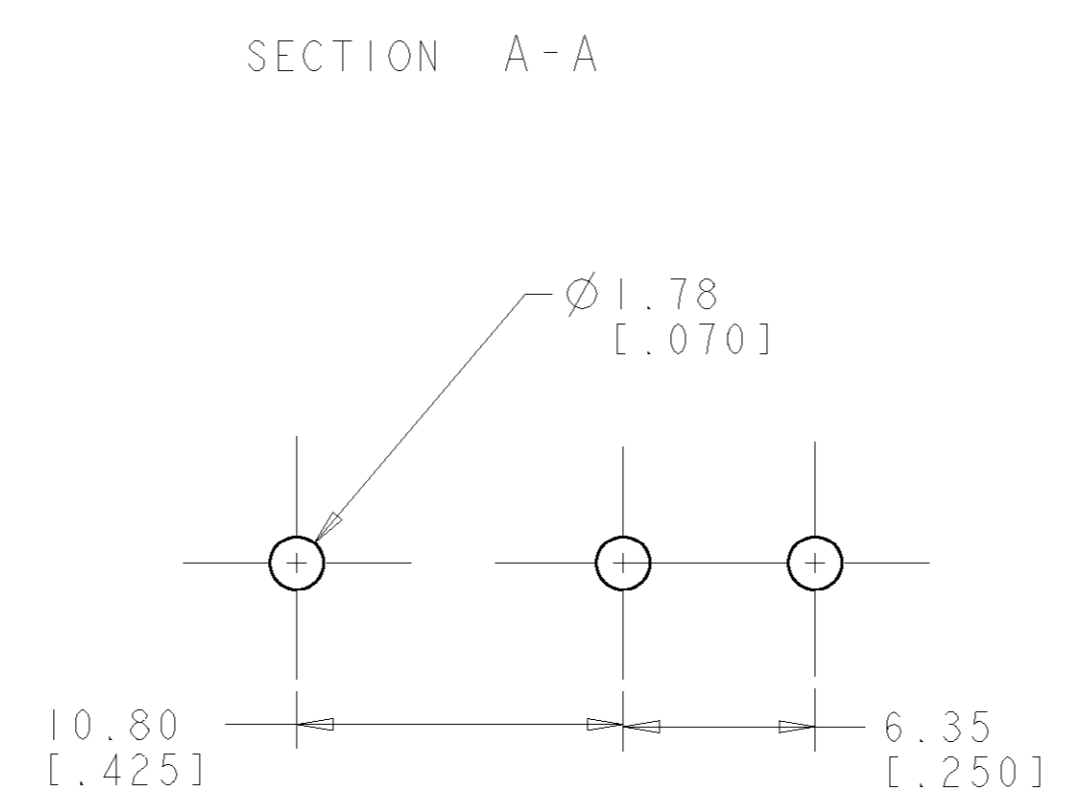
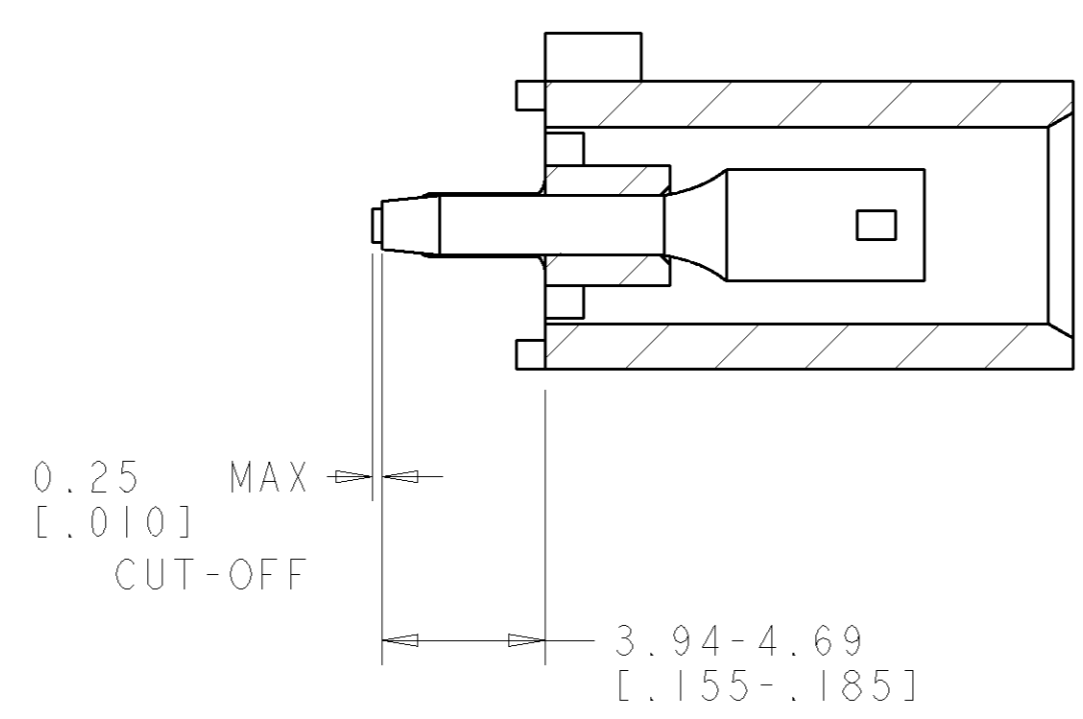
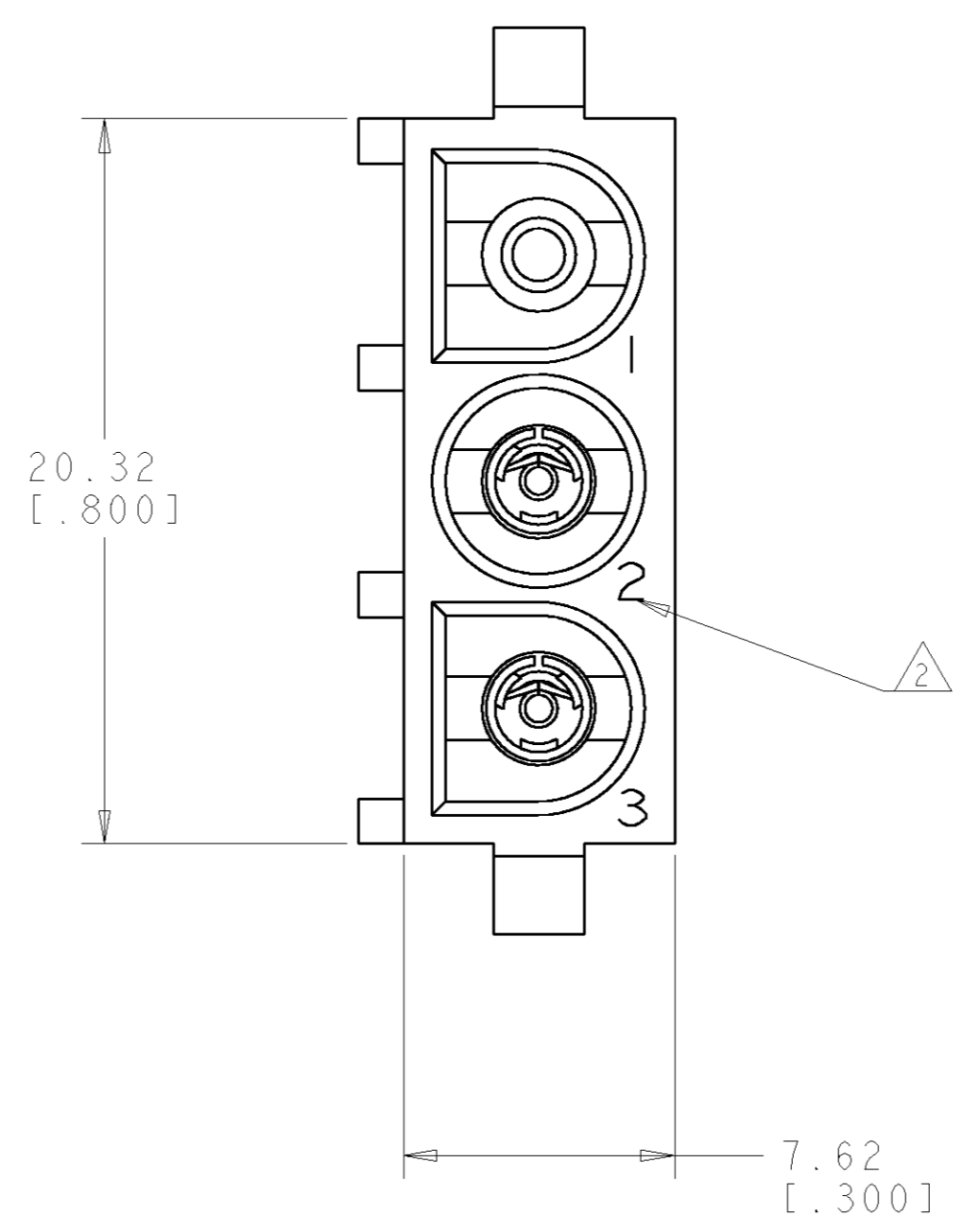
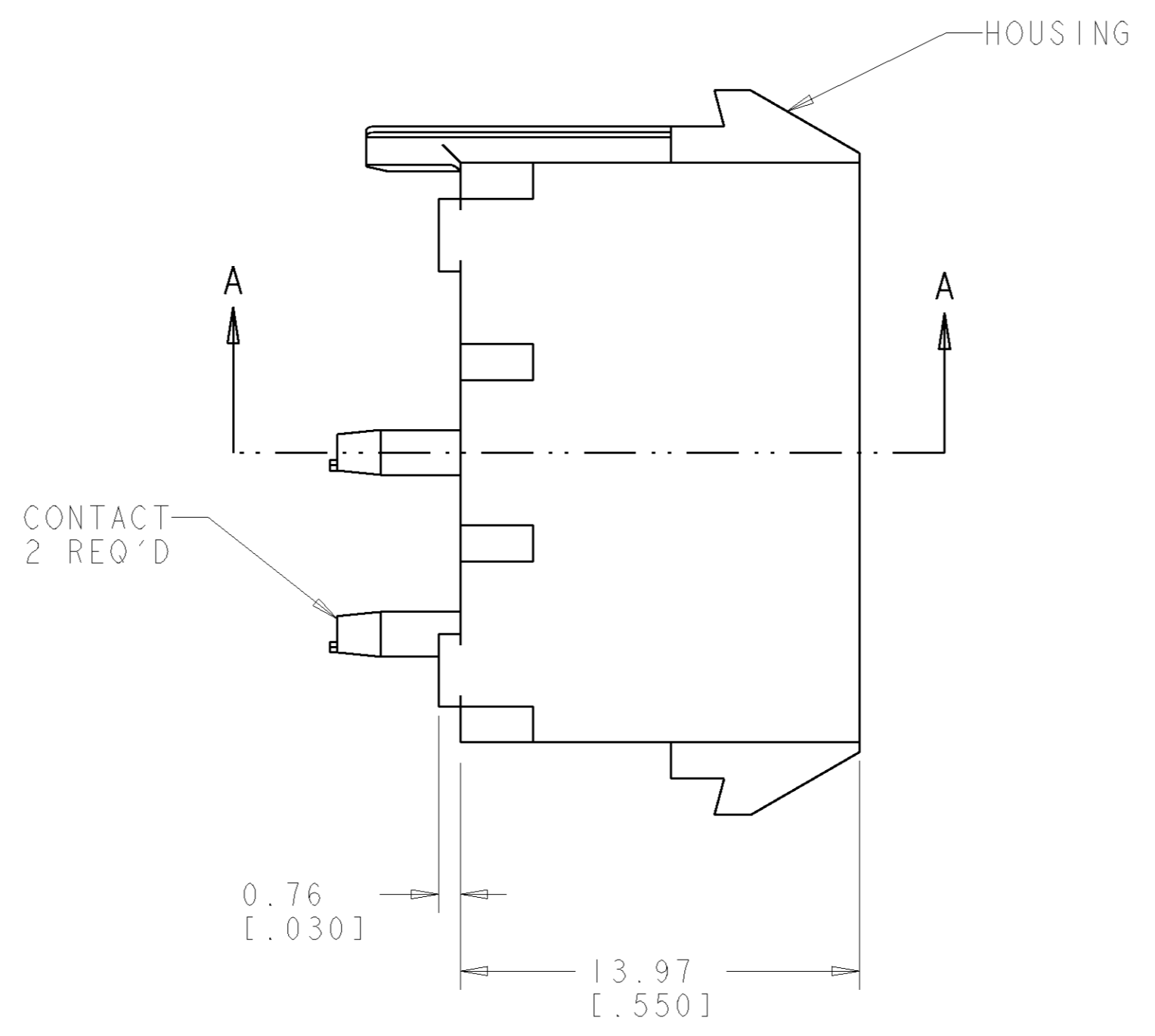
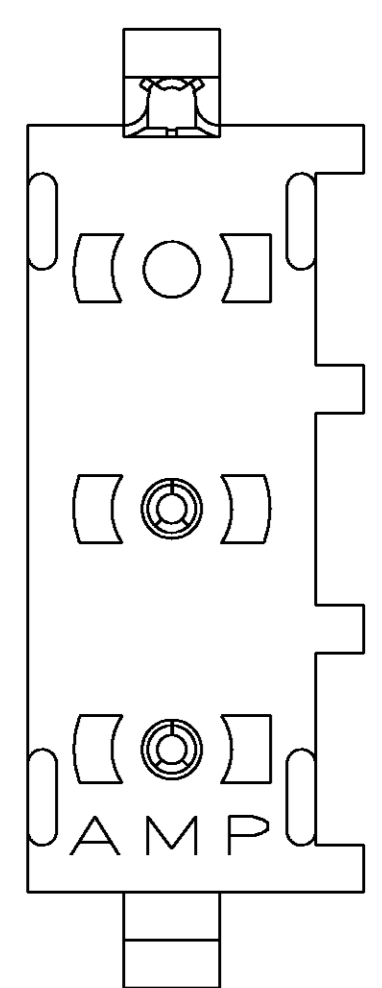


LOC		DIST		REVISIONS			
CM	00	P	LTR	DESCRIPTION	DATE	DWN	APVD
		0		RELEASED PER 0638-0526-04	18JUN04	KW	SR

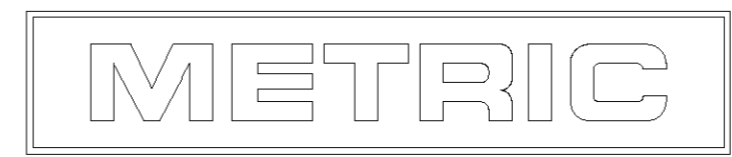
- PARTS COMPLY TO AMP SOLDERABILITY SPECIFICATION 109-111-3.
- CIRCUIT IDENTIFICATION CHARACTERS ARE ADJACENT TO THE INDICATED CAVITIES, BUT LOCATION AND ORIENTATION MAY DIFFER FROM PRINT.
- DIMENSIONS IN BRACKETS ARE IN INCHES.



3 DIMENSIONAL MODEL  
SCALE 4:1

1	PHOSPOR BRONZE, PRE-TIN	NYLON, UL94V-2, NATURAL	1586395-1
OMITTED CONTACT NO	CONTACT MATERIAL AND FINISH	HOUSING MATERIAL AND COLOR	PART NUMBER

DIMENSIONS: mm [ INCHES ]	TOLERANCES UNLESS OTHERWISE SPECIFIED:	DWN R. WHITAKER 05-FEB-04	Tyco Electronics Harrisburg, PA 17105-3608
	0 PLC ± 1 PLC ± 2 PLC ±0.13(.005) 3 PLC ± 4 PLC ± ANGLES 40°±30°	ENR S. RIDGILL 05-FEB-04 APVD S. RIDGILL 05-FEB-04	
MATERIAL SEE TABLE	FINISH SEE TABLE	PRODUCT SPEC APPLICATION SPEC WEIGHT CUSTOMER DRAWING	NAME SOCKET HEADER ASSEMBLY, POLARIZED, 3 CIRCUIT, SELECTIVELY LOADED, UNIVERSAL MATE-N-LOK™ SIZE CAGE CODE DRAWING NO A1 00779 C=1586395 RESTRICTED TO SCALE 5:1 SHEET 1 OF 1 REV 0



# Mouser Electronics

Authorized Distributor

Click to View Pricing, Inventory, Delivery & Lifecycle Information:

[TE Connectivity:](#)

[1586395-1](#)