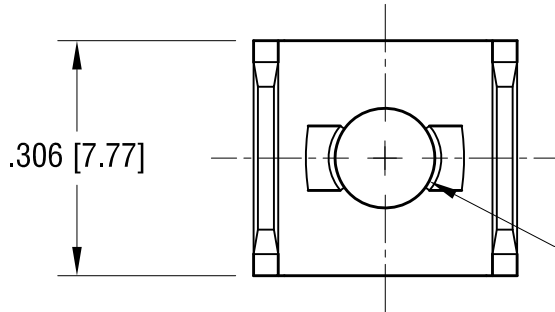
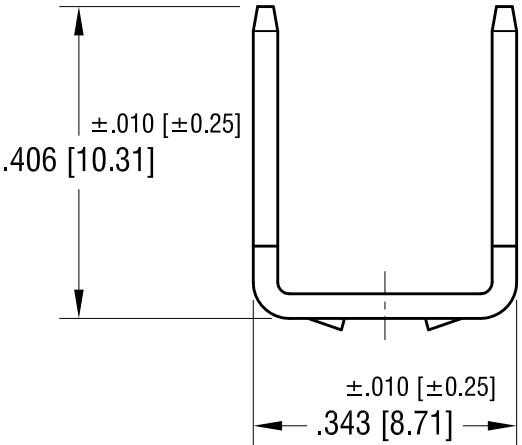
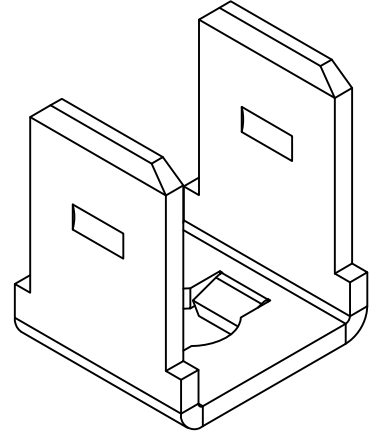


THIS DOCUMENT IS THE PROPERTY OF
KEYSTONE ELECTRONICS CORP. AND
SHALL NOT BE REPRODUCED, DISTRIBUTED
OR USED AS A BASIS FOR MANUFACTURE
WITHOUT PRIOR WRITTEN PERMISSION
FROM KEYSTONE ELECTRONICS CORP.

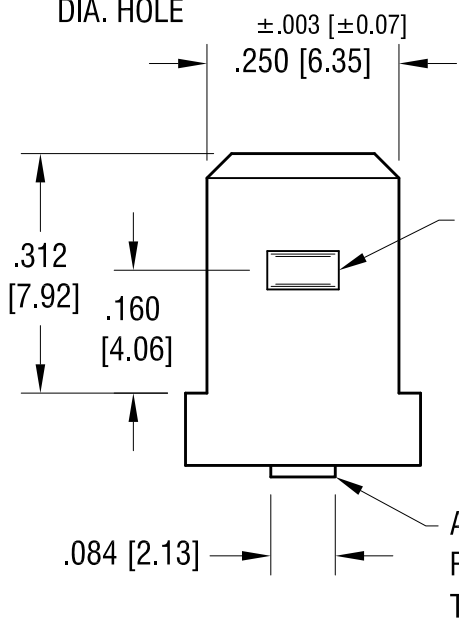


$\pm .003$ [± 0.07]
 $\varnothing .130$ [$\varnothing 3.30$]
DIA. HOLE



$\pm .010$ [± 0.25]

$\pm .010$ [± 0.25]



$\pm .003$ [± 0.07]

INDENT
(4) PLS

ANTI-
ROTATION
TAB (2) PLS

KEYSTONE ELECTRONICS CORP.

www.keyelco.com • ASTORIA, N.Y. 11105-2017 • Tel (718) 956-8900

PART NAME		.250 QUICK-FIT TERMINAL	
MATERIAL		.032 [0.81] TH'K BRASS	
FINISH	DRN BY	DATE	
MATTE TIN PLATE	NT	7.30.10	
	APP'D	SCALE	
	LN	4X	
TOLERANCES	INCH	[MM]	CODE
DECIMAL	$\pm .005$	[± 0.13]	C
ANGULAR	$\pm 1^\circ$		
UNLESS OTHERWISE SPECIFIED			DWG NO.
			1229

DATE	DESCRIPTION	REV.

Mouser Electronics

Authorized Distributor

Click to View Pricing, Inventory, Delivery & Lifecycle Information:

[Keystone Electronics:](#)

[1229](#)