

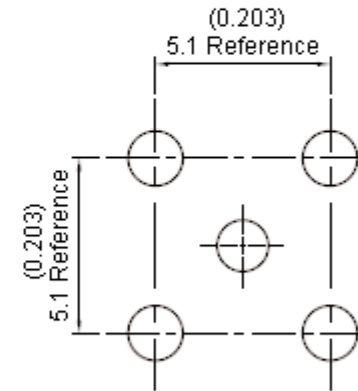
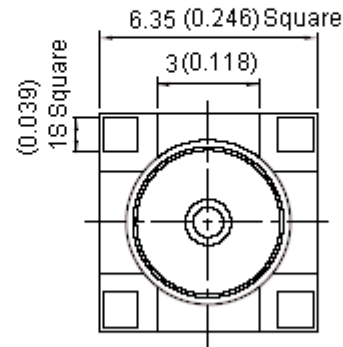
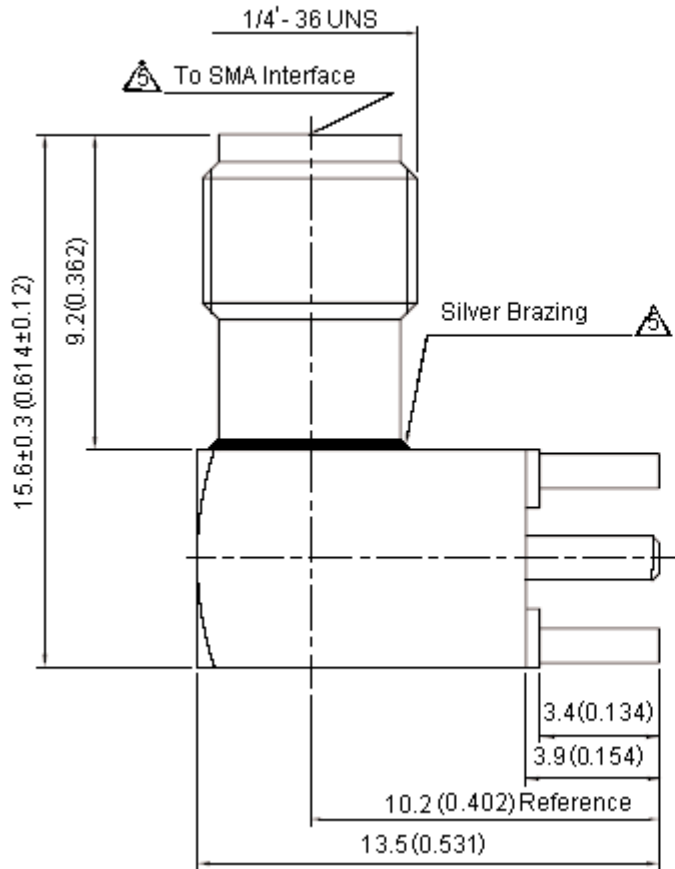


PART NO.

19-49-5-TGG

REVISIONS

ECN #	REV	DESCRIPTION	DRAWN	DATE	CHECKD	DATE	APPRVD	DATE
-	A	RELEASED	Shashi	16/1/12	Jagan	16/1/12		30/1/12



⚠ Minimum mounting  
(1) Ø1.5 (0.059) minimum  
(4) Ø1.6 (0.063) minimum

Dimensions: Millimetres

**Important Notice :** This data sheet and its contents (the "Information") belong to the members of the Premier Farnell group of companies (the "Group") or are licensed to it. No licence is granted for the use of it other than for information purposes in connection with the products to which it relates. No licence of any intellectual property rights is granted. The Information is subject to change without notice and replaces all data sheets previously supplied. The Information supplied is believed to be accurate but the Group assumes no responsibility for its accuracy or completeness, any error in or omission from it or for any use made of it. Users of this data sheet should check for themselves the Information and the suitability of the products for their purpose and not make any assumptions based on information included or omitted. Liability for loss or damage resulting from any reliance on the Information or use of it (including liability resulting from negligence or where the Group was aware of the possibility of such loss or damage arising) is excluded. This will not operate to limit or restrict the Group's liability for death or personal injury resulting from its negligence. Multicomp is the registered trademark of the Group. © Premier Farnell plc 2012.

**TOLERANCES:**

**UNLESS OTHERWISE SPECIFIED, DIMENSIONS ARE FOR REFERENCE PURPOSES ONLY.**

<b>DRAWN BY:</b>	<b>DATE:</b>
Shashi	16/01/12
<b>CHECKED BY:</b>	<b>DATE:</b>
Jagan	16/01/12
<b>APPROVED BY:</b>	<b>DATE:</b>
	30/01/12

**DRAWING TITLE:**

**Jack SMA, Bulkhead, Right Angle**

<b>SIZE</b> A	<b>DWG NO.</b> M10002506	<b>ELECTRONIC FILE</b> 1169632-DWG	<b>REV</b> A
<b>SCALE: NTS</b>		<b>U.O.M.: mm (Inches)</b>	<b>SHEET: 1 OF 2</b>



PART NO.

19-49-5-TGG

REVISIONS

ECN #	REV	DESCRIPTION	DRAWN	DATE	CHECKD	DATE	APPRVD	DATE
-	A	RELEASED	Shashi	16/1/12	Jagan	16/1/12		30/1/12

Specifications:

Electrical:

Frequency range : DC 12.4 GHz  
 Nominal impedance : 50 ohms  
 Maximum working voltage : 500 volts  
 Proof voltage : 1,000 volts  
 Maximum VSWR : 1.23

Material:

Bodies : Brass per JIS-C3604  
 Centre contact : Brass per JIS-C3604  
 : Beryllium copper per ASTM B196 UNS C17300  
 Insulation : Teflon per ASTM D1457 and ASTM D1710

Mechanical:

Interface in accordance with MIL-STD-348A

Environmental:

Operating temperature range : -65°C to +165°C

Specification Table

Item	Description	Material	Finish
1	Chassis	Brass	Gold 3 μ inches (minimum)
2	Insulation	Teflon	None
3	Centre Contact I	Beryllium Copper	Gold 50 μ inches (minimum)
4	Body	Brass	Gold 3 μ inches (minimum)
5	Insulation	Teflon	None
6	Centre Contact II	Brass	Gold 50 μ inches (minimum)
7	Cap		Gold 3 μ inches (minimum)

Part Number Table

Description	Part Number
Jack SMA, Bulkhead, Right Angle	19-49-5-TGG

www.element14.com  
 www.farnell.com  
 www.newark.com

**Important Notice** : This data sheet and its contents (the "Information") belong to the members of the Premier Farnell group of companies (the "Group") or are licensed to it. No licence is granted for the use of it other than for information purposes in connection with the products to which it relates. No licence of any intellectual property rights is granted. The Information is subject to change without notice and replaces all data sheets previously supplied. The Information supplied is believed to be accurate but the Group assumes no responsibility for its accuracy or completeness, any error in or omission from it or for any use made of it. Users of this data sheet should check for themselves the information and the suitability of the products for their purpose and not make any assumptions based on information included or omitted. Liability for loss or damage resulting from any reliance on the Information or use of it (including liability resulting from negligence or where the Group was aware of the possibility of such loss or damage arising) is excluded. This will not operate to limit or restrict the Group's liability for death or personal injury resulting from its negligence. Multicomp is the registered trademark of the Group. © Premier Farnell plc 2012.

<b>TOLERANCES:</b>  <b>UNLESS OTHERWISE SPECIFIED, DIMENSIONS ARE FOR REFERENCE PURPOSES ONLY.</b>	<b>DRAWN BY:</b>	<b>DATE:</b>	<b>DRAWING TITLE:</b>  <b>Jack SMA, Bulkhead, Right Angle</b>			
	Shashi	16/01/12				
	<b>CHECKED BY:</b>	<b>DATE:</b>	<b>SIZE</b>	<b>DWG NO.</b>	<b>ELECTRONIC FILE</b>	<b>REV</b>
	Jagan	16/01/12	A	M10002506	1169632-DWG	A
<b>APPROVED BY:</b>	<b>DATE:</b>	<b>SCALE: NTS</b>		<b>U.O.M.: mm (Inches)</b>	<b>SHEET: 2 OF 2</b>	
	30/01/12					