

TDV SERIES VERTICAL 3-PHASE 3-WIRE FILTERS

COMPONENTS

PART No.	Cx1(uF)	Cx2(uF)	Cy(uF)	L(mH)	R1(M.Ω)	R2(M.Ω)
07TDVST2	2.2	2.2	2.2	2.52	1.0	0.68
16TDVST2				1.70		
30TDVST2				1.00		
42TDVST2	4.4	4.4		0.60		
55TDVST2				0.60		
75TDVST2				0.45		
100TDVST2	6.6	6.6	0.30	1.5		

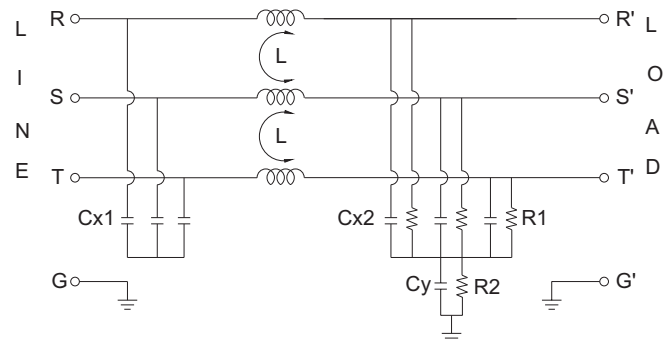
MINIMUM INSERTION LOSS IN dB

COMMONMODE(L-G) IN 50 OHM SYSTEM						
PART NO.	FREQUENCY-MHz					
	.15	.50	1.0	5.0	10	30
07TDVST2	50	70	65	50	40	20
16TDVST2	50	50	50	45	30	20
30TDVST2	50	55	50	45	30	15
42TDVST2	45	50	50	30	25	10
55TDVST2	45	60	55	35	30	10
75TDVST2	40	55	50	25	18	7
100TDVST2	35	50	45	25	15	7
DIFFERENTIALMODE(L-L) IN 50 OHM SYSTEM						
07TDVST2	45	60	70	50	40	40
16TDVST2	45	45	50	40	35	30
30TDVST2	45	45	45	45	45	25
42TDVST2	35	50	50	40	40	20
55TDVST2	40	55	55	50	50	20
75TDVST2	40	45	45	40	40	5
100TDVST2	30	35	35	35	30	7

INTRODUCTIONS

1. Applications: Electric equipment, UPS, machine tool, copy machine, automation equipment, robot, AC motor drive
2. Voltage rating: 480VAC
3. Operating frequency: 50/60Hz

ELECTRICAL SCHEMATIC

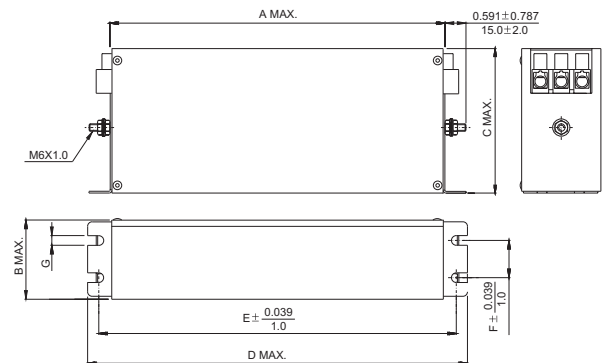


MECHANICAL CONSTRUCTION



SERIES DIMENSIONS

PART NO.	DIMENSIONS IN INCHES/mm						
	A	B	C	D	E	F	G
07TDVST2	6.378	1.654	2.835	7.559	7.087	0.787	0.213 5.4
	162.0	42.0		192.0	180.0	20.0	
16TDVST2	8.740	1.850	72.0	9.921	9.252	0.984	
	222.0	47.0		252.0	235.0	25.0	
30TDVST2	9.528	2.047	3.425	10.709	10.039	1.181	
	242.0			272.0	255.0		
42TDVST2	11.102	52.0	87.0	12.283	11.614	30.0	
	282.0			312.0	295.0		
55TDVST2	8.740	3.425	3.622	9.921	9.252	2.362	
	222.0	87.0	92.0	252.0	235.0		
75TDVST2	9.528	3.622	5.394	10.709	10.039	60.0	
	242.0	92.0	137.0	272.0	255.0		
100TDVST2	9.449	3.543	5.906	10.63	10.039	2.559	
	240.0	90.0	150.0	270.0	255.0		



UNIT: INCH
mm

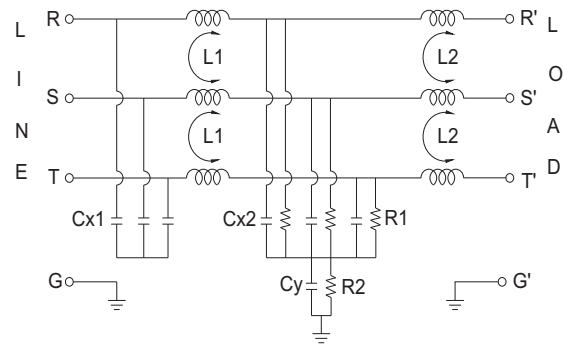
COMPONENTS

PART No.	Cx1 (uF)	Cx2 (uF)	Cx3 (uF)	Cy (uF)	L1 (mH)	L2 (uH)	R1 (MΩ)	R2 (MΩ)
07TDVST2-1	3.3	3.3	-	3.3	2.52	4.5	1M	680K
16TDVST2-1		2.2	3.3		1.77	9		
30TDVST2-1		3.3	-		1.1			
42TDVST2-1	10	3.3	-	3.3	0.6	8	680K	680K
55TDVST2-1					1.3			
75TDVST2-1					0.9			
100TDVST2-1					0.5			
130TDVST2-1					0.4			
180TDVST2-1								

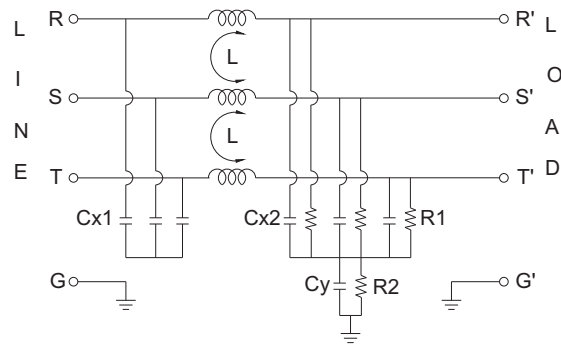
INTRODUCTIONS

1. Applications: Electric equipment, UPS, machine tool, copy machine, automation equipment, robot, AC motor drive
2. Voltage rating: 480VAC
3. Operating frequency: 50/60Hz

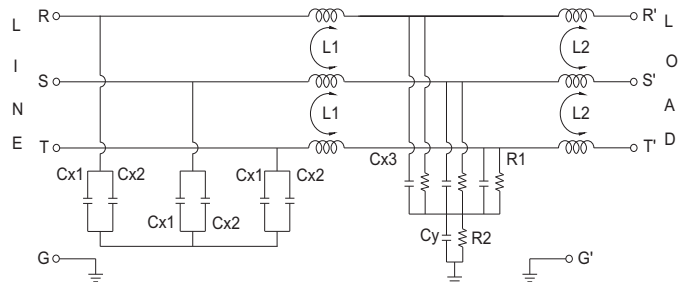
ELECTRICAL SCHEMATIC



07/42/55/75/100/130TDVST2-1



180TDVST2-1 ONLY



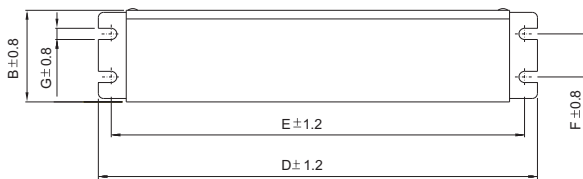
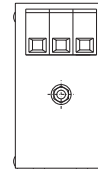
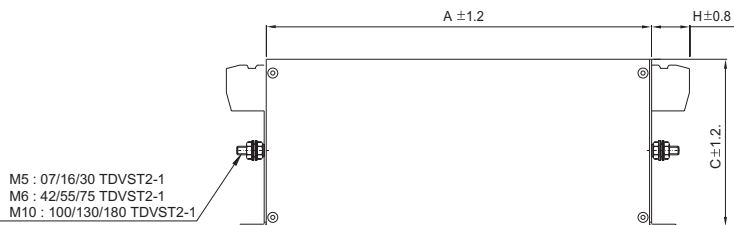
16/30TDVST2-1

MINIMUM INSERTION LOSS IN dB

PART NO.	COMMONMODE(L-G) IN 50 OHM SYSTEM					
	FREQUENCY-MHz					
	.15	.50	1.0	5.0	10	30
07TDVST2-1	55	70	60	45	30	15
16TDVST2-1	50	65	55	40	35	20
30TDVST2-1	50	60	55	35	35	10
42TDVST2-1	50	55	50	30	20	10
55TDVST2-1	55	65	50	30	20	5
75TDVST2-1	55	60	50	20	10	5
100TDVST2-1	50	65	50	20	10	5
130TDVST2-1	45	65	50	35	15	5
180TDVST2-1	40	60	45	30	20	5
	DIFFERENTIALMODE(L-L) IN 50 OHM SYSTEM					
07TDVST2-1	45	50	45	40	40	20
16TDVST2-1	55	55	50	40	40	35
30TDVST2-1	45	40	35	35	35	20
42TDVST2-1	55	40	30	20	20	10
55TDVST2-1	60	55	45	40	35	5
75TDVST2-1	60	60	50	40	20	5
100TDVST2-1	50	50	45	35	25	5
130TDVST2-1	40	55	45	30	30	5
180TDVST2-1	45	40	35	20	20	10

SERIES DIMENSIONS

PARTNO.	DIMENSIONS IN INCHES/mm							
	A	B	C	D	E	F	G	H
07TDVST2-1	$\frac{6.299}{160.0}$	$\frac{1.575}{40.0}$	$\frac{2.756}{70.0}$	$\frac{7.48}{190.0}$	$\frac{7.087}{180.0}$	$\frac{0.787}{20.0}$	$\frac{0.177}{4.5}$	$\frac{0.965}{24.5}$
16TDVST2-1	$\frac{8.661}{220.0}$	$\frac{1.772}{45.0}$	70.0	$\frac{9.843}{250.0}$	$\frac{9.252}{235.0}$	$\frac{0.984}{25.0}$	0.213 5.4	
30TDVST2-1	$\frac{9.449}{240.0}$	1.969	3.346	$\frac{10.63}{270.0}$	$\frac{10.039}{255.0}$	1.181		
42TDVST2-1	$\frac{11.024}{280.0}$	50.0	85.0	$\frac{12.205}{310.0}$	$\frac{11.614}{295.0}$	30.0	1.693 43.0	
55TDVST2-1	$\frac{8.661}{220.0}$	$\frac{3.927}{100.0}$	$\frac{3.543}{90.0}$	$\frac{9.843}{250.0}$	$\frac{9.252}{235.0}$	2.362		1.949 49.5
75TDVST2-1	$\frac{9.449}{240.0}$	$\frac{3.543}{90.0}$	$\frac{5.315}{135.0}$	$\frac{10.63}{270.0}$	$\frac{10.039}{255.0}$	60.0	0.256 6.5	
100TDVST2-1		$\frac{4.331}{110.0}$	$\frac{5.906}{150.0}$			$\frac{2.559}{65.0}$		
130TDVST2-1	$\frac{13.78}{350.0}$	$\frac{5.512}{140.0}$	$\frac{6.693}{170.0}$	$\frac{14.961}{380.0}$	$\frac{14.37}{365.0}$	$\frac{4.016}{102.0}$		
180TDVST2-1								



UNIT: $\frac{\text{INCH}}{\text{mm}}$

MECHANICAL CONSTRUCTION



Mouser Electronics

Authorized Distributor

Click to View Pricing, Inventory, Delivery & Lifecycle Information:

Delta Electronics:

[75TDVST2](#) [07TDVST2](#) [100TDVST2](#) [42TDVST2](#) [55TDVST2](#) [16TDVST2](#) [30TDVST2](#) [07TDVST2-1](#) [100TDVST2-1](#)
[130TDVST2-1](#) [16TDVST2-1](#) [180TDVST2-1](#) [30TDVST2-1](#) [42TDVST2-1](#) [55TDVST2-1](#) [75TDVST2-1](#)