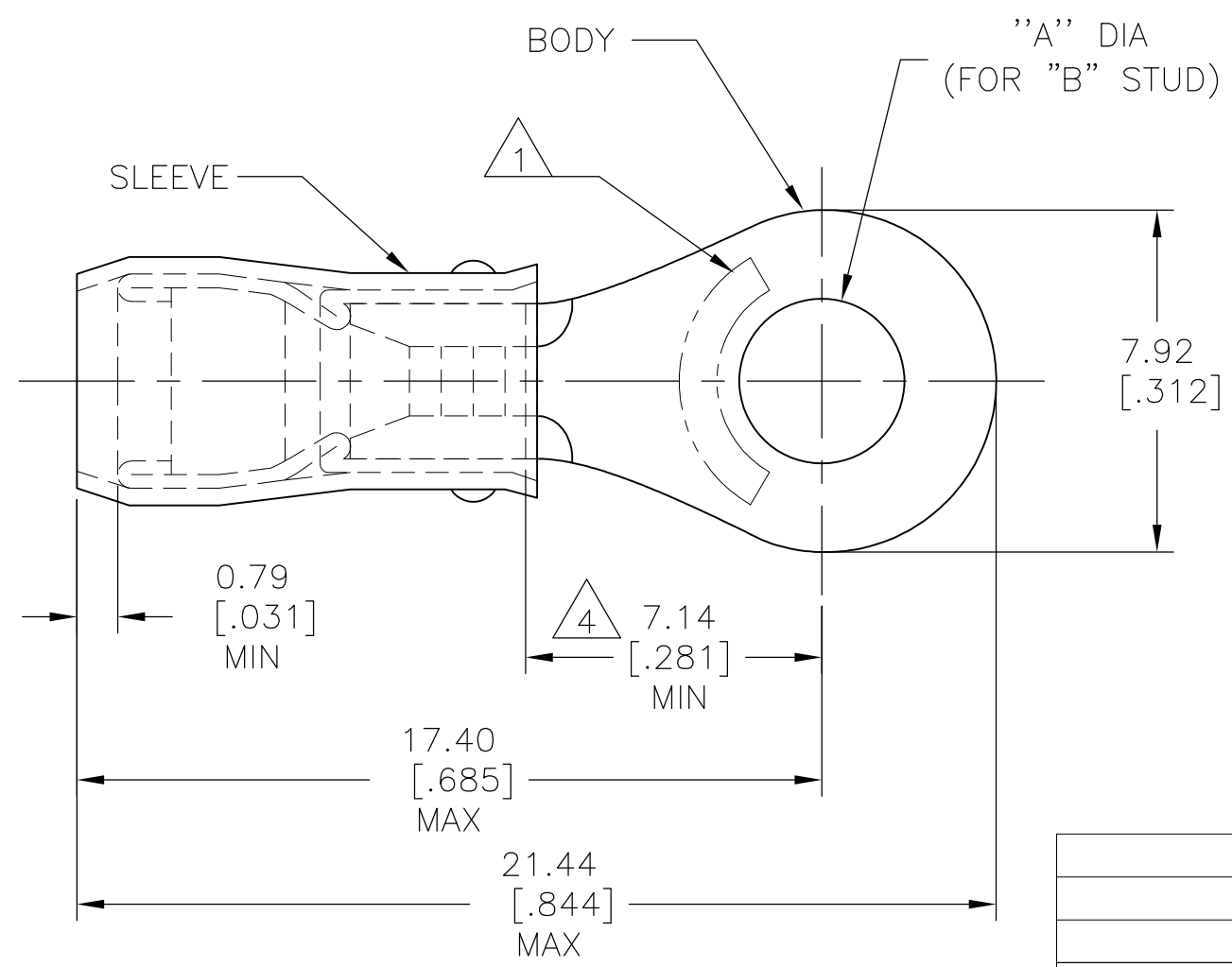


THIS DRAWING IS UNPUBLISHED. RELEASED FOR PUBLICATION  
 © COPYRIGHT - By - ALL RIGHTS RESERVED.

LOC	DIST	REVISIONS					
		P	LTR	DESCRIPTION	DATE	DWN	APVD
-	-		AC1	REVISED PER ECO-16-001584	04FEB2016	NK	DR

<b>AMP</b> WIRE RANGE	E13288 Listed	LR7189 Certified
16-14 AWG SOLID OR STRANDED	16-14 AWG SOLID OR STRANDED	16-14 AWG SOLID OR STRANDED



- 1 STAMP AMP 16-14\* APPROX AS SHOWN.
- 2 WIRE INSULATION DIA: 2.67-3.81[.105-.150].
- 3 TONGUE MATERIAL THK: 0.79±0.05[.031±.002].
- 4 APPLIES FROM EDGE OF METAL WIRE BARREL TO CENTER OF STUD HOLE

-	10	5.00±0.08[.197±.003]	100	LOOSE PIECE, BOX	5-51864-1
-	8	4.34±0.08[.171±.003]	100	LOOSE PIECE, BOX	4-51864-1
-	6	3.68±0.08[.145±.003]	100	LOOSE PIECE, BOX	3-51864-1
MS25036-153 CLASS 2	8	4.34±0.08[.171±.003]	5000	ON TAPE, REEL	51864-5
MS25036-108 CLASS 2	10	5.00±0.08[.197±.003]	5000	ON TAPE, REEL	51864-4
MS25036-107 CLASS 2	6	3.68±0.08[.145±.003]	5000	ON TAPE, REEL	51864-3
MS25036-108 CLASS 1 & 2	10	5.00±0.08[.197±.003]	1000	LOOSE PIECE	51864-2
MS25036-153 CLASS 1 & 2	8	4.34±0.08[.171±.003]	1000	LOOSE PIECE	51864-1
MS25036-107 CLASS 1 & 2	6	3.68±0.08[.145±.003]	1000	LOOSE PIECE	51864
MILITARY P/N AND CLASS	"B"	DIM "A"	QUANTITY	PACKAGE TYPE	PART NO

**AMP INCORPORATED**  
**CUSTOMER SERVICE SYSTEMS**

FOR ADDITIONAL PRODUCT INFORMATION OR COPIES OF DRAWINGS AND TECHNICAL DOCUMENTS  
 PRODUCT INFORMATION CENTER  
 1-800-522-6752

FOR APPLICATION TOOLING INFORMATION  
 TOOLING ASSISTANCE CENTER  
 1-800-722-1111

FOR ORDER ENTRY  
 1-800-526-5142

MAX RECOMMENDED OPERATING TEMPERATURE:  
 105°C[221°F] MAX

VOLTAGE RATING:  
 300 V MAX

CIRCULAR MIL AREA:  
 1.04-2.62mm<sup>2</sup>[2050-5180] CIR MILS  
 SOLID OR STRANDED

THIS DRAWING IS A CONTROLLED DOCUMENT.

DIMENSIONS:  
 mm [INCHES]

TOLERANCES UNLESS OTHERWISE SPECIFIED:  
 0 PLC ± -  
 1 PLC ± -  
 2 PLC ± 0.20[.008]  
 3 PLC ± -  
 4 PLC ± -  
 ANGLES ± -

MATERIAL  
 COPPER PER ASTM B-152  
 SLEEVE, BLUE NYLON

FINISH  
 TIN PLATE  
 PER ASTM B545

DWN JR RUTH 27OCT99  
 CHK RE HERSEY 27OCT99  
 APVD C PRESNELL 27OCT99  
 PRODUCT SPEC  
 UL 486A  
 APPLICATION SPEC  
 WEIGHT -

**STE** TE Connectivity

NAME  
 TERMINAL, RING TONGUE, PIDG,<sup>TM</sup>  
 WIRE SIZE, 16-14 AWG

SIZE A3 CAGE CODE 00779 DRAWING NO C-51864 RESTRICTED TO -

CUSTOMER DRAWING SCALE NTS SHEET 1 OF 2 REV AC1

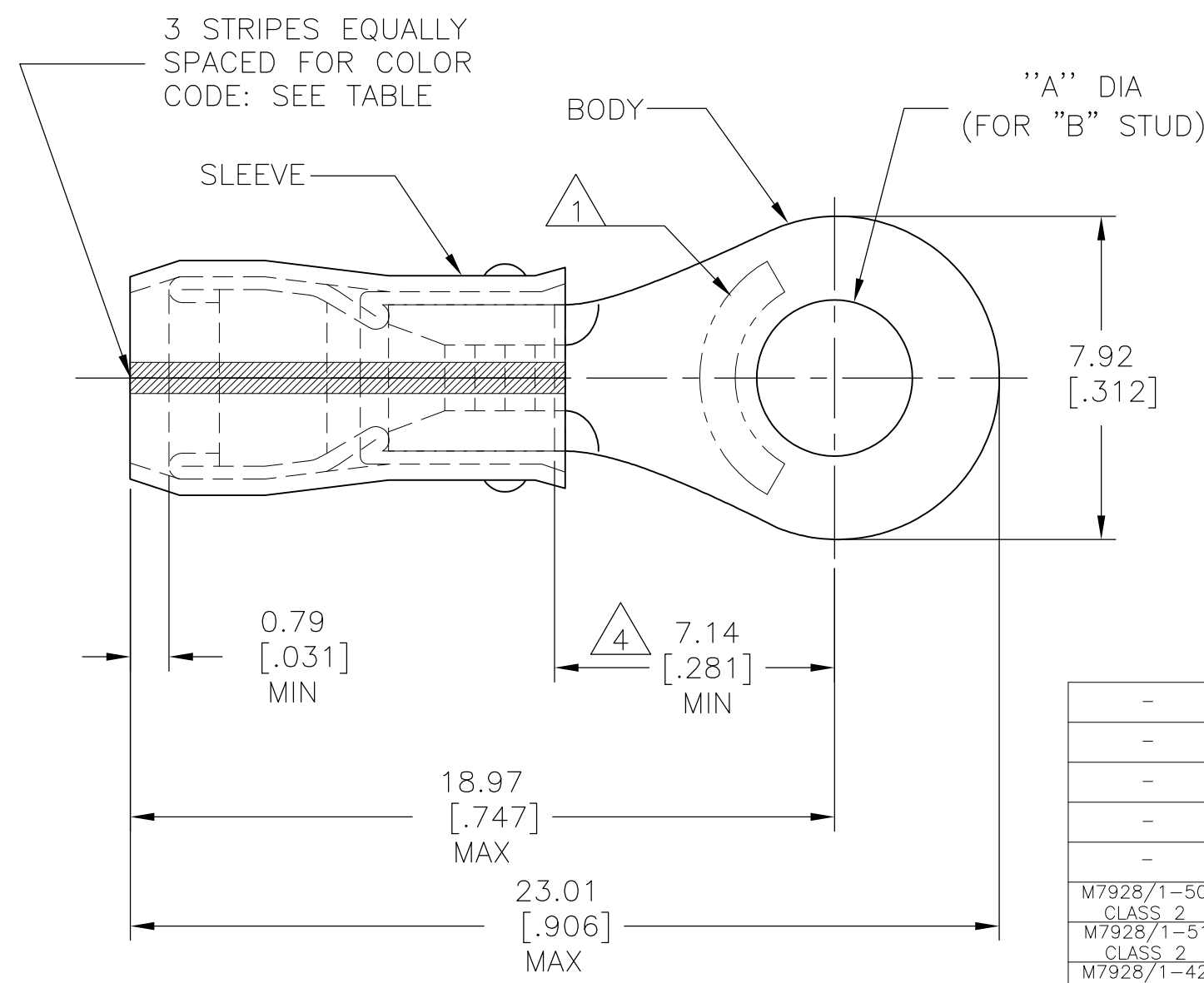
THIS DRAWING IS UNPUBLISHED. RELEASED FOR PUBLICATION  
 © COPYRIGHT - By - ALL RIGHTS RESERVED.

LOC	DIST	REVISIONS					
		P	LTR	DESCRIPTION	DATE	DWN	APVD
-	-	-	-	SEE SHEET 1	-	-	-

**AMP**  
WIRE RANGE

---

SEE TABLE  
STRANDED



- 1 STAMP AMP [ ] APPROX AS SHOWN SEE TABLE BELOW.
- 2 WIRE INSULATION DIA: 1.60-3.30 [.063-.130] FOR 16 AWG, 1.98-3.30 [.078-.130] FOR 14 AWG.
- 3 TONGUE MATERIAL THK: 0.79±0.05 [.031±.002].
- 4 APPLIES FROM EDGE OF METAL WIRE BARREL TO CENTER OF STUD HOLE

-	GREEN	14*	14	8	4.34±0.08 [.171±.003]	100	LOOSE PIECE, BOX	9-51864-5
-	GREEN	14*	14	10	5.00±0.08 [.197±.003]	100	LOOSE PIECE, BOX	9-51864-1
-	GREEN	14*	14	6	3.68±0.08 [.145±.003]	100	LOOSE PIECE, BOX	8-51864-1
-	BLUE	16*	16	10	5.00±0.08 [.197±.003]	100	LOOSE PIECE, BOX	7-51864-1
-	BLUE	16*	16	6	3.68±0.08 [.145±.003]	100	LOOSE PIECE, BOX	6-51864-1
M7928/1-50 CLASS 2	GREEN	14*	14	8	4.34±0.08 [.171±.003]	5000	ON TAPE, REEL	1-51864-7
M7928/1-51 CLASS 2	GREEN	14*	14	10	5.00±0.08 [.197±.003]	5000	ON TAPE, REEL	1-51864-5
M7928/1-42 CLASS 2	BLUE	16*	16	10	5.00±0.08 [.197±.003]	5000	ON TAPE, REEL	1-51864-3
<del>M7928/1-40 CLASS 2</del>	<del>BLUE</del>	<del>16*</del>	<del>16</del>	<del>6</del>	<del>3.68±0.08 [.145±.003]</del>	<del>5000</del>	<del>ON TAPE, REEL</del>	<del>1-51864-2</del>
M7928/1-50 CLASS 1 & 2	GREEN	14*	14	8	4.34±0.08 [.171±.003]	1000	LOOSE PIECE	1-51864-1
M7928/1-41 CLASS 1 & 2	BLUE	16*	16	8	4.34±0.08 [.171±.003]	1000	LOOSE PIECE	1-51864-0
M7928/1-51 CLASS 1 & 2	GREEN	14*	14	10	5.00±0.08 [.197±.003]	1000	LOOSE PIECE	51864-9
M7928/1-49 CLASS 1 & 2	GREEN	14*	14	6	3.68±0.08 [.145±.003]	1000	LOOSE PIECE	51864-8
M7928/1-42 CLASS 1 & 2	BLUE	16*	16	10	5.00±0.08 [.197±.003]	1000	LOOSE PIECE	51864-7
M7928/1-40 CLASS 1 & 2	BLUE	16*	16	6	3.68±0.08 [.145±.003]	1000	LOOSE PIECE	51864-6
MILITARY P/N AND CLASS	STRIPE COLOR	1	WIRE SIZE	"B"	DIM "A"	QUANTITY	PACKAGE TYPE	PART NO

<b>AMP INCORPORATED CUSTOMER SERVICE SYSTEMS</b>		MAX RECOMMENDED OPERATING TEMPERATURE: 105°C [221°F] MAX	THIS DRAWING IS A CONTROLLED DOCUMENT.		DWN JR RUTH 27OCT99	<b>STE</b> TE Connectivity			
FOR ADDITIONAL PRODUCT INFORMATION OR COPIES OF DRAWINGS AND TECHNICAL DOCUMENTS	PRODUCT INFORMATION CENTER 1-800-522-6752	VOLTAGE RATING: 300 V MAX	DIMENSIONS: mm [INCHES]	TOLERANCES UNLESS OTHERWISE SPECIFIED:	CHK RE HERSEY 27OCT99				NAME
FOR APPLICATION	TOOLING ASSISTANCE CENTER 1-800-722-1111	WIRE RANGE: 16 14	CIRC MIL AREA: 1.42mm² [2800] 2.15mm² [4234]	0 PLC ± - 1 PLC ± - 2 PLC ± 0.20 [.008] 3 PLC ± - 4 PLC ± - ANGLES ± -	APVD C PRESNELL 27OCT99	TERMINAL, RING TONGUE, I.R., PIDG™, WIRE SIZE, 16-14AWG			
TOOLING INFORMATION	1-800-722-1111	STRANDED			PRODUCT SPEC	SIZE	CAGE CODE	DRAWING NO	RESTRICTED TO
FOR ORDER ENTRY	1-800-526-5142		MATERIAL COPPER PER ASTM B-152 SLEEVE, BLUE NYLON	FINISH TIN PLATE PER ASTM B545	APPLICATION SPEC	NOT AVAILABLE	A300779	C-51864	
					WEIGHT -	CUSTOMER DRAWING			SCALE NTS SHEET 2 OF 2 REV AC1

# Mouser Electronics

Authorized Distributor

Click to View Pricing, Inventory, Delivery & Lifecycle Information:

[TE Connectivity:](#)

[1-51864-7](#)