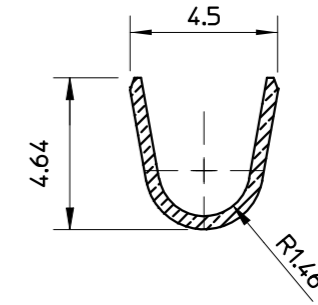
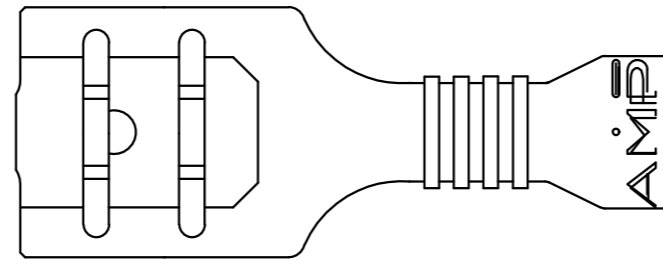


SECTION A-A




SECTION B-B



NOTE:  
1. THE FIRST INSERTION SHALL NOT BE MORE THAN 60N FOR 190538-1,-2, 80N FOR 190538-4,-7

	-	PRE TIN	BRASS	190538-7
SUPERSEDED BY -7	-	TIN PLATED	BRASS	190538-4
	-	-	NICKEL SILVER	190538-2
	-	-	BRASS	190538-1
	REMARKS	FINISH	MATERIAL	PART No

WIRE RANGE: 0.5-1.5 sq mm		DATE 23/3/94		CHK W RIEDE		 Australian AMP Pty. Limited Hudson Avenue, CASTLE HILL NSW				
INSULATION RANGE: $\phi$ 2.29-3.3 mm		DR H THAI		APP -						
C ECR-05-016592 B ECN FA 00 0003 95 A ECN 94009		WR 29/11/05 BL 17/5/95 BL 22/2/94		NAME RECEPTACLE, FASTON, 0.250			LOC CODE U			
P	F	LTR	REVISION RECORD	APP	DATE	SCALE AS 4:1 or SHOWN	SIZE A3	DWG No. C-190538	SHEET 1 OF 1	REV C

THIS INFORMATION IS CONFIDENTIAL AND DISCLOSED TO YOU ON CONDITION THAT NO FURTHER DISCLOSURE IS MADE BY YOU TO OTHER THAN AMP PERSONNEL WITHOUT WRITTEN AUTHORIZATION FROM AUSTRALIAN AMP