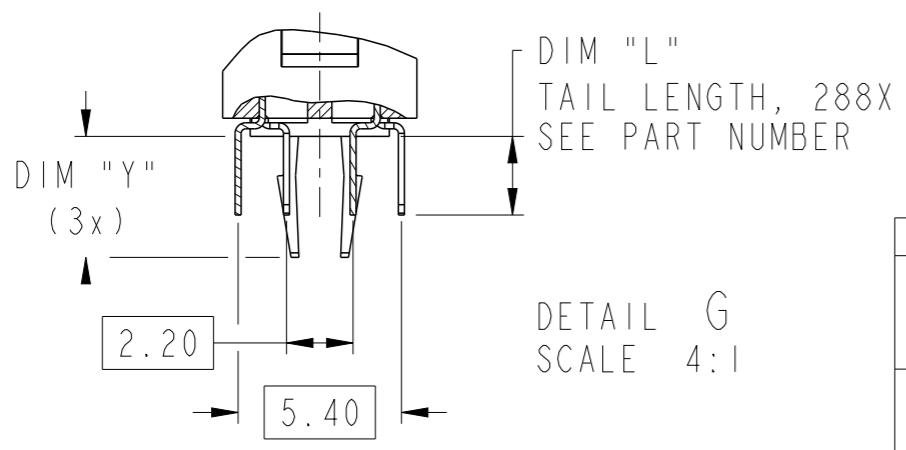
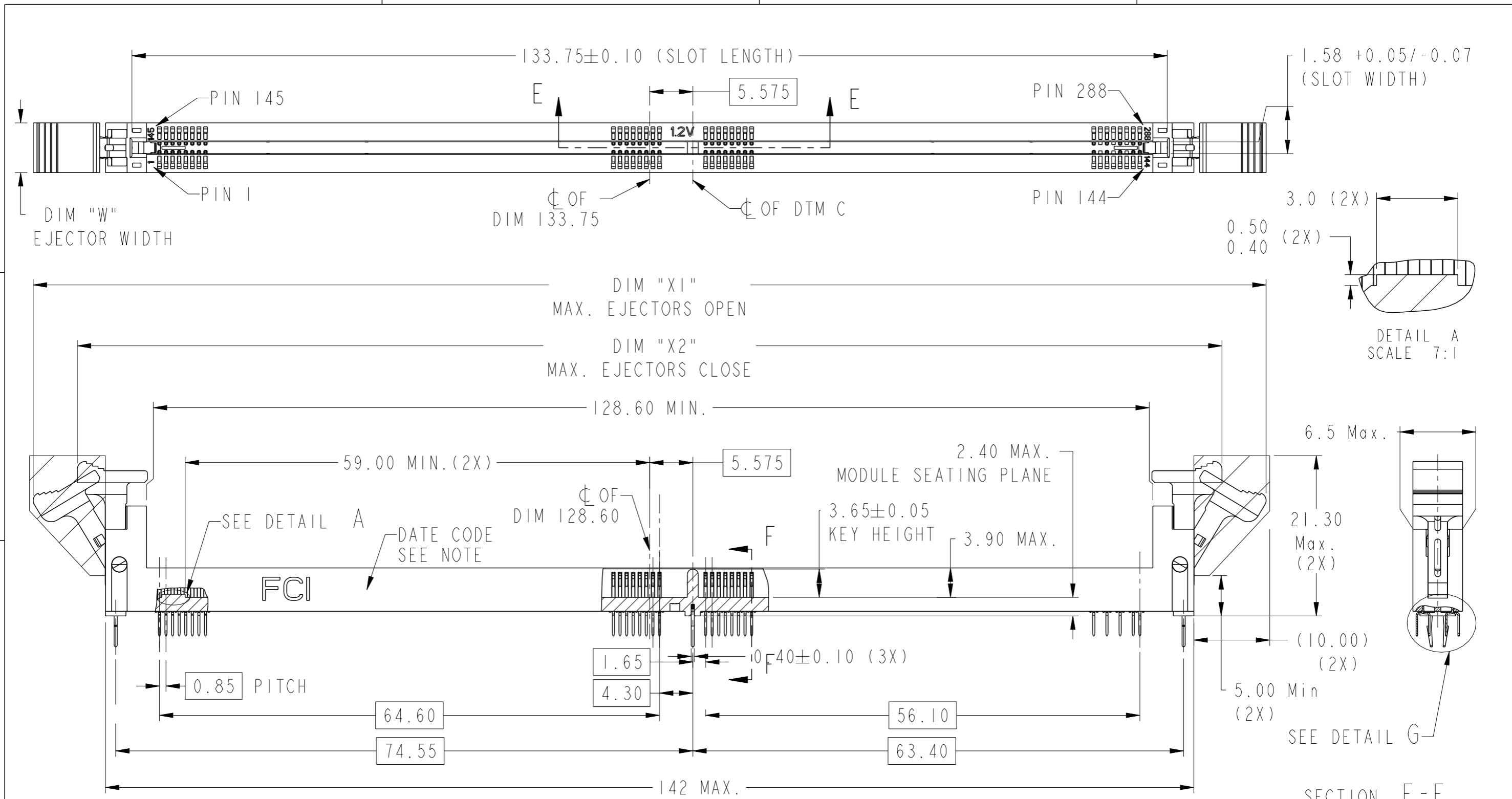


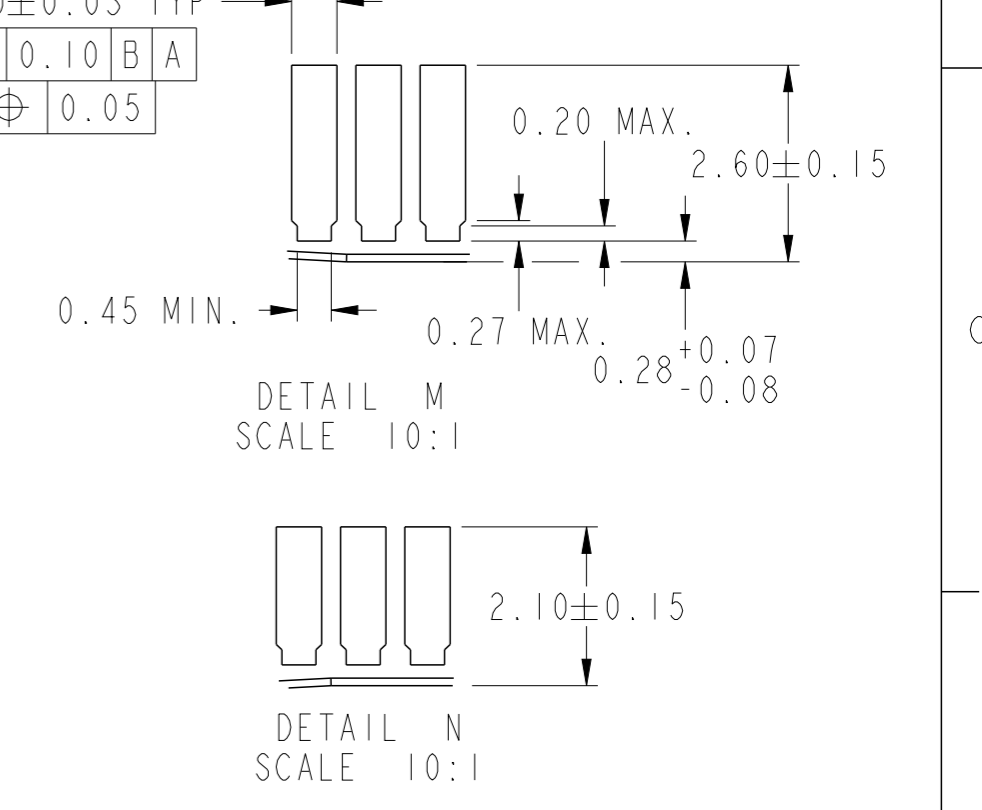
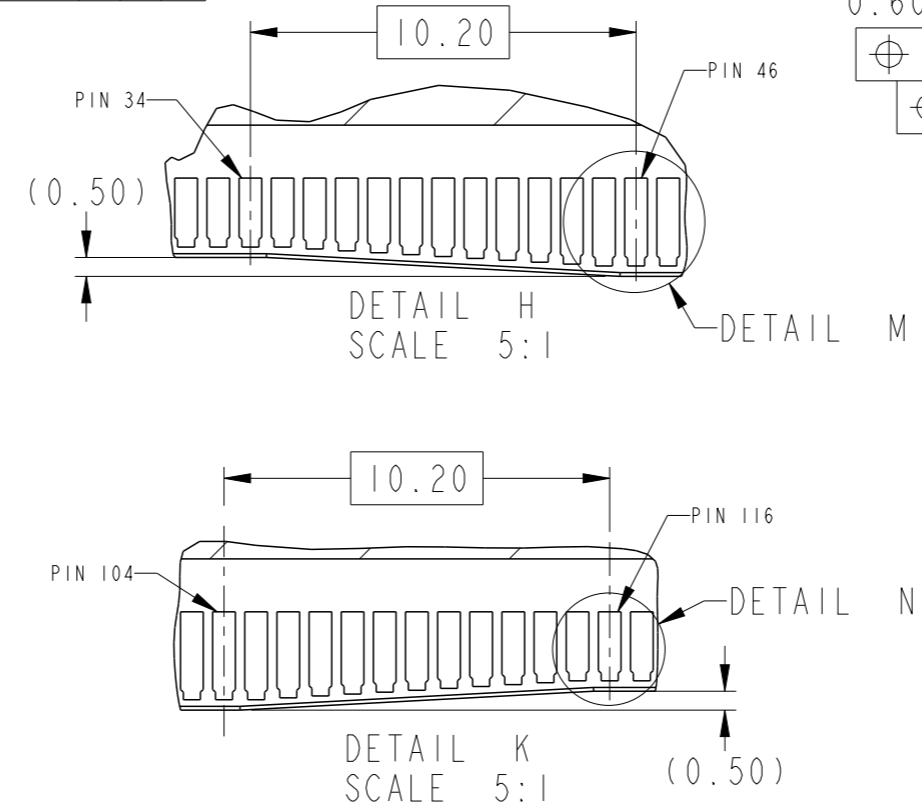
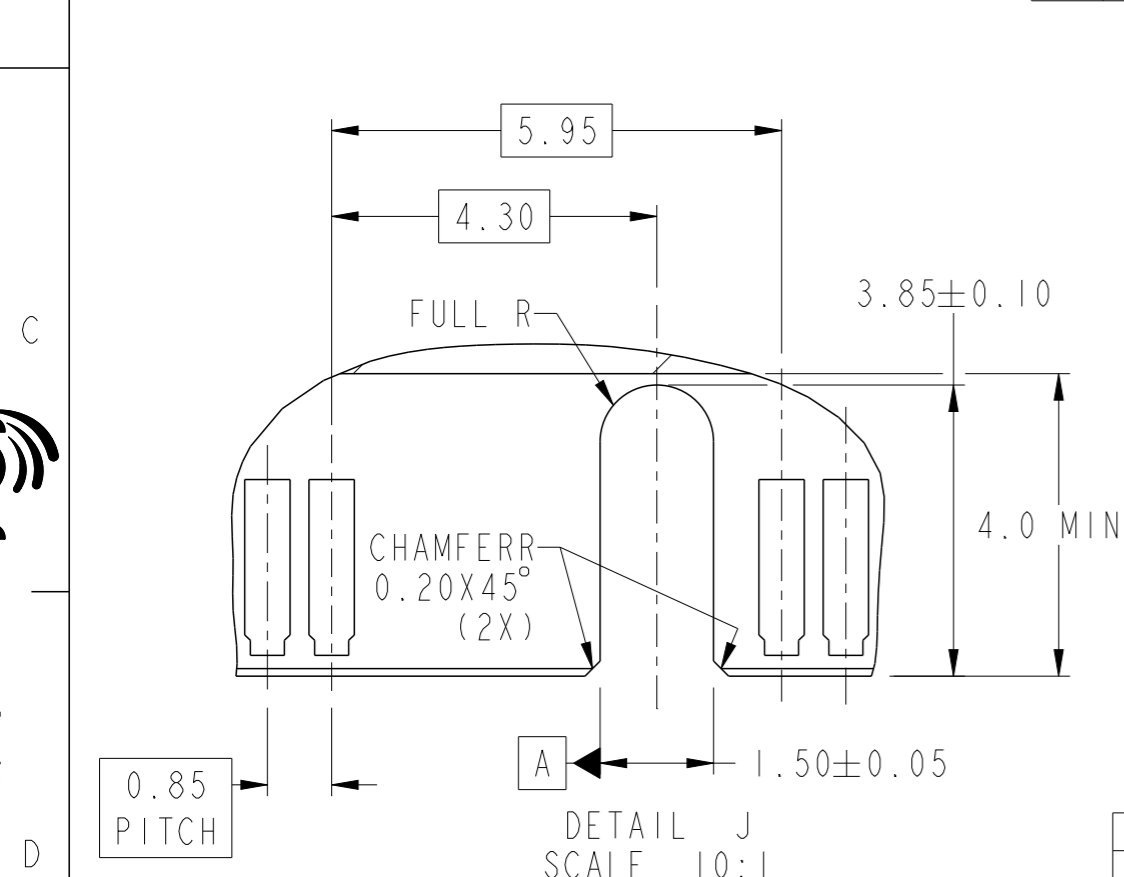
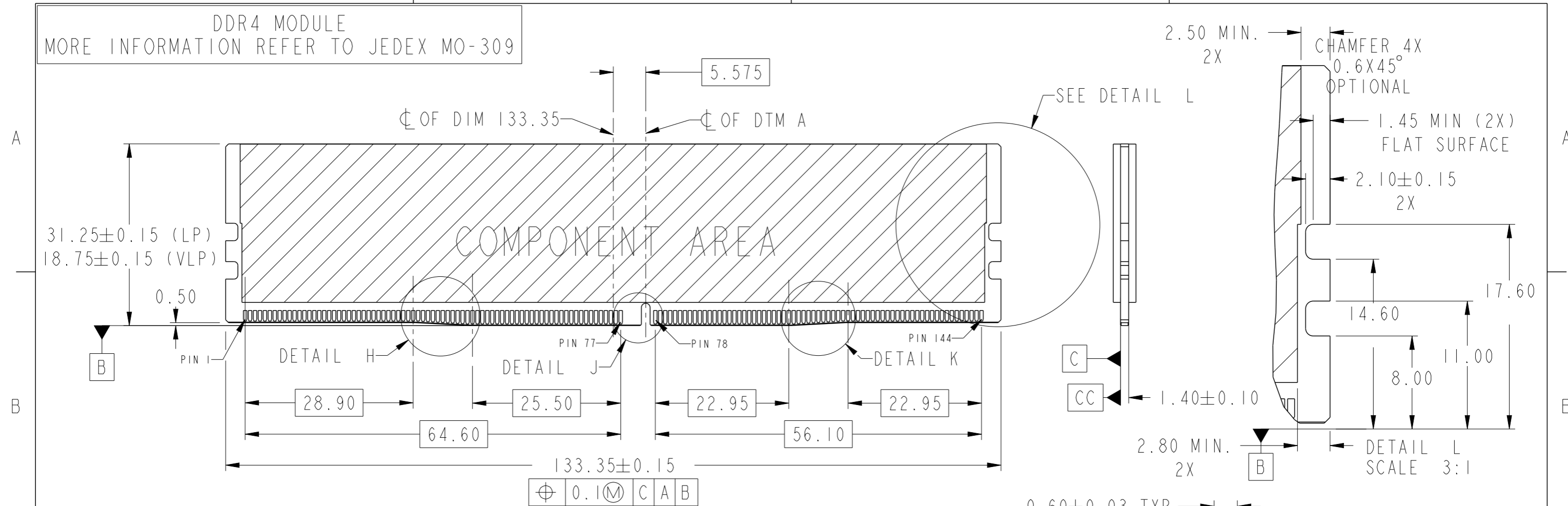


Copyright FCI.



spec ref	dr	Nickor Zuo	2014/02/04	projection	MM	size	A3	scale	7:5
tolerance std	eng	Jeny Ren	2015/07/17			ecn no	ELX-DG-21430-1	rel level	Released
TOLERANCES UNLESS OTHERWISE SPECIFIED		chr	Nickor Zuo						
surface	ISO 1302	linear	0.X	±0.30		product family DDR4 288Pin DIMM CONNECTOR PTH TERMINATION (FOR CISCO)	dwg no 10129040	rev C	
		angular	0°	±2°					cat. no. -

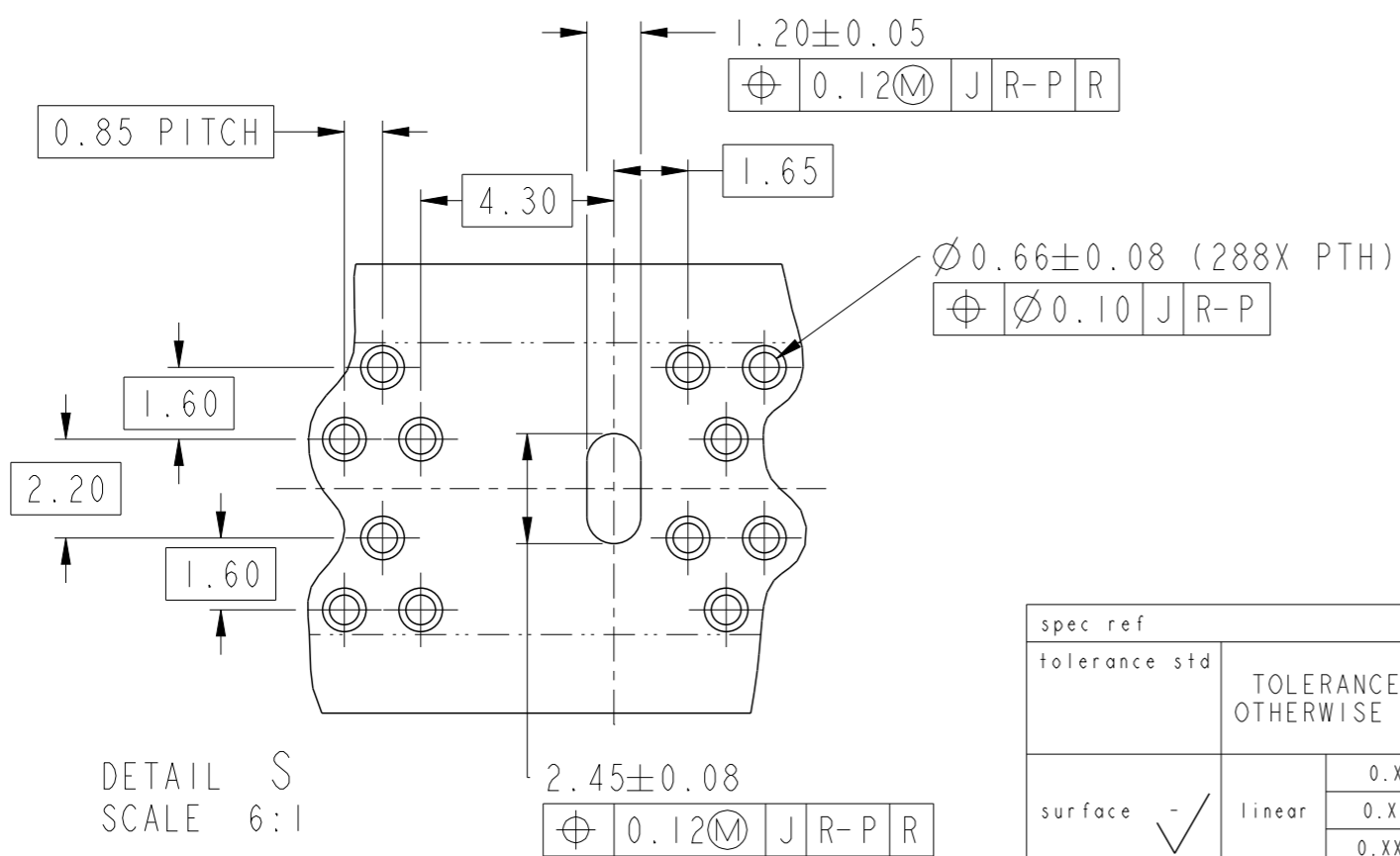
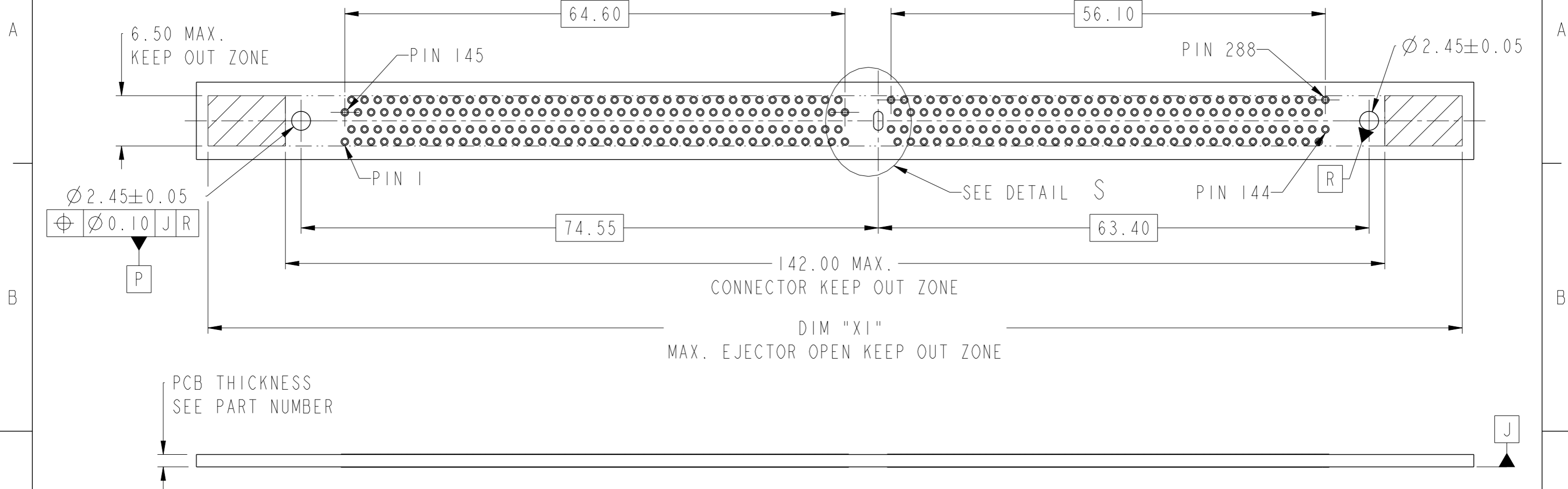
DDR4 MODULE
MORE INFORMATION REFER TO JEDEX MO-309



spec ref	dr	Nickor Zuo	2014/02/04	projection	MM	size	A3	scale	1:1
tolerance std	eng	Jeny Ren	2015/07/17			ecn no	ELX-DG-21430-1		
TOLERANCES UNLESS OTHERWISE SPECIFIED linear 0.X ±0.30 0.XX ±0.20 0.XXX ±0.10 angular 0° ±2°	chr	Nickor Zuo	2015/07/20			product family	-	rel level	Released
	appr	Pei-Ming Zheng	2015/07/20	www.fci.com cat. no. -		Product - Customer Drw sheet 2 of 5			
	surface	ISO 1302		www.fci.com cat. no. -	DDR4 288Pin DIMM CONNECTOR PTH TERMINATION (FOR CISCO)	dwg no 10129040	rev C		

Copyright FCI.

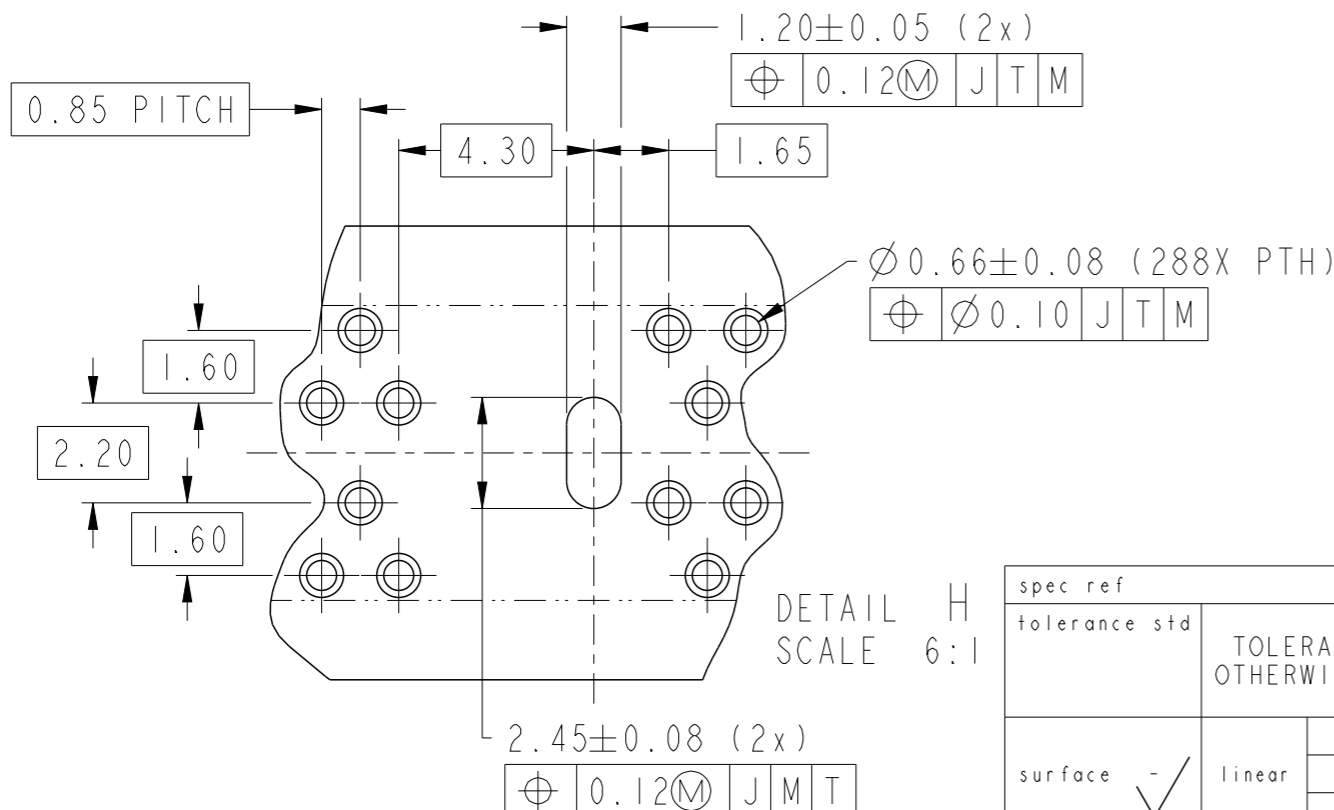
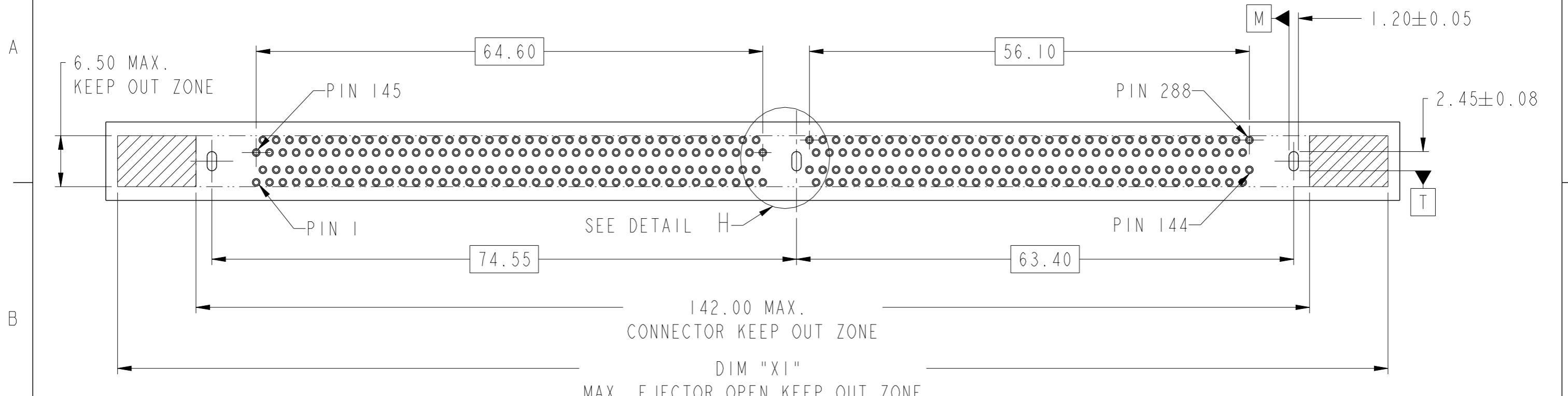
RECOMMENDED PCB LAYOUT OPTION I



DETAIL S
SCALE 6:1

spec ref	dr	Nickor Zuo	2014/02/04	projection	MM	size	A3	scale	2:1
tolerance std	eng	Jeny Ren	2015/07/17			ecn no	ELX-DG-21430-1		
TOLERANCES UNLESS OTHERWISE SPECIFIED	chr	Nickor Zuo	2015/07/20			rel level	Released		
	ISO 1302	appr	Pei-Ming Zheng	2015/07/20	product family				
surface	linear	0.X	±0.30		DDR4 288Pin DIMM CONNECTOR PTH TERMINATION (FOR CISCO)	dwg no 10129040	rev C	cat. no. - Product - Customer Drw	
		0.XX	±0.20					sheet 3 of 5	
	angular	0°	±2°						

RECOMMENDED PCB LAYOUT OPTION2



spec ref	dr	Nickor Zuo	2014/02/04	projection	MM	size	A3	scale	1:1		
tolerance std	eng	Jeny Ren	2015/07/17			ecn no	ELX-DG-21430-1				
TOLERANCES UNLESS OTHERWISE SPECIFIED	chr	Nickor Zuo	2015/07/20			rel level	Released				
	surface	appr	Pei-Ming Zheng	2015/07/20	product family						
ISO 1302	linear	0.X	±0.30		DDR4 288Pin DIMM CONNECTOR PTH TERMINATION (FOR CISCO)	dwg no 10129040	rev C	angular 0° ±2°			
		0.XX	±0.20					cat. no.	-	Product - Customer Drw	sheet 4 of 5
		0.XXX	±0.10					www.fci.com			

Copyright FCI.

PRODUCT PART NUMBER

10129040-□□□□□□□□

ADDITIONAL REQUIREMENTS

0: RoHS COMPLIANT

HOLD DOWNS CONFIGURATIONS

0: 3 FORKLOCKS, DIM "Y" = 4.00 ± 0.25
 1: 3 FORKLOCKS, DIM "Y" = 2.50 ± 0.25
 2: 3 FORKLOCKS, DIM "Y" = 3.78 ± 0.25

DIM "L", TAIL LENGTH

0: 2.60 ± 0.25
 1: 3.20 ± 0.25
 3: 2.40 ± 0.25
 4: 2.10 + 0.25 / - 0.15
 5: 2.95 ± 0.25
 6: 2.80 ± 0.15

HOUSING COLOR

0: NATURAL
 1: BLACK
 2: BLUE

EJECTOR TYPE

CODE	COLOR	DIM "X1" MAX. EJECTORS OPEN DISTANCE	DIM "X2" MAX. EJECTORS CLOSE DISTANCE	DIM "W" EJECTOR WIDTH
0	NATURAL	162.00	149.00	(6.42)
1	BLACK			
2	BLUE			

TAIL PLATING

LF: 100u" MIN. MATE TIN
 TL: 100u" MIN. TIN LEAD

CONTACT AREA PLATING

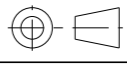
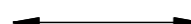

CODE	CONTACT AREA	UNDERPLATING
1	15u" MIN. GOLD	50u" MIN. NICKEL
3	30u" MIN. GOLD	
4	30u" MIN. GXT	
5	15u" MIN. GXT	90u" MIN. NICKEL
6	30u" MIN. GOLD	
7	15u" MIN. GOLD	

CONTACTS LUBRICATION

0: WITHOUT
 1: WITH

NOTES:

- MATERIALS:
 HOUSING: HIGH PERFORMANCE RESINS, GLASS FIBER FILLED, UL94 V-0 RATED.
 EJECTOR: HIGH PERFORMANCE RESINS, GLASS FIBER FILLED, UL94 V-0 RATED.
 TERMINAL: COPPER ALLOY
 FORKLOCK: COPPER ALLOY
- DATE CODE "MMDDYYL", MMDDYY IS ASSEMBLY DATE, L IS FCI PRODUCTION LINE.
- SPECIFICATION:
 PRODUCTION SPECIFICATION: FCI GS-12-1092.
 PACKAGE SPECIFICATION: FCI GS-14-2267.
 APPLICATION SPECIFICATION: FCI GS-20-0353.
- LEAD FREE PRODUCT MEETS EUROPEAN UNION DIRECTIVES AND OTHER COUNTRY REGULATIONS AS DESCRIBED IN FCI GS-22-008.
- THIS PRODUCT WILL WITHSTAND EXPOSURE TO 260°C PEAK TEMPERATURE FOR 10 SECONDS IN WAVE SOLDERING APPLICATION.
- INSERTION FORCE REFERENCE: 106.8 NEWTONS MAX. USING 1.50MM THICKNESS STEEL GAUGE PER JEDEC STANDARD.

dr	Nickor Zuo	2014/02/04		MM 	size	A3	scale	1:1
eng	Jeny Ren	2015/07/17			ecn no	ELX-DG-21430-1		
chr	Nickor Zuo	2015/07/20			rel level	Released		
appr	Pei-Ming Zheng	2015/07/20	product family	-	rev	C		
		DDR4 288Pin DIMM CONNECTOR PTH TERMINATION (FOR CISCO)		cat. no.	Product - Customer Drw	sheet 5 of 5		



Copyright FCI.

Mouser Electronics

Authorized Distributor

Click to View Pricing, Inventory, Delivery & Lifecycle Information:

[FCI / Amphenol:](#)

[10129040-0200001LF](#) [10129040-0010007LF](#) [10129040-0012207LF](#) [10129040-0201001LF](#) [10129040-0011107LF](#)
[10129040-0202001LF](#)