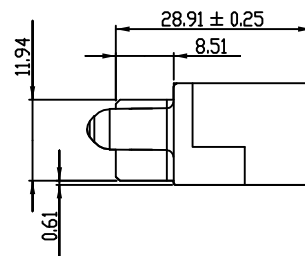
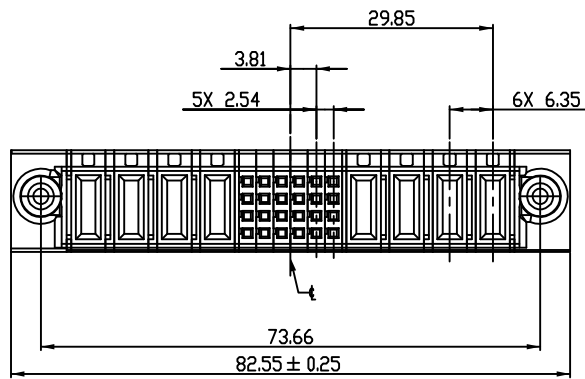
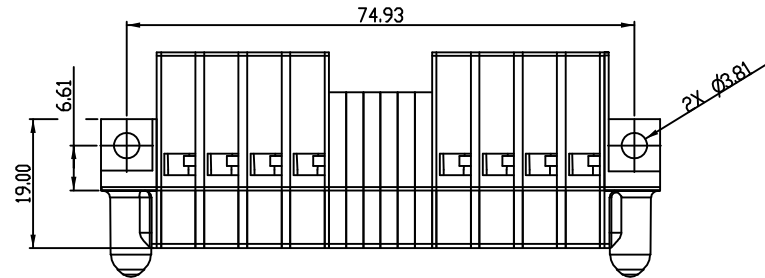


|                                   |      |   |       |    |    |    |        |   |   |   |       |   |    |    |    |    |  |
|-----------------------------------|------|---|-------|----|----|----|--------|---|---|---|-------|---|----|----|----|----|--|
| PART NUMBER<br>10066440-DGC0118LF | ROWS | E | POWER |    |    |    | SIGNAL |   |   |   | POWER |   |    |    | E  |    |  |
|                                   |      |   | P8    | P7 | P6 | P5 | 6      | 5 | 4 | 3 | 2     | 1 | P4 | P3 | P2 | P1 |  |
|                                   | D    |   |       |    |    |    | S      | S | S | S | S     | S |    |    |    |    |  |
|                                   | C    |   | FM    | FM | FM | FM | S      | S | S | S | S     | S | FM | FM | FM | FM |  |
|                                   | B    |   |       |    |    |    | S      | S | S | S | S     | S |    |    |    |    |  |
| A                                 |      |   |       |    |    | S  | S      | S | S | S | S     |   |    |    |    |    |  |



| CONTACT WIRE TABLE |            |
|--------------------|------------|
| CONTACT PITCH      | WIRE GAUGE |
| 7.62               | 8-9        |
| 6.35               | 10-11      |
|                    | 12-14      |
| 5.08               | 12-14      |
| 2.54               | 22-26      |

| CONTACT TABLE |                    |
|---------------|--------------------|
| CODE          | DESCRIPTION        |
| FM            | FIRST MATE CONTACT |
| LM            | LAST MATE CONTACT  |
| S             | SIGNAL CONTACT     |

|     |              |               |    |                   |
|-----|--------------|---------------|----|-------------------|
| REV | DESCRIPTION  | ECN NO.       | LM | LAST MATE CONTACT |
| B   | MODIFY NOTES | ELX-N-21259-1 | S  | SIGNAL CONTACT    |

|               |                                       |       |            |             |                |            |                |            |        |   |
|---------------|---------------------------------------|-------|------------|-------------|----------------|------------|----------------|------------|--------|---|
| spec ref      | *                                     | dr    | Yong Zhang | 2014-10-08  | projection<br> | MM<br>↔    | size           | scale      |        |   |
| tolerance std | TOLERANCES UNLESS OTHERWISE SPECIFIED | eng   | Yong Zhang | 2014-10-08  |                |            | A4             | 1:1        |        |   |
| surface       | linear                                | 0.X   | ±0.50      | chr         |                |            | GF Jin         | 2014-10-08 | ecn no | * |
|               |                                       | 0.XX  | ±0.25      |             |                |            |                |            |        |   |
|               |                                       | 0.XXX | ±0.10      | appr        | GF Jin         | 2014-10-08 | rel level      | Released   |        |   |
|               | angular                               | 0°    | ±2°        | www.fci.com |                |            | product family |            |        |   |



title 4P+24S+4P PM  
PWRBLADE CABLE HOUSING

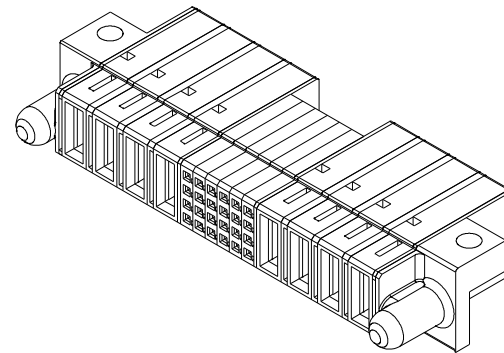
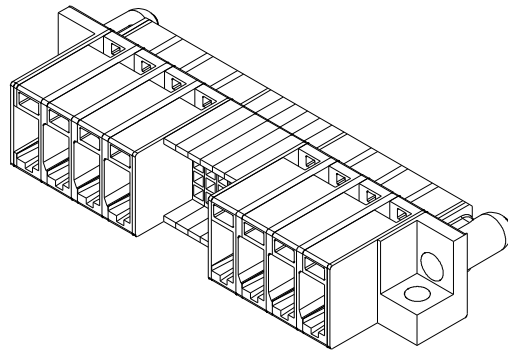
dwg no 10066440-DGC0118LF

rev B

Product - Customer Drw sheet 1 of 2



Copyright FCI.



**Note:**

1. Material:thermo plastic,ul94 v-0
2. Bulkhead thickness range:0.79-2.54
3. Color:black
4. Applicable components  
 Applicable power crimp contact: 10132418-\*\*\*\*\*LF  
 Applicable contact secondary lock:10073097-DGC001LF  
 Applicable signal contact 76347-DGC302LF  
 Applicable latch 10066441-DGC001LF for STR version
5. Product Spec: GS-12-474
6. Application Spec: GS-20-0445
7. The part is been sold as loose piece and fci guarantees is the part in compliance with this customer drawing statement. The product spec for cable assembly can be only as the reference document because the testing and spec is based on using fci raw cable and cable asseymble. If the raw cable and cable assembly is outside suppliers sourced by cusotmers, customers or cable assembly suppliers should be fully responsible for the cable assy quality.



Copyright FCI.

|               |                                       |       |       |                 |  |            |                |                        |                    |                    |              |     |   |
|---------------|---------------------------------------|-------|-------|-----------------|--|------------|----------------|------------------------|--------------------|--------------------|--------------|-----|---|
| spec ref      | *                                     |       |       | dr              | Yong Zhang   | 2014-10-08 | projection<br> | MM<br>                 | size               | A4                 | scale        | 1:1 |   |
| tolerance std | TOLERANCES UNLESS OTHERWISE SPECIFIED |       |       | eng             | Yong Zhang   | 2014-10-08 |                |                        | ecn no             | *                  |              |     |   |
| surface       | <br>linear                            | 0.X   | ±0.50 | <br>www.fci.com | title 4P+24S+4P PM<br>PWRBLADE CABLE HOUSING<br>cat. no. * |            |                |                        | product family     | rel level Released |              |     |   |
|               |                                       | 0.XX  | ±0.25 |                 |  |            |                | dwg no                 | 10066440-DGC0118LF |                    |              | rev | B |
|               |                                       | 0.XXX | ±0.10 |                 |  |            |                | Product - Customer Drw |                    |                    | sheet 2 of 2 |     |   |
|               | angular                               | 0°    | ±2°   |                 |  |            |                |                        |                    |                    |              |     |   |

ProjE File - REV C - 2009-06-09