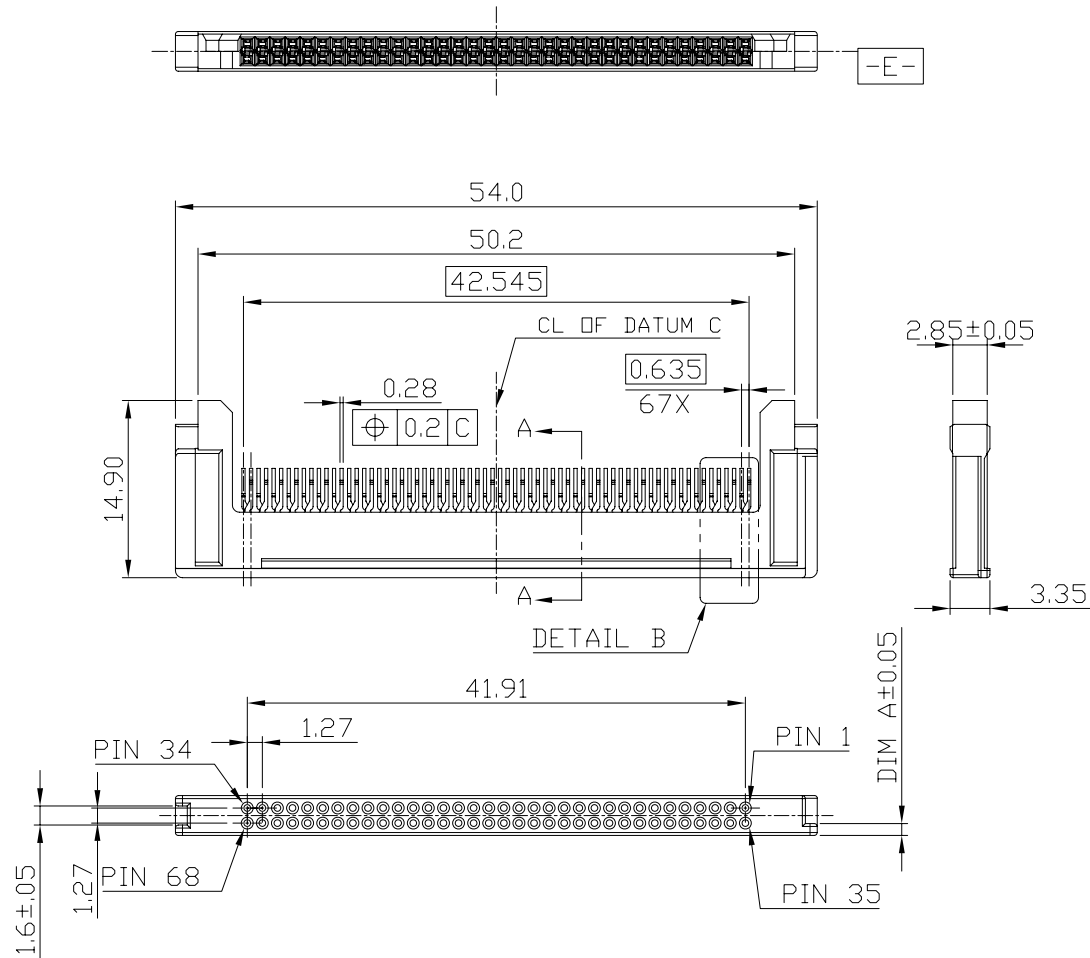




All rights strictly reserved. Reproduction or issue to third parties in any form whatever is not permitted without written authority from the proprietor. Property of FCI. Copyright FCI.

Tous droits strictement réservés. Reproduction ou communication à des tiers interdite sous quelque forme que ce soit sans autorisation écrite du propriétaire. Propriété de c FCI. Droits de reproduction FCI.

PRODUCT NO.	DIM A	VOLTAGE KEY	BOARD OFFSET DIM C	PACKING
10014744				
-002 (-N02)	1.0	5.0V	0.3	SEE NOTE 5 FOR DETAIL DESCRIPTION
-003 (-N03)	1.0	5.0V	0	
-004 (-N04)	1.0	5.0V	-0.3	
-006 (-N06)	2.1	3.3V	0.3	
-007 (-N07)	2.1	3.3V	0	
-008 (-N08)	2.1	3.3V	-0.3	
-011 (N11)	1.0	5.0V	0.6	
-012 (-N12)	2.1	3.3V	0.6	
-013 (-N13)	1.0	5.0V	-0.6	
-014 (-N14)	2.1	3.3V	-0.6	
-015 (-N15)	1.0	5.0V	-0.8	
-021 (-N21)	1.0	5.0V	0	
SEE NOTE 6 FOR -NXX DETAIL				
SEE NOTE 7 FOR LEAD FREE DETAIL				
(NOTE: -021 & -N21 IS REVERSED TYPE)				



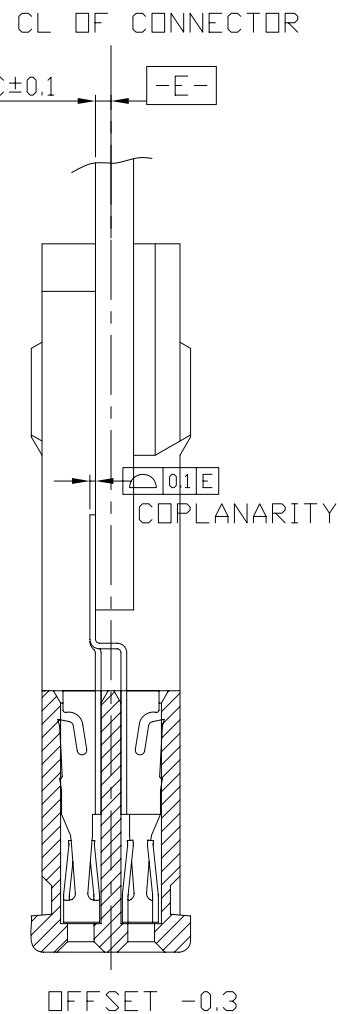
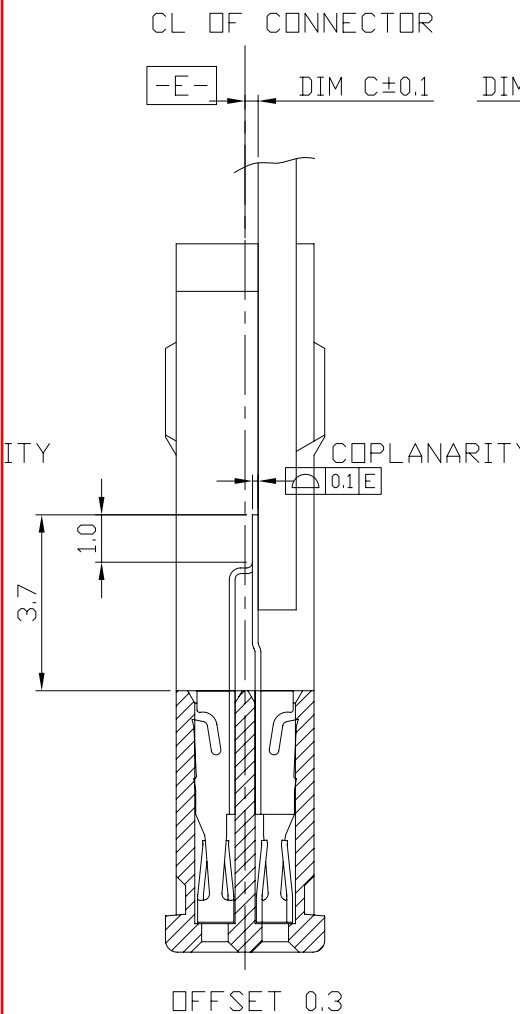
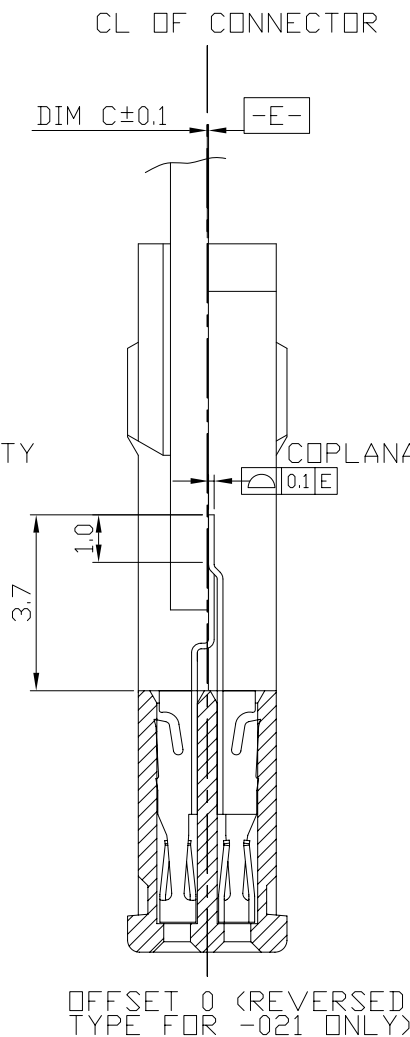
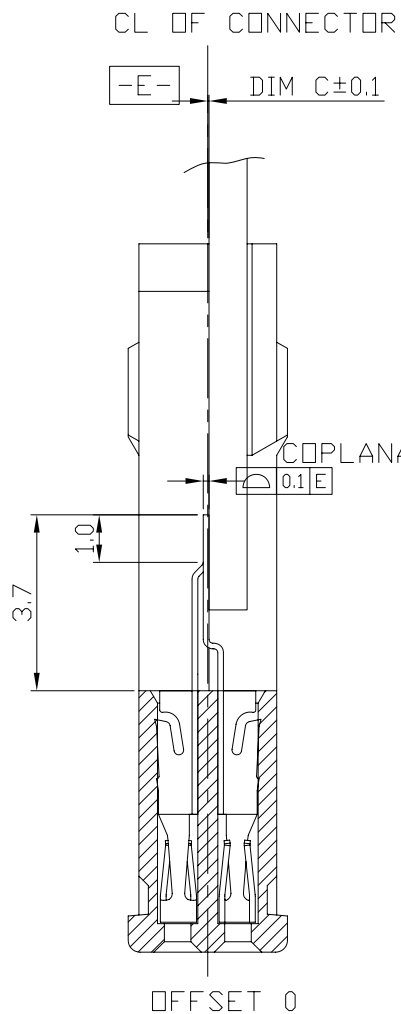
mat'l. code				tolerances unless otherwise specified		CUSTOMER COPY	FCI		
ltr	ecn no	dr	date		.X ±.3	projection	www.fciconnect.com		
H	0G08-0116	NZ	05/27/08	linear	.XX ±.13		title	68PIN PCMCIA RECEPTACLE ASS'Y	
					.XXX ±.050			product family	PCMCIA
C	T03-0099	TAI	03/21/03	angles	0° ±2'	MM	size		dwg no
D	T03-0186	TAI	05/21/03	dr				scale	
E	T03-0332	TAI	07/22/04	enrg		1:1	1 of 4		
F	T03-0358	TAI	08/23/04	chr					
G	0G06-0154	CS	04/06/06	appd					
sheet index	revision sheet	H	H	H	H				
		1	2	3	4				


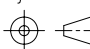
cage code 22526

All rights strictly reserved. Reproduction or issue to third parties in any form whatever is not permitted without written authority from the proprietor. Property of FCI. Copyright FCI.

Tous droits strictement réservés. Reproduction ou communication à des tiers interdite sous quelque forme que ce soit sans autorisation écrite du propriétaire. Propriété de c FCI. Droits de reproduction FCI.

A
FCI



mat'l. code				tolerances unless otherwise specified			CUSTOMER COPY		 www.fciconnect.com	
ltr	ecr no	dr	date	linear	.X ±.3	projection		title		
H					.XX ±.13	 MM		68PIN PCMCIA RECEPTACLE ASS'Y		
				angles	.XXX ±.050			product family PCMCIA		code
				dr	0° ±2'	scale		size		
				enrg	KENNY TAI 12/17/02	1:1		10014744		
				chr	KENNY TAI 12/17/02			sheet 2 of		
				appd	PAUL WANG 12/17/02					
sheet index	revision sheet									

cage code
22526

ACAD

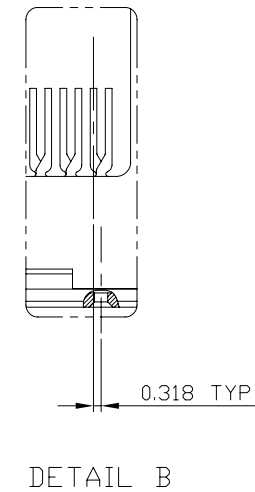
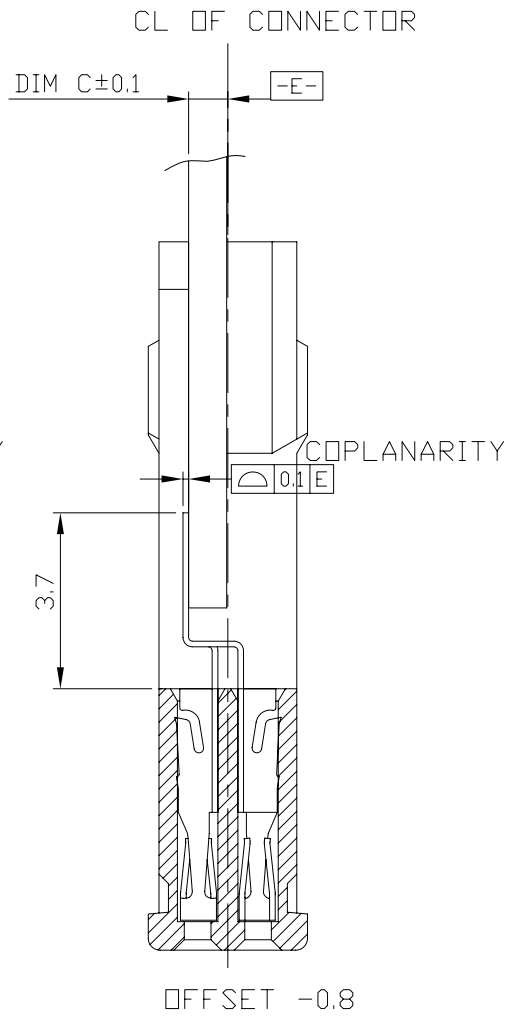
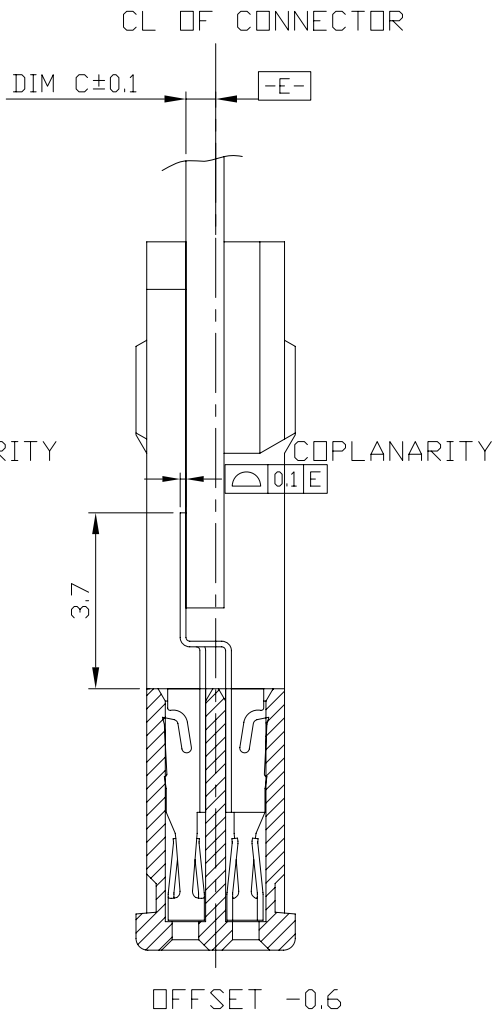
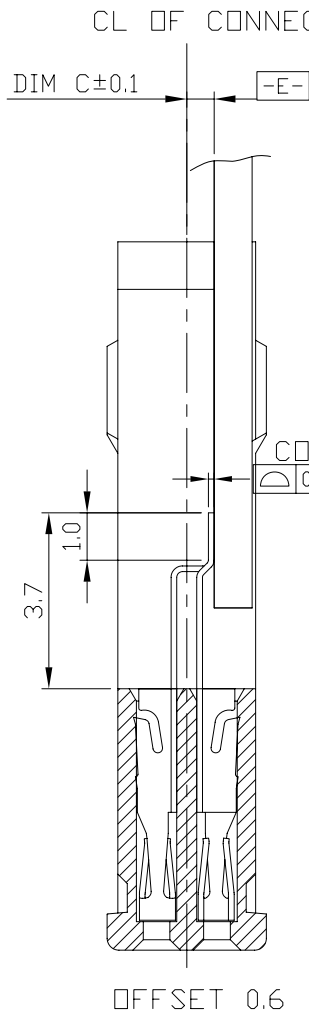
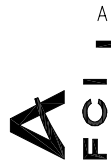
eDOC - PDM: Rev:H

STATUS: Released

Printed: Jun 16, 2011

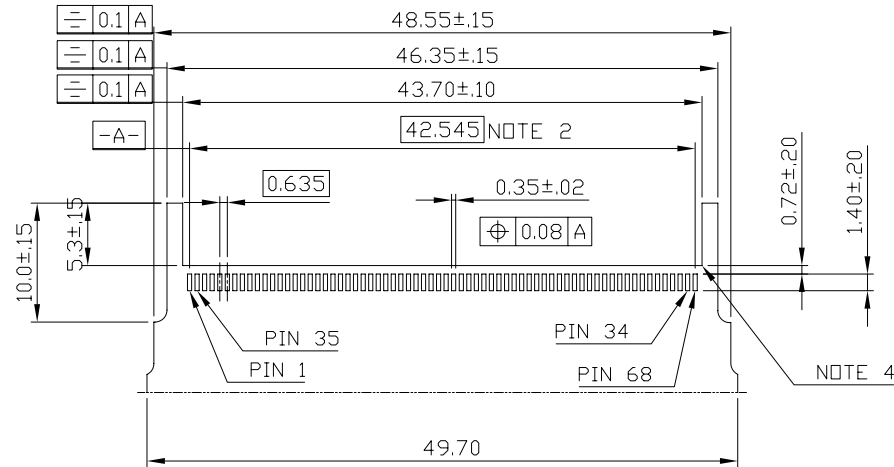
All rights strictly reserved. Reproduction or issue to third parties in any form whatever is not permitted without written authority from the proprietor. Property of FCI. Copyright FCI.

Tous droits strictement réservés. Reproduction ou communication à des tiers interdite sous quelque forme que ce soit sans autorisation écrite du propriétaire. Propriété de c FCI. Droits de reproduction FCI.



mat'l. code				tolerances unless otherwise specified			CUSTOMER COPY	 www.fciconnect.com	
ltr	ecn no	dr	date	linear	.X ±.3				
H					.XX ±.13			68PIN PCMCIA RECEPTACLE ASS'Y	
				angles	.XXX ±.050				
				dr	KENNY TAI	12/17/02	MM	code	
				enrg	KENNY TAI	12/17/02			scale
				chr	KENNY TAI	12/17/02	1:1	dwg no	
				appd	PAUL WANG	12/17/02			A3
sheet index	revision sheet							sheet	
								3 of	

cage code 22526



RECOMMENDED P.C.B. LAYOUT

NOTE:

- MATERIAL:
CONTACT: PHBR 0.12t
HOUSING: LCP UL94V-0 (BLACK COLOR: -XXX; NATURAL COLOR: -NXX)
- FINISH:
CONTACT: ALL OVER--- Ni UNDER 0.5 MICRON THK.
CONTACT AREA--- Au or GXT 0.38 MICRON THK.
- SOLDER TAIL---TIN LEAD 2.5 MICRON THK.
- MAXIMUM PCB BOW ON THIS DIMENSION IS 0.1mm.
- PACKING SPEC. REFER TO GS-14-723.
- ELIMINATE THE CORNER TO PREVENT INTERFERENCE WITH SOLDER TAIL.
- XXX (-NXX) USE STD. PACKAGE, 1872 PCS / CARTON;
-XXXT (-NXXT) USE TAPE AND REEL, 750 PCS / REEL;
-XXXX (-NXXX) USE STD. PACKAGE, 200 PCS / CARTON;
-XXXXA (-NXXXA) USE TAPE AND REEL, 600 PCS / REEL.
- NXX USE NATURAL COLOR HOUSING. EX. -N02 IS THE SAME WITH -002 EXCEPT NATURAL COLOR.
- XXXXLF IS LEAD FREE PLATING. SOLDER TAIL IS PLATED TIN 2.5 MICRON.
- PRODUCT SPEC. REFER TO GS-12-228.

mat'l. code				tolerances unless otherwise specified				CUSTOMER COPY		www.fciconnect.com	
ltr	ecn no	dr	date	linear	.X ±.3			projection	title		
H					.XX ±.13				68PIN PCMCIA RECEPTACLE ASS'Y		
				angles	.XXX ±.050				product family		code
					0° ±2'				PCMCIA		-
				dr	KENNY TAI	12/17/02	scale	← MM →	size		sheet
				engr	KENNY TAI	12/17/02			10014744		
				chr	KENNY TAI	12/17/02			A3		
				appd	PAUL WANG	12/17/02			1:1		
sheet index	revision sheet										

cage code 22526

Mouser Electronics

Authorized Distributor

Click to View Pricing, Inventory, Delivery & Lifecycle Information:

[FCI / Amphenol:](#)

[10014744-002SLF](#)