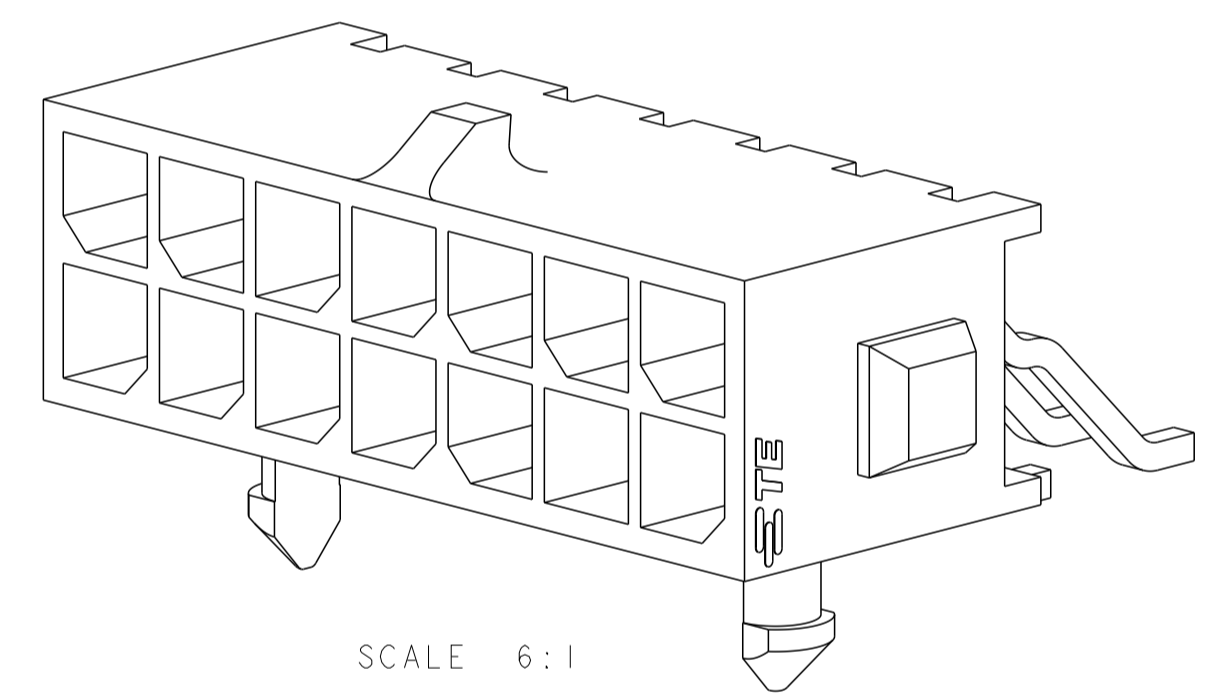
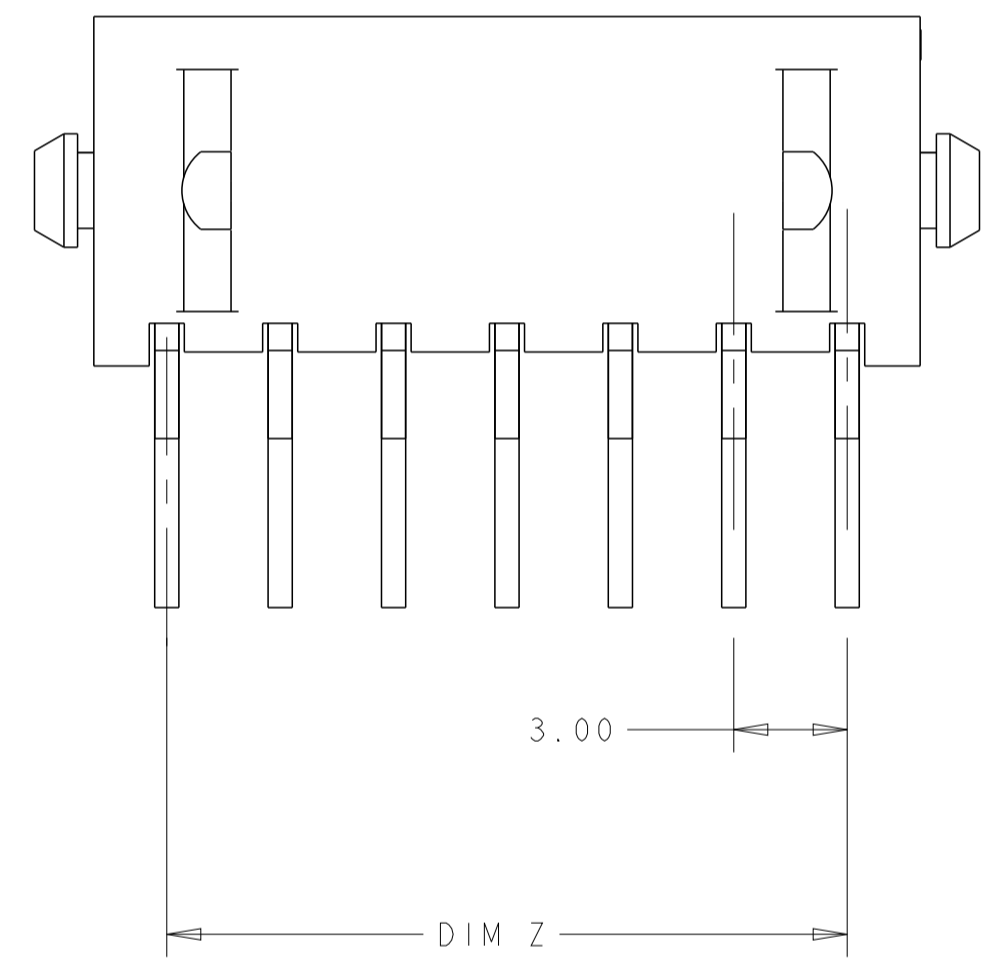
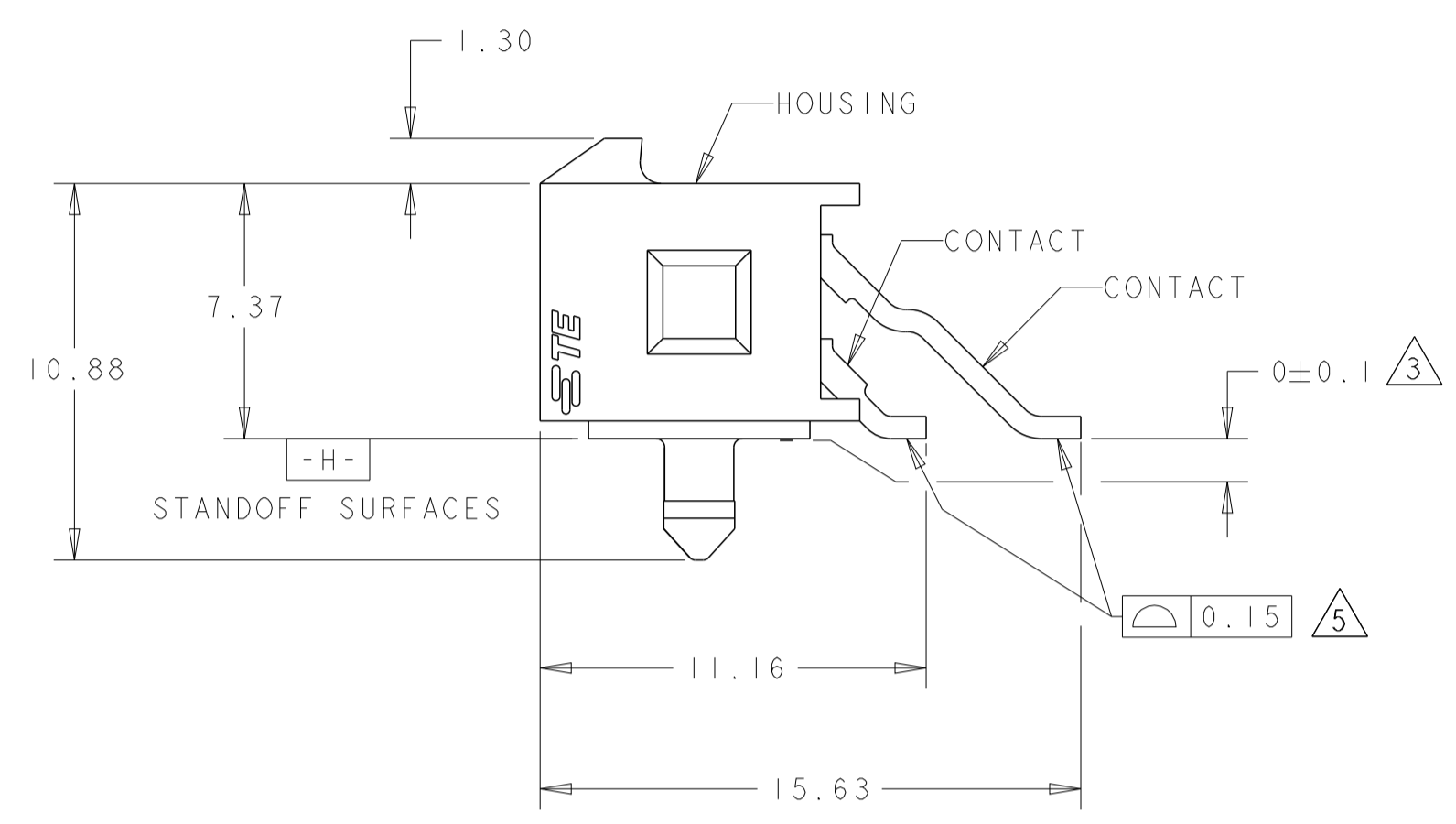
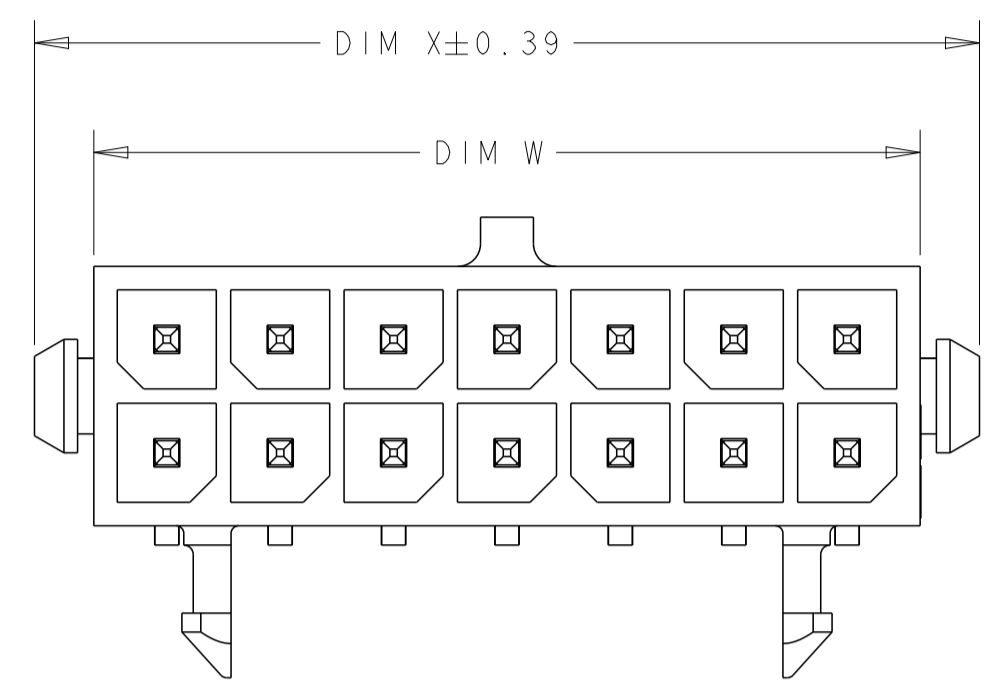
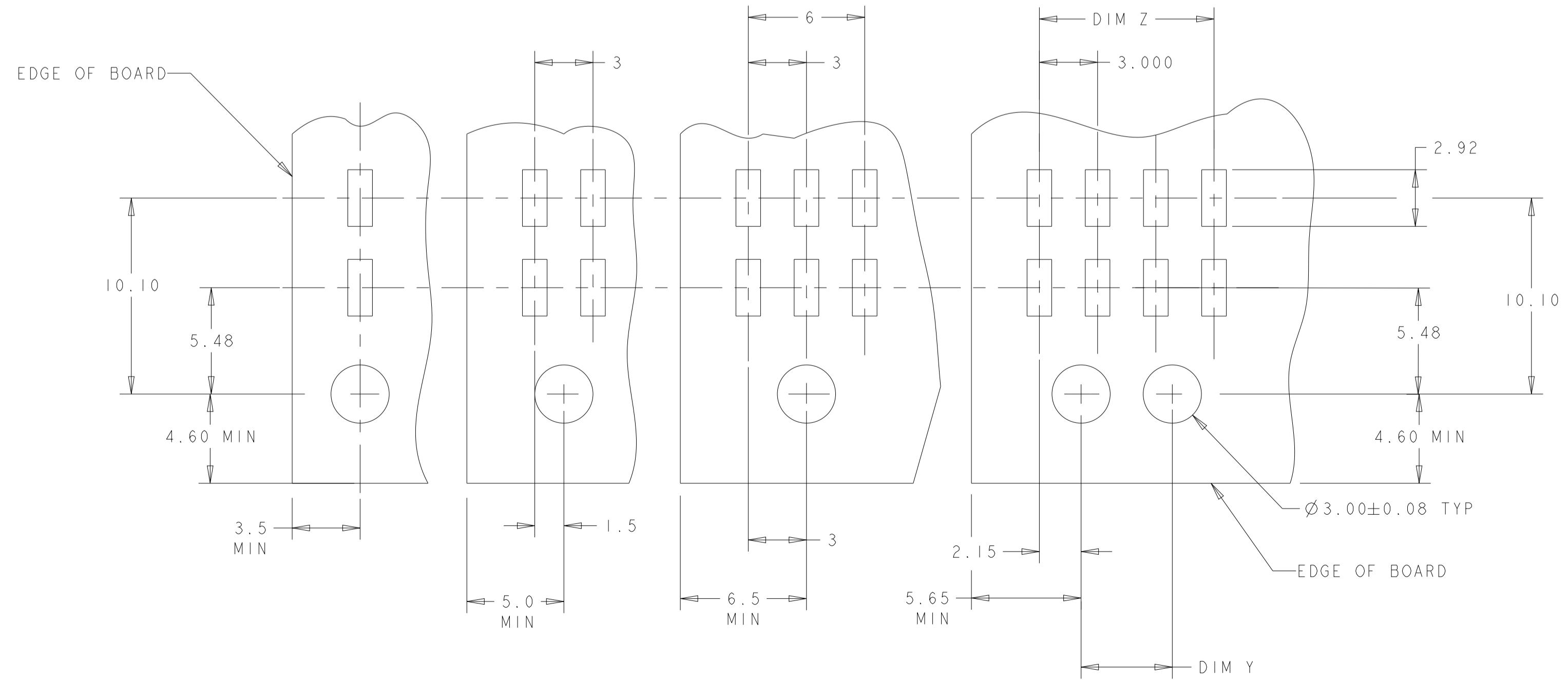


REVISIONS				
P	LTN	DESCRIPTION	DATE	APPV
G1		REVISED PER ECR-16-011494	21JUN2017	NK CX

- 1 MATERIAL:
CONTACTS - BRASS.
HOUSING - UL 94V-0 RATED HIGH TEMP NYLON, COLOR; BLACK.
- 2 PLATING:
CONTACTS - 0.38µm MINIMUM GOLD OVER 2.54µm MINIMUM NICKEL
ON MATING AREA. 2.54µm TIN-LEAD MINIMUM OVER 2.54µm NICKEL
MINIMUM ON SOLDER TAILS.
- 3 DIMENSION APPLIES TO SOLDER TAIL SURFACES
AND STANDOFF SURFACES.
- 4 RECOMMENDED PC BOARD THICKNESS OF 1.57.
- 5 ALL SOLDER TAILS.
- 6 PLATING:
CONTACTS - 0.38µm MINIMUM GOLD OVER 2.54µm MINIMUM NICKEL
ON MATING AREA. 2.54µm MATTE TIN MINIMUM OVER 2.54µm NICKEL
MINIMUM ON SOLDER TAILS.



FINISH	DIM W	DIM Y	DIM Z	DIM X	NO. OF POSN.	PART NUMBER
6	36.86	28.70	33.00	40.00	24	5-794622-4
6	33.86	25.70	30.00	37.00	22	5-794622-2
6	30.86	22.70	27.00	34.00	20	5-794622-0
6	27.86	19.70	24.00	31.00	18	4-794622-8
6	24.86	16.70	21.00	28.00	16	4-794622-6
6	21.86	13.70	18.00	25.00	14	4-794622-4
6	18.86	10.70	15.00	22.00	12	4-794622-2
6	15.86	7.70	12.00	19.00	10	4-794622-0
6	12.86	4.70	9.00	16.00	8	3-794622-8
6	9.86	-	6.00	13.00	6	3-794622-6
6	6.86	-	3.00	10.00	4	3-794622-4
6	3.86	-	-	7.00	2	3-794622-2



RECOMMENDED PCB LAYOUT (COMPONENT SIDE) 4

SUPERSEDED BY 5-794622-4	2	36.86	28.70	33.00	40.00	24	2-794622-4
SUPERSEDED BY 5-794622-2	2	33.86	25.70	30.00	37.00	22	2-794622-2
SUPERSEDED BY 5-794622-0	2	30.86	22.70	27.00	34.00	20	2-794622-0
SUPERSEDED BY 4-794622-8	2	27.86	19.70	24.00	31.00	18	1-794622-8
SUPERSEDED BY 4-794622-6	2	24.86	16.70	21.00	28.00	16	1-794622-6
SUPERSEDED BY 4-794622-4	2	21.86	13.70	18.00	25.00	14	1-794622-4
SUPERSEDED BY 4-794622-2	2	18.86	10.70	15.00	22.00	12	1-794622-2
SUPERSEDED BY 4-794622-0	2	15.86	7.70	12.00	19.00	10	1-794622-0
SUPERSEDED BY 3-794622-8	2	12.86	4.70	9.00	16.00	8	794622-8
SUPERSEDED BY 3-794622-6	2	9.86	-	6.00	13.00	6	794622-6
SUPERSEDED BY 3-794622-4	2	6.86	-	3.00	10.00	4	794622-4
SUPERSEDED BY 3-794622-2	2	3.86	-	-	7.00	2	794622-2

THIS DRAWING IS A CONTROLLED DOCUMENT. DWN H. WHITAKER 28JAN2002
 CHK C. JONES 28JAN2002
 APVD C. JONES 28JAN2002

STE TE Connectivity

NAME SURFACE MOUNT, R/A, 15 GOLD HEADER, PLASTIC BOARDLOCK, DUAL ROW, MICRO MATE-N-LOK (TM)

SIZE CAGE CODE DRAWING NO RESTRICTED TO
 A100779C=794622

MATERIAL SEE TABLE WEIGHT -

CUSTOMER DRAWING SCALE 5:1 SHEET 1 OF 1 REV G1

Mouser Electronics

Authorized Distributor

Click to View Pricing, Inventory, Delivery & Lifecycle Information:

[TE Connectivity:](#)

[1-794622-2](#)