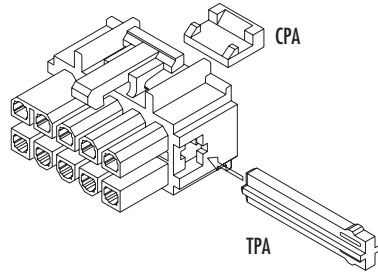


4.20mm (.165") Pitch Mini-Fit TPA™ Receptacle

30067
Dual Row
With Secondary Terminal
Retention



Features and Benefits

- Receptacle housing for wire-to-wire and wire-to-board applications
- Terminal Position Assurance (TPA) allows the terminal to be fully seated in the housing assuring that it will not back out during high vibration applications
- Connector Position Assurance (CPA) assures housing cannot be inadvertently disengaged
- Contrasting color (white) TPA/CPA for high visibility
- TPA and CPA keys are sold individually to meet customer-specific needs

Reference Information

Packaging: Bag
 UL File No.: E29179
 CSA File No.: LR19980
 TUV License No.: R75142
 Use With: 46083, 45750 and 5556 terminals
 Mates With: 30068 housing, 30069 and 30070 headers
 Designed In: Millimeters

Physical

Housing: Black polyester, UL 94V-0
 Operating Temperature: -40 to +105°C

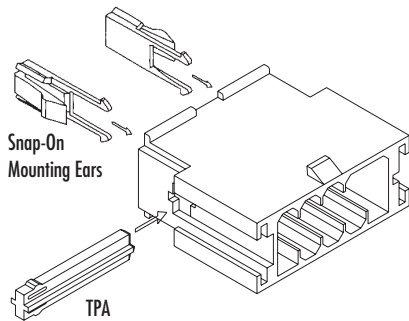
Circuits	Order No.			Lead-free
	Receptacle (30067 Series)	TPA Pin (30072 Series)	CPA Key (30071 Series)	
2	15-97-5021	15-97-9041*	15-97-0071†	Yes
4	15-97-5041			
6	15-97-5061			
8	15-97-5081			
10	15-97-5101			
12	15-97-5121			
16	15-97-5161	15-97-9161		

* The same TPA pin is used for both the 2 and 4 circuit receptacles

† The same CPA key is used for all receptacles, regardless of circuit size

4.20mm (.165") Pitch Mini-Fit TPA™ Plug

30068
Dual Row with Secondary
Terminal Retention



Features and Benefits

- Plug housing for wire-to-wire applications
- Terminal Position Assurance (TPA) allows the terminal to be fully seated in the housing, assuring that it will not back out during high-vibration applications
- TPA key is sold individually to meet customer-specific needs
- Optional snap-on ears for panel mounting
- Contrasting color (white) TPA/CPA for high visibility

Reference Information

Packaging: Bag
 UL File No.: E29179
 CSA File No.: LR19980
 TUV License No.: R75142
 Use With: 46314, 46012 and 5558 terminals
 Mates With: 30067 housing
 Designed In: Millimeters

Physical

Housing: Black polyester, UL 94V-0
 Operating Temperature: -40 to +105°C

Circuits	Order No.			Lead-free
	Plug (30068 Series)	TPA Pin (30072 Series)	Snap-on Mounting Ears	
2	15-97-6021	15-97-9041*	43130-0001†	Yes
4	15-97-6041			
6	15-97-6061			
8	15-97-6081			
	15-97-6101			
16	15-97-6161	15-97-9161		

* The same TPA pin is used for both the 2 and 4 circuit plugs

† Two snap-on mounting ears required per plug housing for panel mounting application