

1

2

3

4

A

B

C

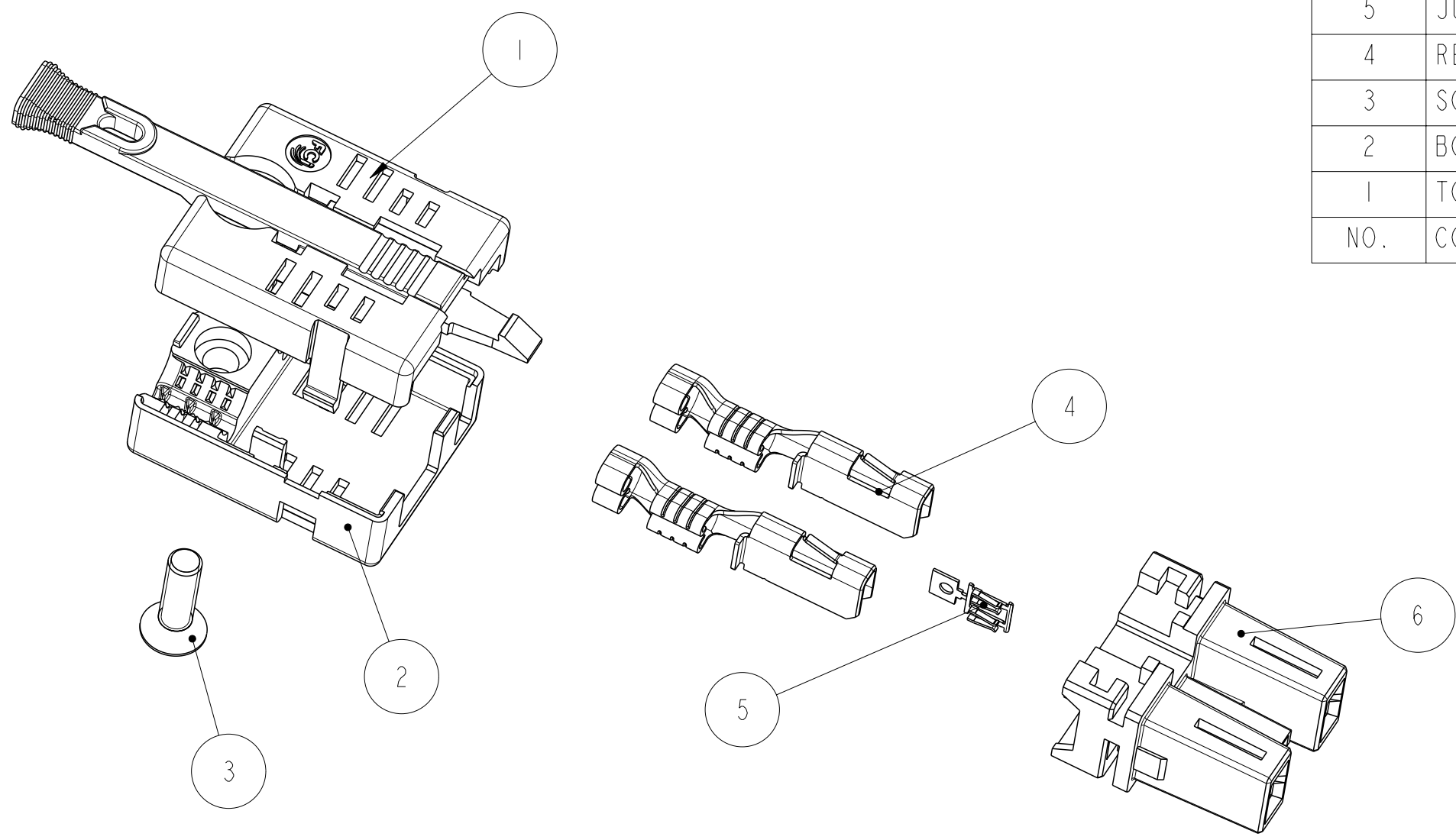
D

A

B

C

D



6	FRONT HOUSING	1
5	JUMPER CONTACT	1
4	RECEPTACLE CONTACT	2
3	SCREW	1
2	BOTTOM COVER	1
1	TOP COVER ASSEMBLY	1
NO.	COMPONENT NAME	QTY



Copyright FCI.

THIS DRAWING IS FOR INFORMATION ONLY
 THIS PRODUCT IS SUPPLIED AS PART OF CABLE ASSEMBLIES

RECOMMENDED CABLE SPECIFICATION:
 6MM² (10AWG) OUTER DIAMETER 4.8mm

rev	ecn no	dr	date
A	H08-0162	PEP	081218
B	H09-0105	JDB	090924
C	H10-0029	JDB	100521
-	-	-	-
-	-	-	-
-	-	-	-
-	-	-	-

www.fci.com		surface ISO 1302	tolerance std ISO 406 ISO 1101	projection mm
TOLERANCES UNLESS OTHERWISE SPECIFIED				size A3
Dr	J.DE BRUIJN	2008-08-05	ANGULAR	Scale 2:1
Eng	J.DE BRUIJN	2008-08-05	LINEAR	ECN H10-0029
Chr	P.POORTER	2008-12-18	0° ±°	Spec ref -
Appr	J.DE BRUIJN	2008-12-18	Product family	
FCI		STRAIGHT CC ASSEMBLY KIT		dwg no 10089865
		POWER PROFILE PLUS, CABLE CONN.		Rev. C
catalog no		CUSTOMER		sheet 1 of 2

REV F - 2006-04-17

1

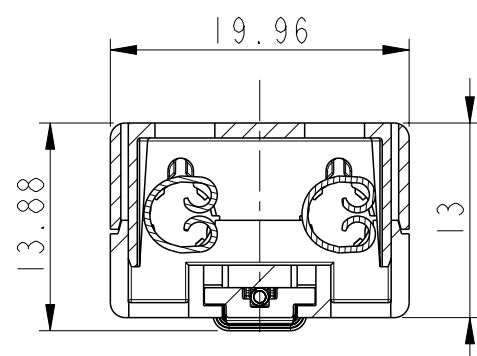
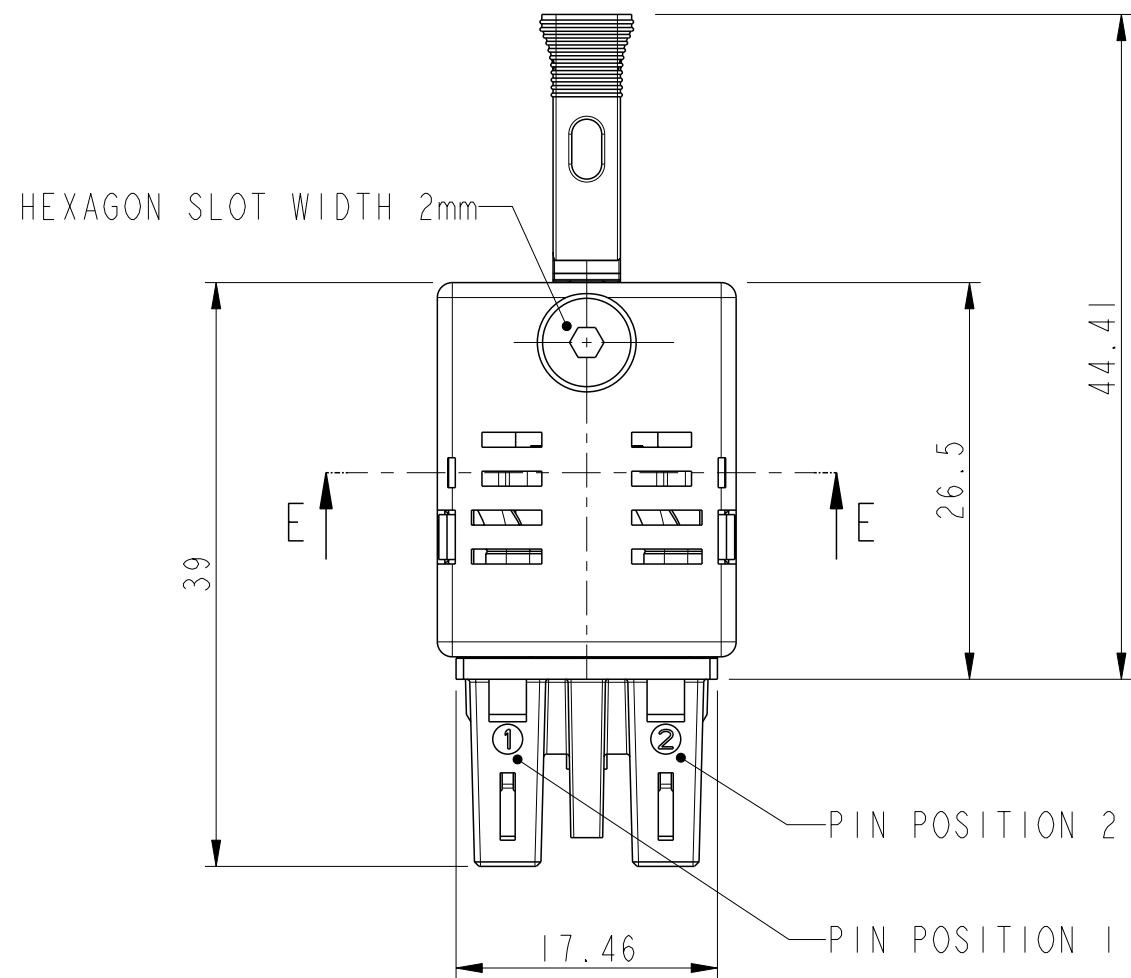
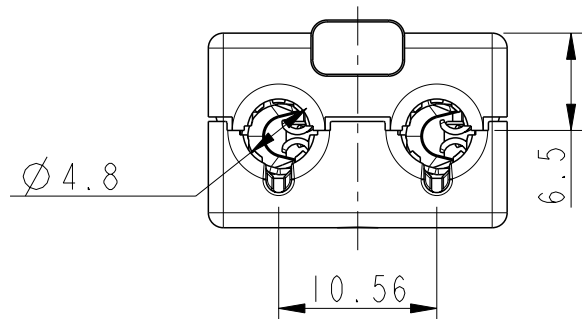
2

3

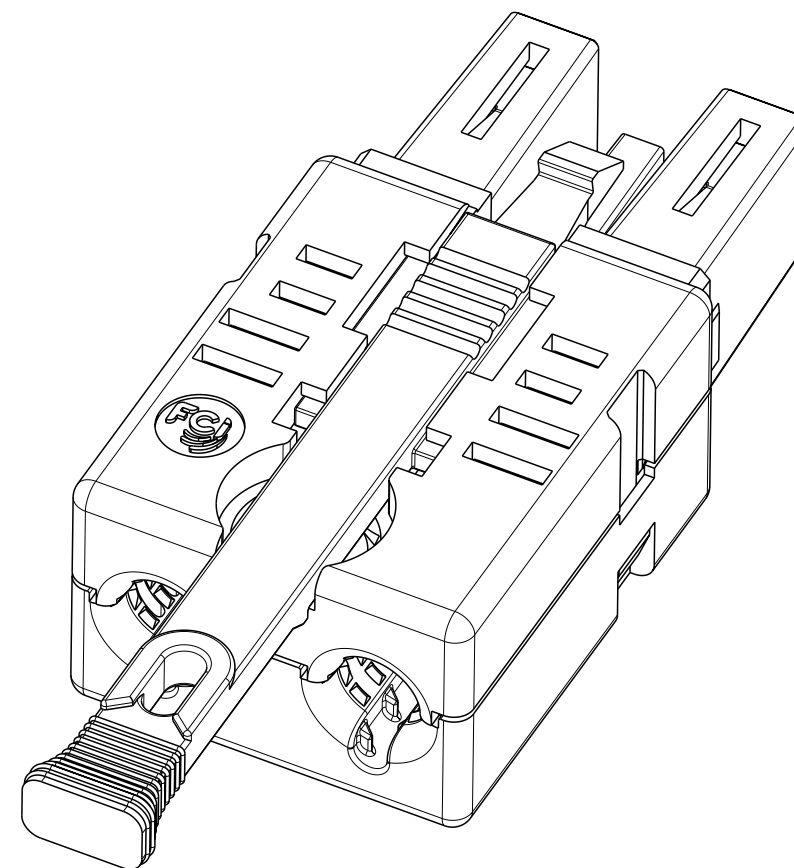
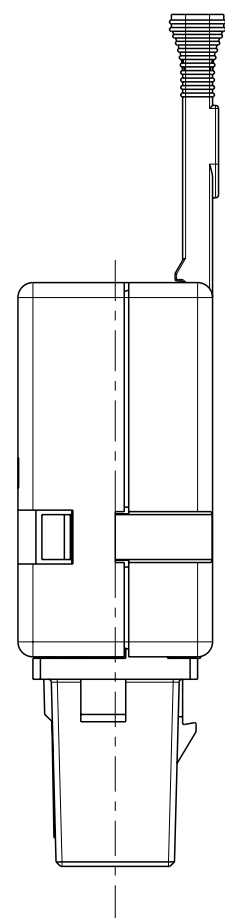
4



Copyright FCI.



SECTION E-E



SCALE 3:1

www.fci.com			surface ISO 1302	tolerance std ISO 406 ISO 1101	projection 	mm
			TOLERANCES UNLESS OTHERWISE SPECIFIED		size A3	Scale 2:1
Dr	J.DE BRUIJN	2008-08-05	ANGULAR	LINEAR	0.X	±
Eng	J.DE BRUIJN	2008-08-05			0.XX	±
Chr	P.POORTER	2008-12-18	0° ±°		0.XXX	±
Appr	J.DE BRUIJN	2008-12-18	Product family			ECN H10-0029
STRAIGHT CC ASSEMBLY KIT POWER PROFILE PLUS, CABLE CONN.			dwg no 10089865		Rev. C	
catalog no			CUSTOMER		sheet 2 of 2	

Mouser Electronics

Authorized Distributor

Click to View Pricing, Inventory, Delivery & Lifecycle Information:

FCI:

[10089865-101LF](#)