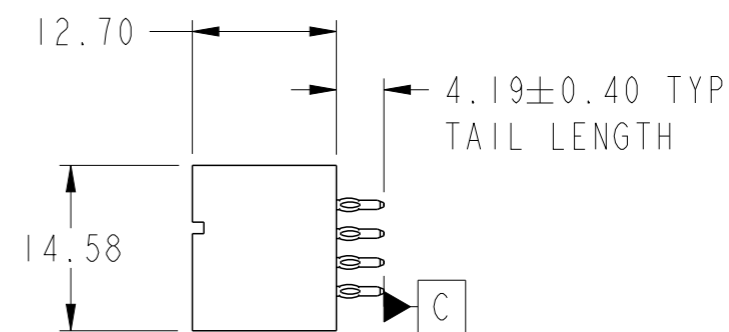
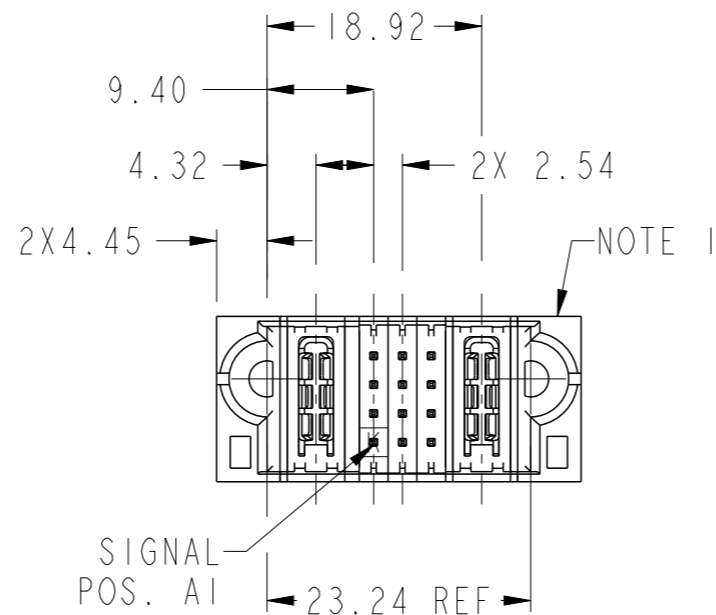
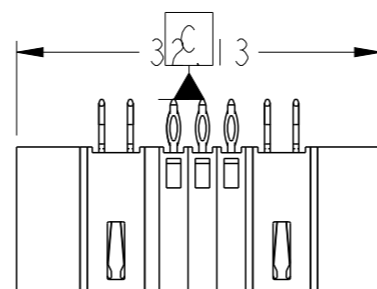
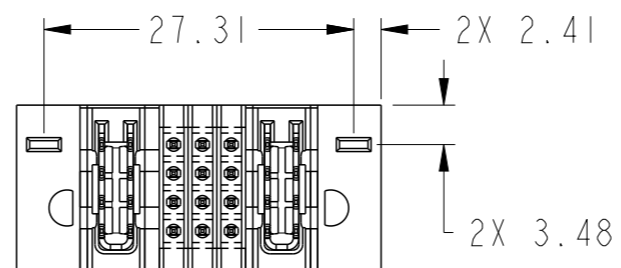


PART NUMBER SEE SHEET 2



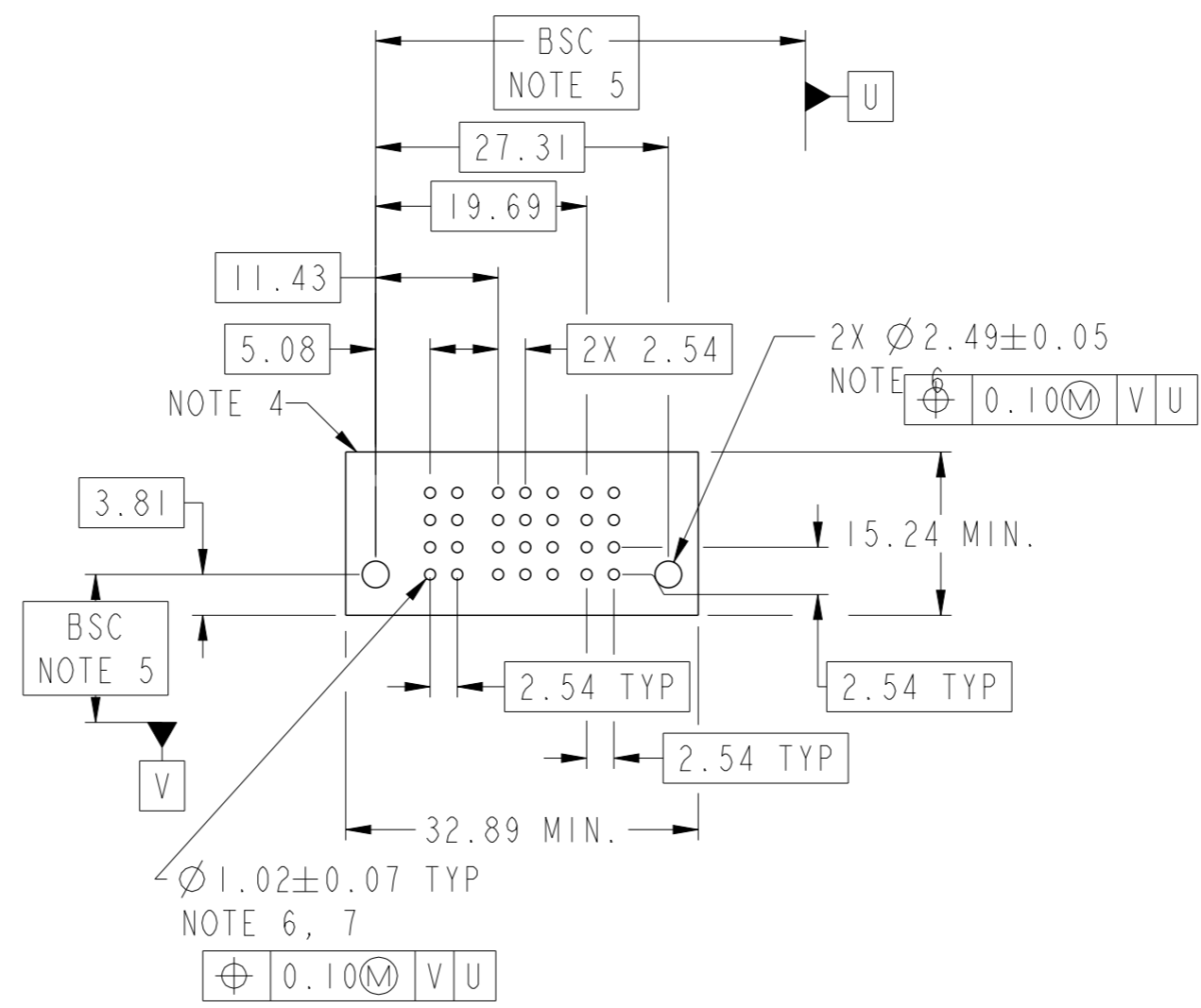
spec ref	*	dr	Xie Bob	2013/06/27	projection	MM	size	A3	scale	3:2
tolerance std	ASME Y14.5	eng	Helen Zhang	2013/07/08			ecn no	-	rel level	Released
TOLERANCES UNLESS OTHERWISE SPECIFIED		chr	Li-He	2013/07/07						
surface	<input checked="" type="checkbox"/> linear <input type="checkbox"/> angular	0.X ±0.5 0.XX ±0.25 0.XXX ±0.10			IP+12S+IP VERTICAL PF HEADER		dwg no 10106267-2003001	rev A	www.fci.com cat. no. Product - Customer Drw sheet 1 of 3	



Copyright FCI.

PRODUCT NO.	ROWS	HP		SIG			HP	
		E1	P1	1	2	3	P2	E2
10106267-2003001LF	DCBA		H4	G	G	G	H4	

CODE	DESCRIPTION
G	STD SIGNAL CONTACT'
H4	STD HIGH POWER CONTACT'



Copyright FCI.

dr	Xie Bob	2013/06/27	projection	MM	size	A3	scale	3:2
eng	Helen Zhang	2013/07/08		← →	ecn no			
chr	Li-He	2013/07/07			-			
appr	Pei-Ming Zheng	2013/07/08	product family	PwrBlade+	rel level	Released		
		IP+12S+IP			dwg no	10106267-2003001		rev
www.fci.com		VERTICAL PF HEADER					A	
cat. no.			Product - Customer Drw		sheet 2 of 3			

A

B

C

D

A

B

C

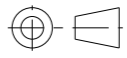
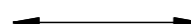

D

NOTES:

- 1) "FCI", PART NUMBER AND DATE CODE TO BE MARKED ON THIS SURFACE.  
THE MARK CAN BE OMITTED IF THERE IS NOT ENOUGH SPACE ON THIS SURFACE.
- 2) MATERIALS:  
-HOUSING - GLASS FILLED WITH HIGH TEMP THERMOPLASTIC, UL94V-0.  
-SIGNAL CONTACT - COPPER ALLOY.  
-POWER CONTACT - HIGH CONDUCTIVITY COPPER ALLOY.
- 3) PLATING SPECIFICATION REFER TO FCI 10116351
- 4) DENOTES CONNECTOR KEEP OUT ZONE.
- 5) DATUM AND BASIC DIMENIONS WERE ESTABLISHED BY CUSTOMER.
- 6) ALL HOLE DIAMETERS ARE FINISHED HOLE SIZES.
- 7) 1.15±0.025MM DRILLED HOLE PLATED WITH 0.00762MM MIN Sn  
OVER 0.0254-0.0762MM Cu PLATING TO ACHIEVE A 1.02±0.07MM HOLE.
- 8) PRODUCT SPECIFICATION REFER TO FCI GS-12-658.  
APPLICATION SPECIFICATION REFER TO FCI GS-20-141.  
PRODUCT PACKAGED IN TRAYS, REFER TO FCI GS-14-1502.



Copyright FCI.

dr	Xie Bob	2013/06/27	projection 	MM 	size	A3	scale	3:2
eng	Helen Zhang	2013/07/08			ecn no	-		
chr	Li-He	2013/07/07			rel level	Released		
appr	Pei-Ming Zheng	2013/07/08			product family	PwrBlade+		
		title IP+12S+IP VERTICAL PF HEADER		dwg no 10106267-2003001	rev A			
<a href="http://www.fci.com">www.fci.com</a>		cat. no.	Product - Customer Drw		sheet 3 of 3			

# Mouser Electronics

Authorized Distributor

Click to View Pricing, Inventory, Delivery & Lifecycle Information:

[FCI / Amphenol:](#)

[10106267-2003001LF](#)