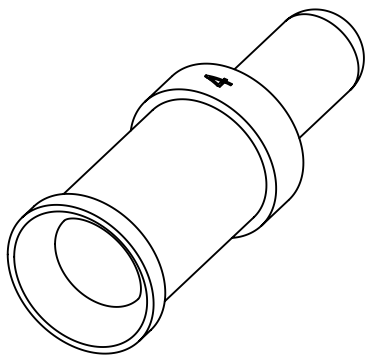



wire gauge: 4mm<sup>2</sup> / AWG 12  
 stripping length: 6.5mm  
 coating: silver plated



	All rights reserved Department EL PD - DE	Created by HOLLERT	Inspected by RIEPE	Standardisation TIEMANNA	Date 2013-11-28	State Final Release	
	HARTING Electric GmbH & Co. KG D-32339 Espelkamp	Title Han-Yellock Crimp contact male 4mm <sup>2</sup>				Doc-Key / ECM-Nr. 100177931/UGD/006/B 500000068615	
		Type TB	Number 11 05 000 6108			Rev. B	Page 1/1

# Mouser Electronics

Authorized Distributor

Click to View Pricing, Inventory, Delivery & Lifecycle Information:

[HARTING:](#)

[11050006108](#)