

1

2

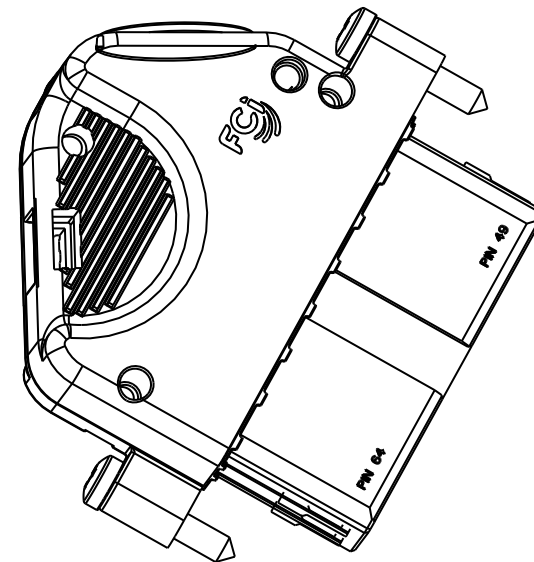
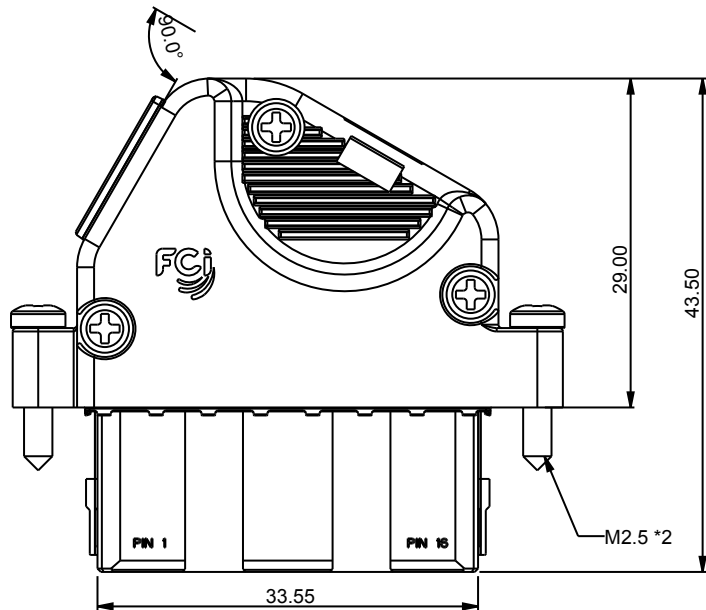
3

4

Cable Kits P/N	10089331-101LF	10089331-102LF	10089331-103LF	10089331-104LF
Lock Screw Length	12.50	12.50	15.00	15.00
AWG	24&26	28&30	24&26	28&30

A

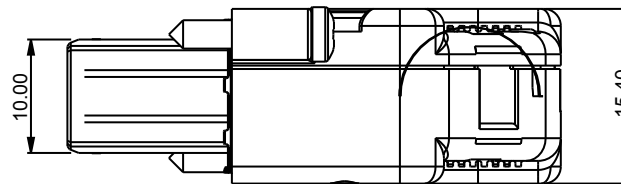
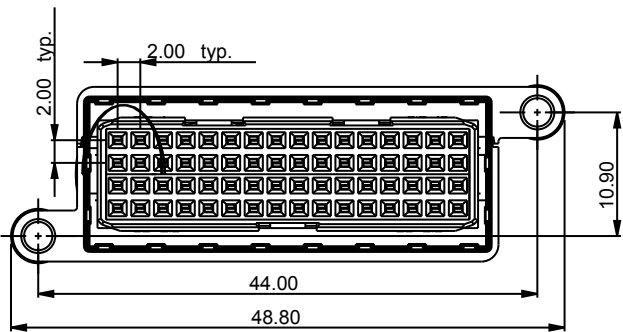
B



A

B

C



C

D

spec ref	*	dr	Junor Huang	2008-06-03	projection	MM	size	A4	scale	1.500							
tolerance std	TOLERANCES UNLESS OTHERWISE SPECIFIED	eng	De-Feng Qin	2011-07-19				ecn no	ECR-ELX-DG-005201-2								
		chr	-	-				rel level	Released								
		appr	PM ZHENG	2011-07-19		product family											
surface	<input checked="" type="checkbox"/> linear <table border="1"> <tr> <td>0.X</td> <td>±0.3</td> </tr> <tr> <td>0.XX</td> <td>±0.15</td> </tr> <tr> <td>0.XXX</td> <td>±0.05</td> </tr> </table> <input type="checkbox"/> angular <table border="1"> <tr> <td>0°</td> <td>± 2 °</td> </tr> </table>	0.X	±0.3	0.XX	±0.15	0.XXX	±0.05	0°	± 2 °		64 pos VDSL Cable connector	title www.fci.com	cat. no.	*	Product - Customer Drw	dwg no 10089331	rev F
0.X	±0.3																
0.XX	±0.15																
0.XXX	±0.05																
0°	± 2 °																
								sheet 1	of 2								

D

ProE File - REV C - 2009-06-09

1

2

3

4



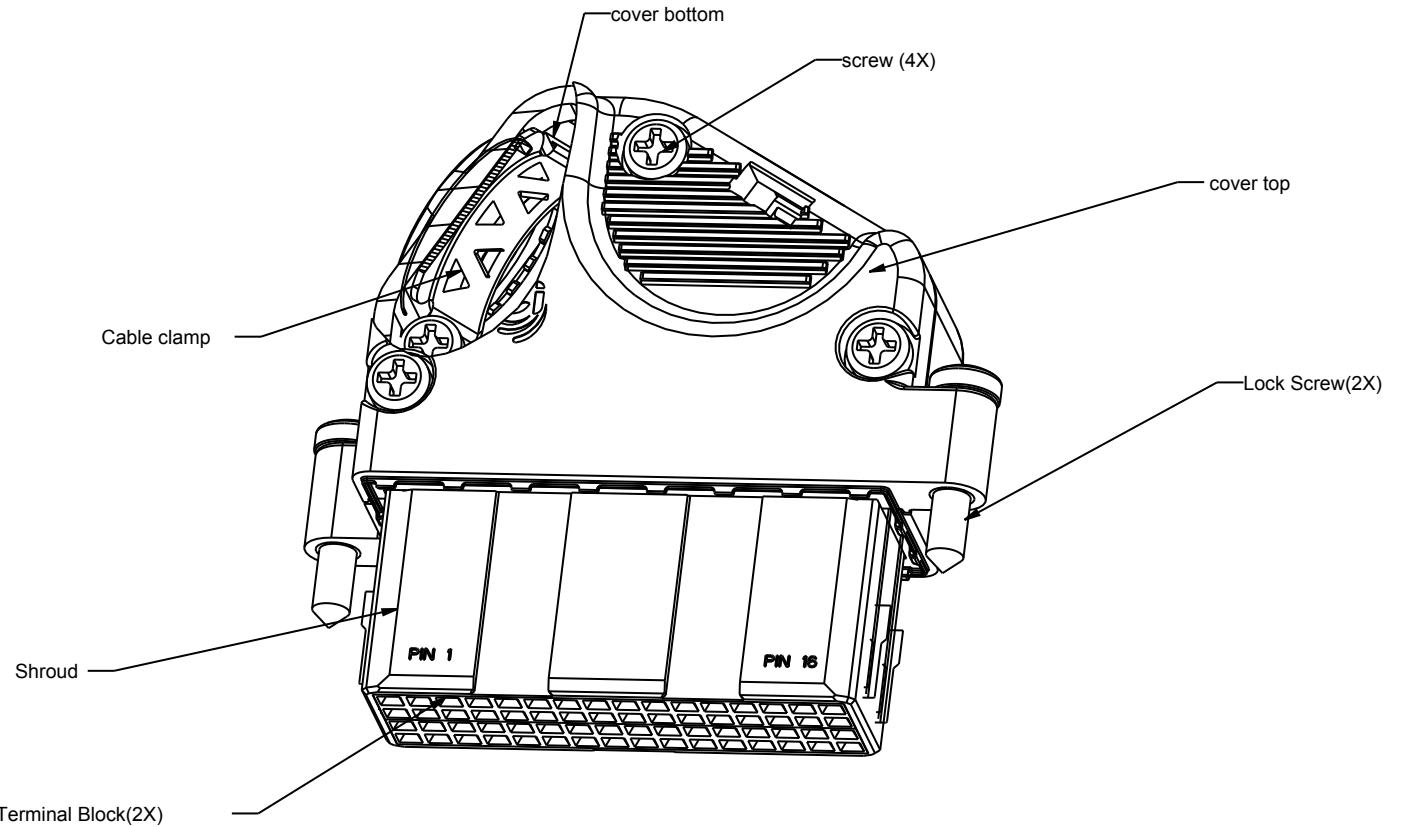
Copyright FCI.

BOM of cable kits 10089331

Component Name	Cable Clamp	Cover TOP	Cover Bottom	Screw lock with cover	Screw Lock with board conn.	Assembled Terminal Block	Shroud
Qt'y/Kit	1	1	1	4	2	2	1

NOTE:

- This product is not intended to be exposed to a manufacturing solder process.
- Material:
 Diacasting : Zn alloy with cu ,nickel & pure tin plating
 Shroud: PBT
 Terminal; Copper alloy
 Screw: stainless steel
- Cable O.D:9.7mm-11mm.



Copyright FCI.

spec ref *		dr De-Feng Qin 2011-07-19		projection 	MM ←→	size A4	scale 2.000	
tolerance std		eng De-Feng Qin 2011-07-19				ecn no		
TOLERANCES UNLESS OTHERWISE SPECIFIED		chr PM ZHENG 2011-07-19				rel level Released		
surface ✓	linear	0.X	±0.3	FCI title 64 pos VDSL Cable connector	dwg no 10089331	rev F		
		0.XX	±0.15					
		0.XXX	±0.05					
	angular	0°	± 2 °	www.fci.com	cat. no.	Product - Customer Drw	sheet 2 of 2	

Mouser Electronics

Authorized Distributor

Click to View Pricing, Inventory, Delivery & Lifecycle Information:

[FCI / Amphenol:](#)

[10089331-101LF](#)