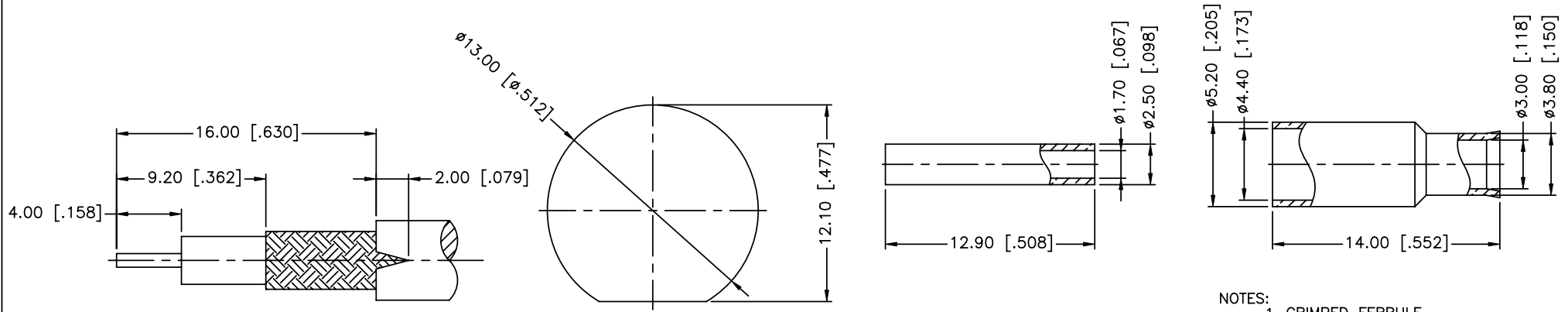
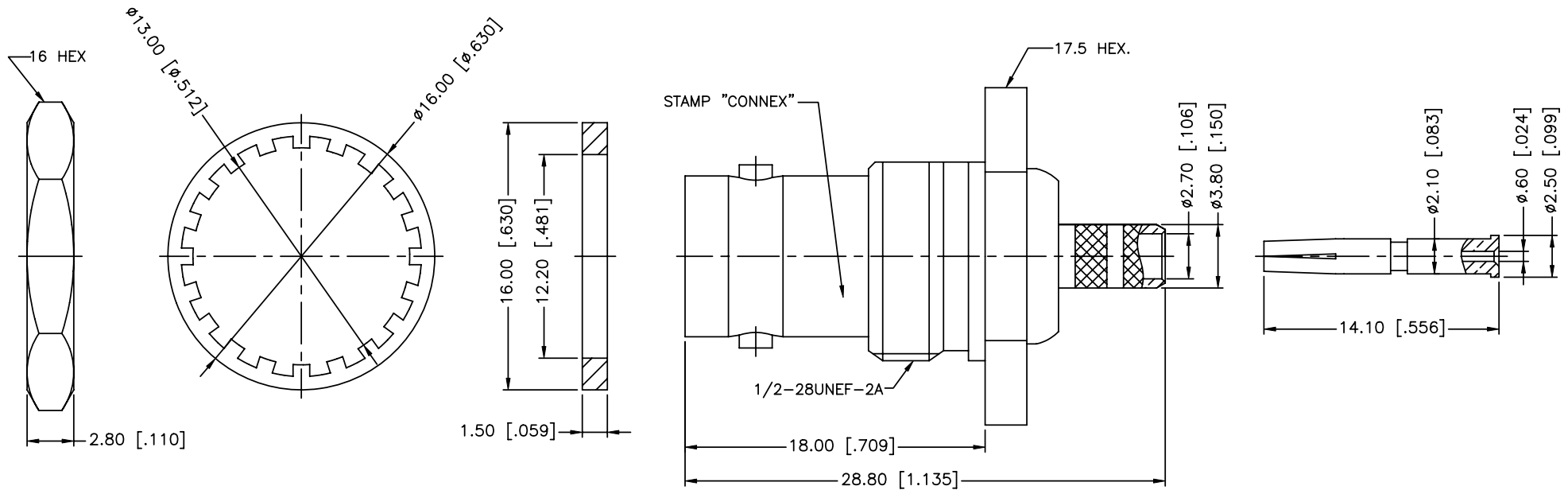


REV.	DATE	ECR NO.	DESCRIPTION
A	02/10/10	XXXXXX	UPDATE DRAWING FORMAT



RECOMMENDED
CABLE STRIPPING DIM'S

RECOMMENDED
MOUNTING HOLE

- NOTES:
1. CRIMPED FERRULE
HEX CRIMP SIZE .178"
 2. CRIMPED CONTACT PIN
HEX CRIMP SIZE .068"
 3. MAX. PANEL THICKNESS=3.5mm

QTY	DESCRIPTION	MATERIAL	FINISH
10	FERRULE	BRASS	NICKEL
9	SLEEVE	DELTRIN	NATURAL
8	CONTACT PIN	PHOSPHOR BRONZE	GOLD
7	HEX NUT	BRASS	NICKEL
6	LOCK WASHER	BRASS	NICKEL
5	GASKET	RUBBER	RED
4	BARREL	BRASS	NICKEL
3	INSULATOR	DELTRIN	NATURAL
2	BODY	BRASS	NICKEL
1	HOUSING	BRASS	NICKEL

UNLESS OTHERWISE SPECIFIED DIMENSIONS ARE IN MILLIMETERS. DIMENSIONS IN [] ARE IN INCHES AND FOR CUSTOMER REFERENCE ONLY.

UNLESS OTHERWISE SPECIFIED TOLERANCES FOR MILLIMETERS ARE:
0.5 - 8mm ± 0.20mm
8 - 30mm ± 0.40mm
30 - 120mm ± 0.50mm

UNLESS OTHERWISE SPECIFIED TOLERANCES FOR INCHES ARE:
.020 - .315 = ± 0.007"
.315 - 1.180 = ± 0.015"
1.180 - 4.724 = ± 0.020"

DO NOT SCALE DRAWING

APPROVALS	DATE
DRAWN TANGOR	02/10/10
CHECKED	
ISSUED	
SHEET 1 OF 1	
CAD FILE C:/CONNEX/112234.DWG	

PART DESCRIPTION			
Amphenol Connex			
BNC BULKHEAD CRIMP JACK FOR RG 174, 316 AND 188/U CABLE			
PART NO.		112234	
DWG. NO.	112234.DWG	REV.	A
SIZE	A	SCALE	NA

Mouser Electronics

Authorized Distributor

Click to View Pricing, Inventory, Delivery & Lifecycle Information:

[Amphenol:](#)

[112234](#)