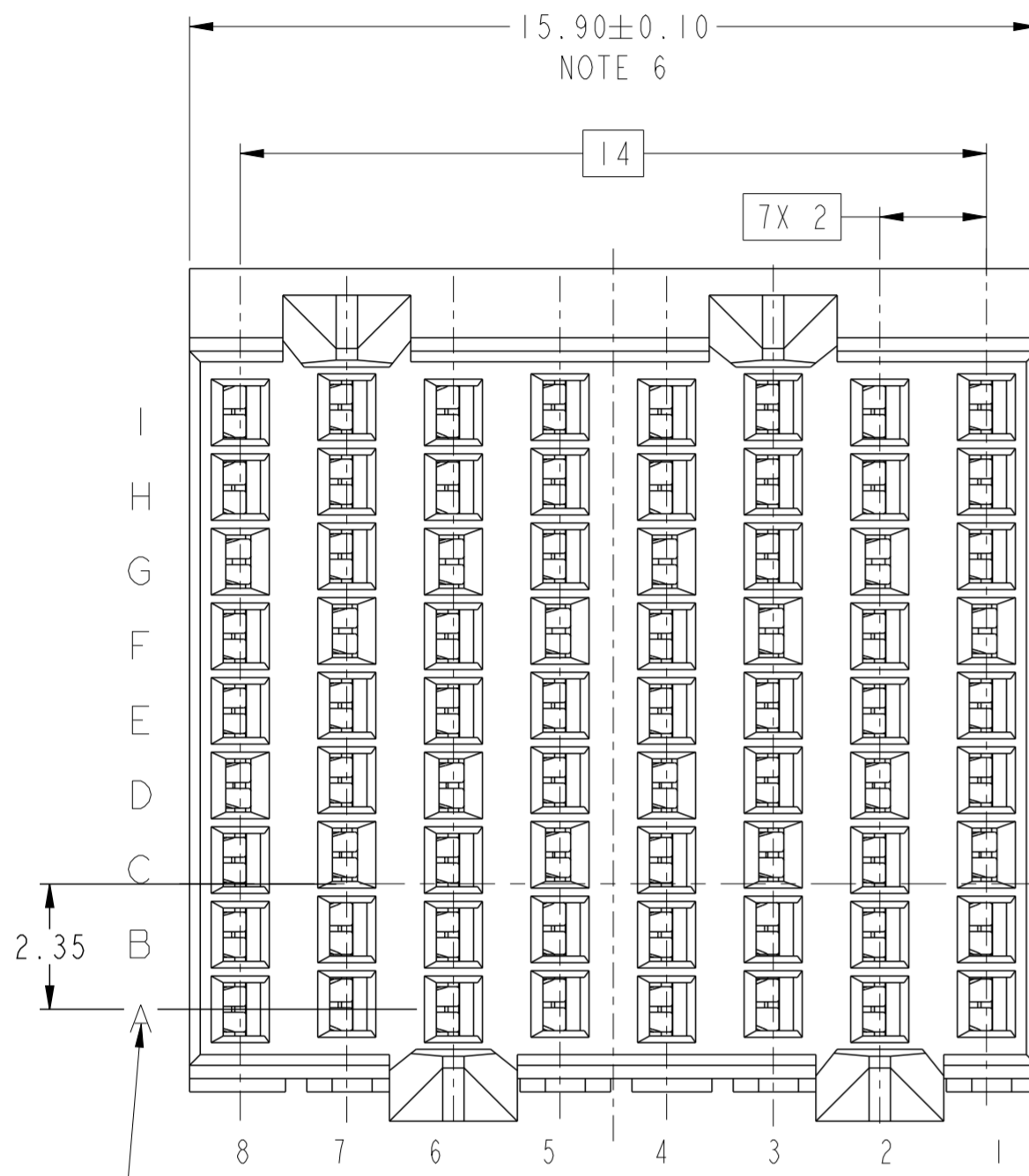


PRODUCT NUMBER
SEE SHEET 3



TOP SURFACE OF DAUGHTER CARD

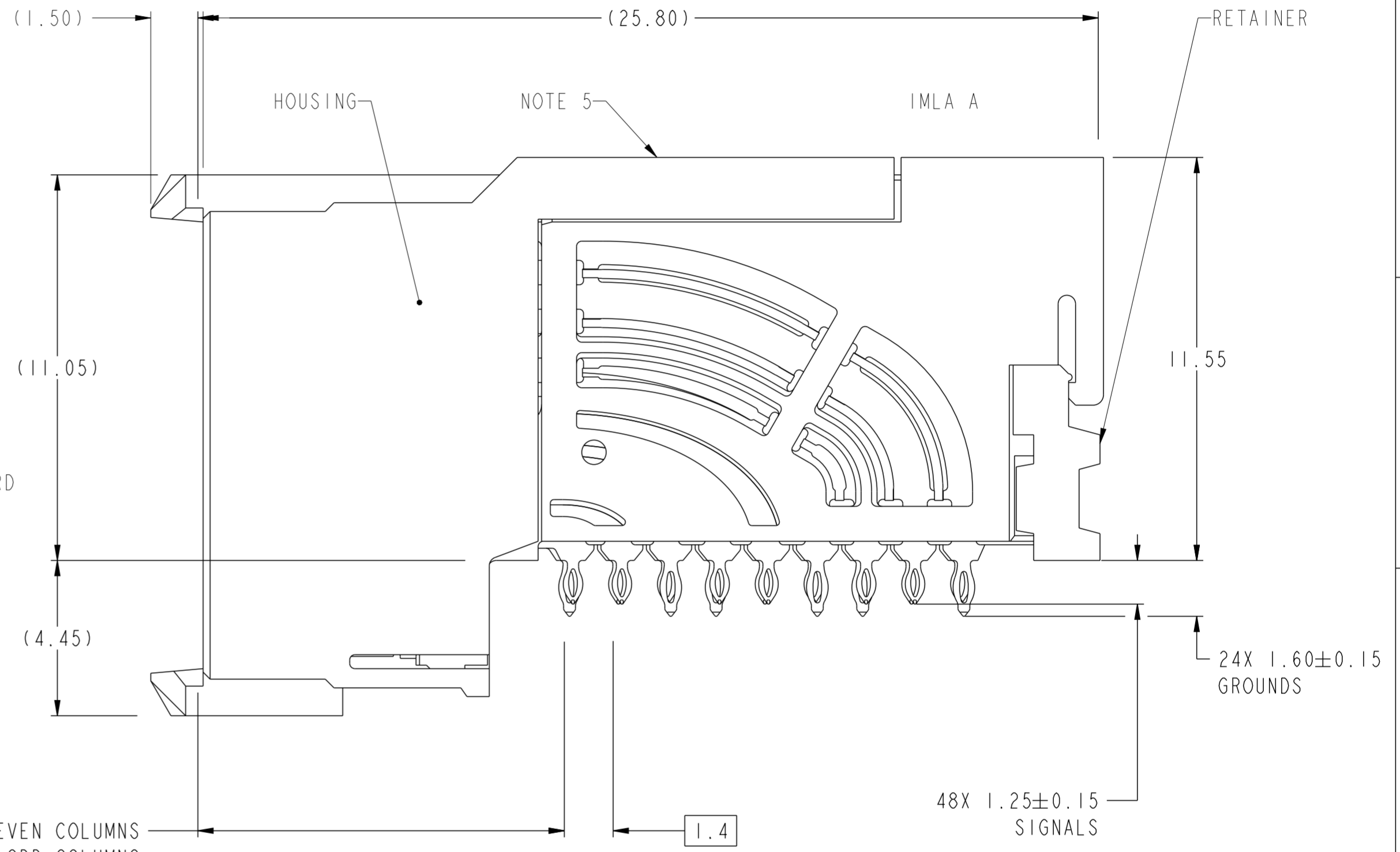
2.25

COLUMN ID

EVEN COLUMN, CONTACT ROW ID
ODD AND EVEN COLUMNS ARE OFFSET

ODD COLUMN, CONTACT ROW ID

10.50¢ OF EVEN COLUMNS
10.60¢ OF ODD COLUMNS



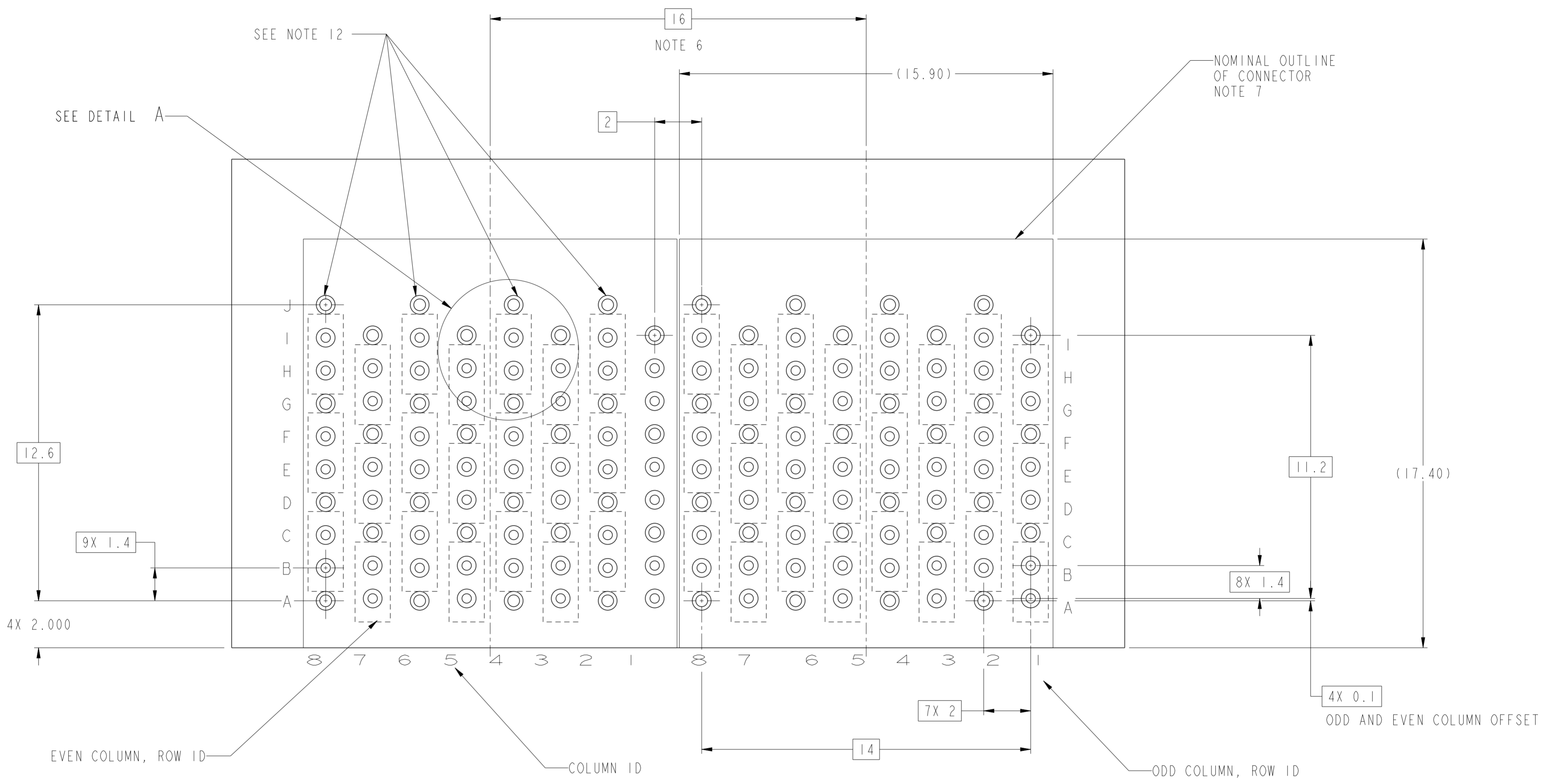
spec ref	---	dr	Lin-Soe Ngwe	2013/03/20	projection	MM	size	A2	scale	1:1	
tolerance std	ASME Y14.5M	eng	Jeny Ren	2015/02/04			ecn no	ELX-DG-20165-1			
TOLERANCES UNLESS OTHERWISE SPECIFIED		chr	-				rel level	Released			
surface	✓	appr	Collins Lu	2015/02/06			product family	AirMax VSE			
linear	0.X ±.3 0.XX ±.10 0.XXX ±.050			AIRMAX VS2 R.A. RECEPTACLE ASS'Y, 3 PAIR, 72 POS, 8 IMLA, 16MM, Small PF		dwg no	10124756			rev	B
angular	0° ±°	www.fci.com		cat. no.	Product - Customer Drw			sheet 1 of 3			

PDS: Rev :B

STATUS:Released

Printed: Feb 09, 2015

Copyright FCI. FCI



RECOMMENDED PCB LAYOUT
 FOR DIFFERENTIAL APPLICATIONS
 COMPONENT SIDE
 (TWO ADJACENT FOOTPRINTS SHOWN)
 NOTES 6, 8, & 11

Copyright FCI.
FCI

spec ref	---	dr	Lin-Soe Ngwe	2013/03/20	projection	MM	size	A2	scale	1:1	
tolerance std	ASME Y14.5M	eng	Jeny Ren	2015/02/04			ecn no	ELX-DG-20165-1	rel level	Released	
TOLERANCES UNLESS OTHERWISE SPECIFIED		chr	-	appr							Collins Lu
surface	✓	linear	0.X	±.3		AIRMAX VS2 R.A. RECEPTACLE ASS'Y, 3 PAIR, 72 POS, 8 IMLA, 16MM, Small PF	dwg no 10124756	rev B	cat. no. -	Product - Customer Drw	sheet 2 of 3
			0.XX	±.10							
			0.XXX	±.050							
		angular	0°	±°	www.fci.com						

PDS: Rev :B

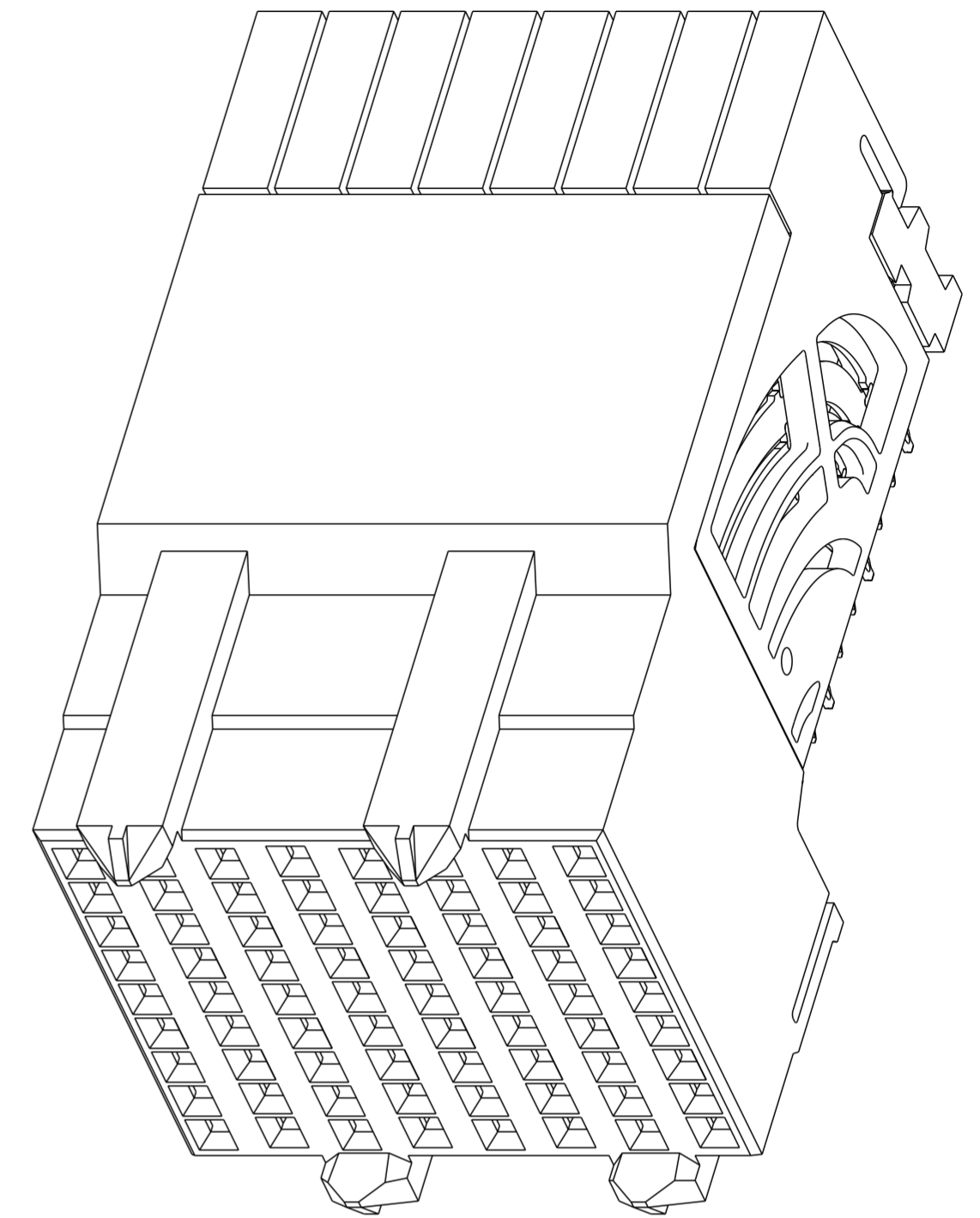
STATUS:Released

Printed: Feb 09, 2015

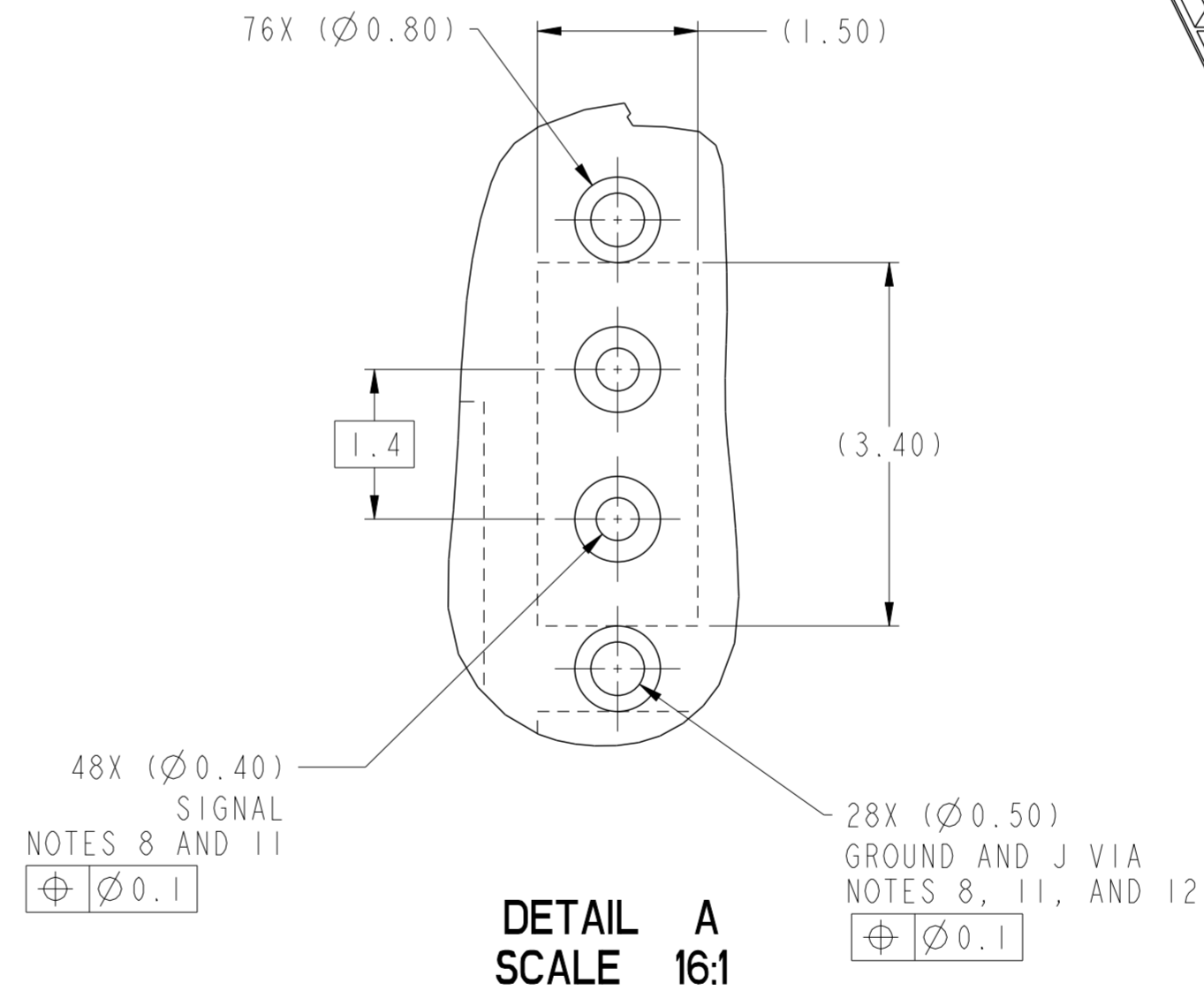
PRODUCT NUMBER	PRESS-FIT TAIL PLATING TYPE
10124756-101	TIN/LEAD ALLOY OVER NICKEL
10124756-101LF	TIN OVER NICKEL (LEAD FREE)

- ① - CONNECTOR MATERIALS:
HOUSING: HIGH TEMP THERMOPLASTIC, NATURAL, UL94-V0
IMLA PLASTIC: HIGH TEMP THERMOPLASTIC, BLACK, UL94-V0
CONTACT: COPPER ALLOY
ORGANIZER: HIGH TEMP THERMOPLASTIC, WHITE, UL94-V0
- 2 - CONTACT PLATING:
SEPARABLE INTERFACE:
PERFORMANCE BASED PLATING, QUALIFIED TO MEET THE REQUIREMENTS OF FCI PRODUCT SPECIFICATION GS-12-0956 INCLUDING TELCORDIA GR-1217-CORE (NOVEMBER 1995) CENTRAL OFFICE TEST SEQUENCE

PRESS-FIT TAILS: SEE TABLE
- 3 - PRODUCT SPECIFICATION: GS-12-0956
- 4 - APPLICATION SPECIFICATION: GS-20-0305.
- ⑤ - PRODUCT MARKING, (PART NUMBER & LOT CODE), ON THIS SURFACE.
- ⑥ - THE MINIMUM CENTERLINE SPACING BETWEEN ADJACENT MODULES IS 16.0 MM.
- ⑦ - CONNECTOR OUTLINE MAY BE SCREEN PRINTED ONTO CUSTOMER PCB TO BE USED AS A GUIDE FOR MANUAL CONNECTOR PLACEMENT.
- ⑧ - REFER TO CUSTOMER DRAWING 10104444 FOR INFORMATION ON PCB HOLE DIAMETERS AND PLATING OPTIONS
- 9 - LEAD FREE PRODUCT MEETS THE EUROPEAN UNION DIRECTIVES & OTHER COUNTRY REGULATIONS AS DESCRIBED IN GS-22-008
- 10 - PACKAGING MEETS GS-14-920 LEAD FREE LABELING SPECIFICATION.
- ⑪ - GROUND CONTACTS (C,F, AND I IN ODD COLUMNS AND A, D, AND G, EVEN COLUMNS) REQUIRE (Ø0.500) FINISHED HOLES. SIGNAL LOCATIONS REQUIRE (Ø0.400) FINISHED HOLES.
- ⑫ - THESE OUTER VIAS (J) ARE OPTIONAL. WHILE NO CONNECTOR EONS ARE PRESSED INTO THESE HOLES WE RECCOMEND (Ø0.500) FINISHED HOLES AT THESE LOCATIONS TO PROVIDE GROUND SYMMETRY THROUGH THE PCB.
- 13 - A $\triangle B$ SYMBOL WILL BE NEXT TO ANY DIMENSION, VIEW OR NOTE, WHICH HAS BEEN MODIFIED WITH THE CURRENT DRAWING REVISION.



10124756-101 OR -101LF



spec ref	---	dr	Lin-Soe Ngwe	2013/03/20	projection	MM	size	A2	scale	4:1
tolerance std	ASME Y14.5M	eng	Jeny Ren	2015/02/04			ecn no	ELX-DG-20165-1		
TOLERANCES UNLESS OTHERWISE SPECIFIED		chr	-	appr			Collins Lu	2015/02/06	product family	rel level
surface	✓	linear	0.X	±.3		AIRMAX VS2 R.A. RECEPTACLE ASS'Y, 3 PAIR, 72 POS, 8 IMLA, 16MM, Small PF		10124756		B
			0.XX	±.10						
			0.XXX	±.050						
angular	0°	±°	www.fci.com	cat. no.	Product - Customer Drw	sheet 3 of 3				

Mouser Electronics

Authorized Distributor

Click to View Pricing, Inventory, Delivery & Lifecycle Information:

[FCI / Amphenol:](#)

[10124756-101LF](#)