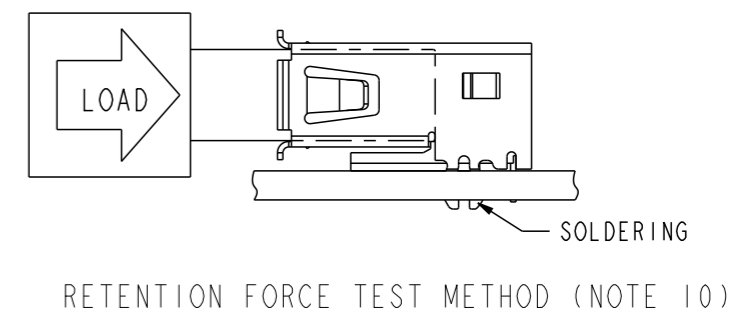
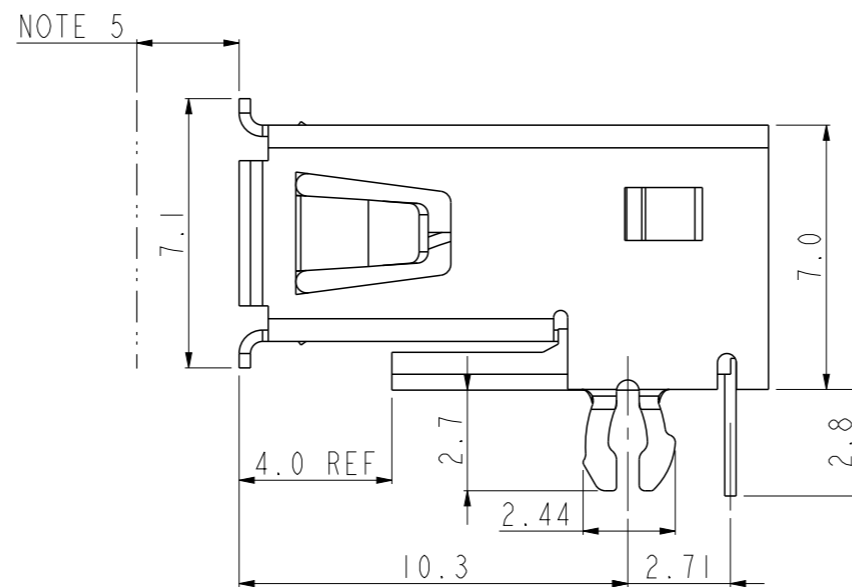
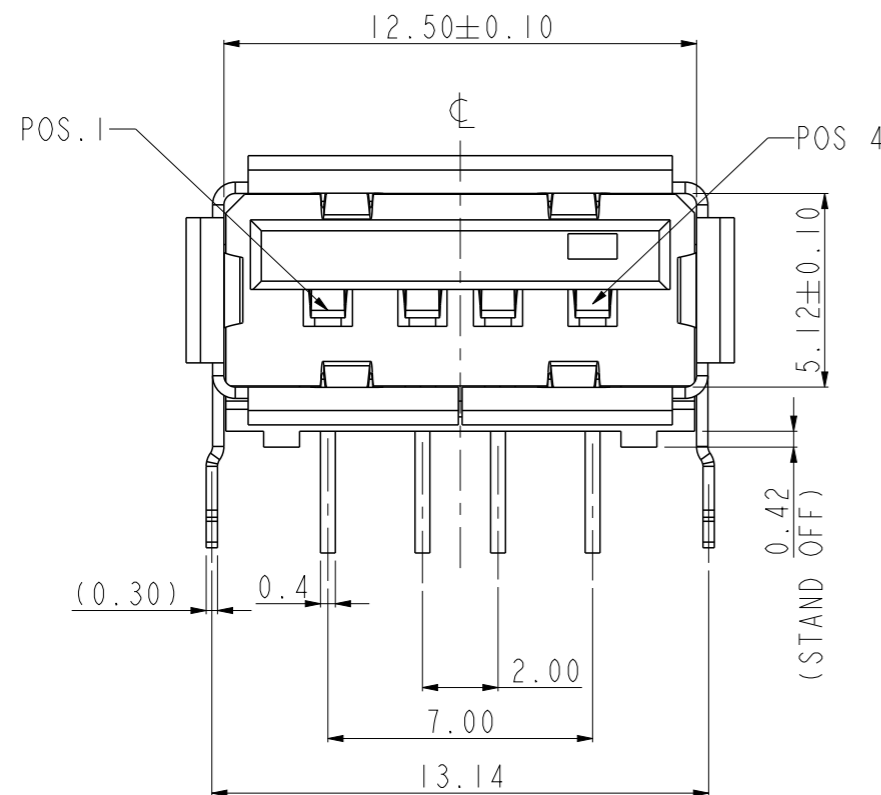


NOTES:

1. MATERIAL:
CONTACTS: COPPER ALLOY
SHELL: COPPER ALLOY
HOUSING: UL 94V-0 RATED, HIGHT TEMPERATURE THERMOPLASTIC;
2. PLATING:
CONTACTS: SEE PRODUCT NUMBER CODE
SHELL: SEE PRODUCT NUMBER CODE;
3. DATUM AND BASIC DIMENSIONS ESTABLISHED BY CUSTOMER;
4. RECOMMENDED PC BOARD THICKNESS OF 1.57mm
5. 2.67mm MAXIMUM PANEL THICKNESS IF MOUNTED BEHIND PANEL;
6. PRODUCT SPEC GS-12-095
7. PACKING STANDARD GS-14-920, WILL BE APPLIED FOR LEAD FREE P/N'S;
8. THE PRODUCT MEET EUROPEAN UNION DIRECTIVES AND OTHER COUNTRY REGULATION AS DESCRIBED IN GS-22-008;
9. THE HOUSING WILL WITHSTAND EXPOSURE TO 260~C PEAK TERMERATURE FOR 20 SECONDS IN A CONVECTION, INFRO-RED OR VAPOR PHASE REFLOW OVEN;
10. HOUSING PULL OFF THE SHELL RETENTION FORCE: 250N MIN;
11. THE PRODUCT CAN BE USED PIP PROCESS.



spec ref	dr	Li-Qing Lei	2014/04/20	projection	MM	size	A3	scale	5.000
tolerance std	eng	Li-Qing Lei	2014/04/24			ecn no	-	rel level	Released
TOLERANCES UNLESS OTHERWISE SPECIFIED			chr						
surface ✓	linear	0.X	±0.3		title USB RECECPTACLE R/A, T/H, A TYPE	dwg no 10129475	rev A	Product - Customer Drw	
		0.XX	±0.2					sheet 1 of 2	
		0.XXX	±0.1						
	angular	0°	±3°	www.fci.com	cat. no.	Product - Customer Drw		sheet 1 of 2	

A

B

C

D

A

B

C

D

PRODUCT NUMBER DESCRIPTION

10129475- X X X X X X LF

BASE PRODUCT NUMBER _____

HOUSING COLOR _____
0 - BLACK

SHELL TYPE AND SHELL PLATING OPTIONS _____
I - NO BACK SHIELD, NICKEL PLATING ONLY

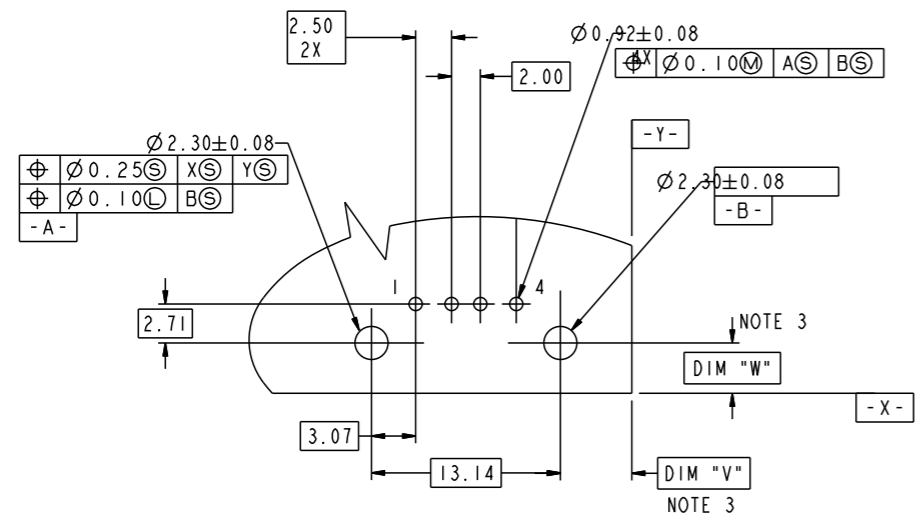
EXTENSION _____
0 - NONE

TERMINAL PLATING OPTION _____
0 - 1.25um Ni UNDERPLATE
0.76um GXT CONTACT AREA
2.50um MATTE TIN TAIL AREA FOR P/N'S

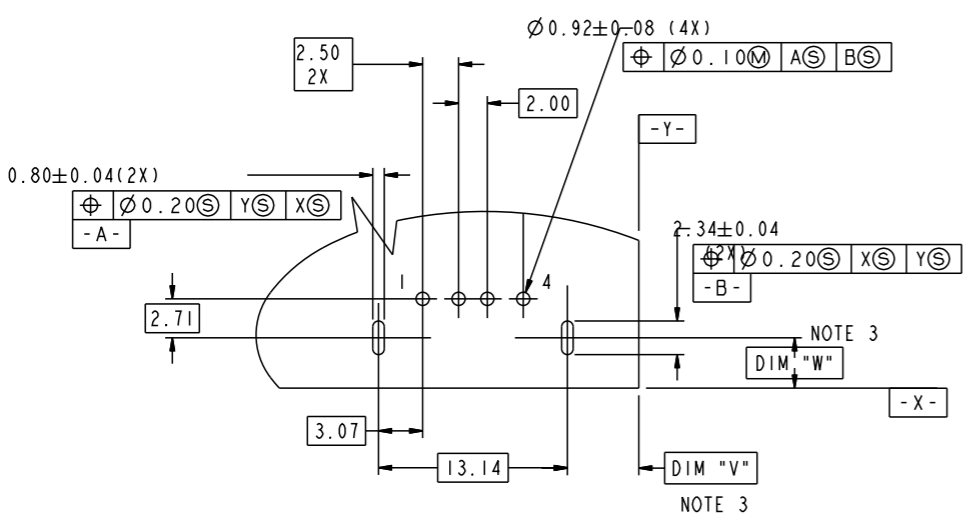
PACKAGING OPTIONS _____
A - TAPE AND REEL
B - TUBES
T - TRAY

DATE CODE _____
P - PRINT DATECODE
N - WHITHOUT DATECODE

LEAD FREE _____



RECOMMENDED PCB LAYOUT
TYPE 1



RECOMMENDED PCB LAYOUT
TYPE 2



Copyright FCI.

spec ref		dr	Li-Qing Lei	2014/04/20	projection	MM	size	A3	scale	5.000
tolerance std		eng	Li-Qing Lei	2014/04/24			ecn no		-	
TOLERANCES UNLESS OTHERWISE SPECIFIED		chr	-	-			rel level		Released	
surface	<input checked="" type="checkbox"/> linear		0.X	±0.3		USB RECEPTACLE R/A, T/H, A TYPE	dwg no 10129475	rev		A
			0.XX	±0.2				Product - Customer Drw		sheet 2 of 2
			0.XXX	±0.1				PDS: Rev :A		STATUS:Released
		angular	0°	±3°	www.fci.com	cat. no.				

Mouser Electronics

Authorized Distributor

Click to View Pricing, Inventory, Delivery & Lifecycle Information:

[FCI / Amphenol:](#)

[10129475-0100APLF](#)