

BF1 Fuses



One Hole BF1 Fuses

BF1 and One-Hole BF1 Fuse Rated 32V

This BF1 fuse is rated at 32V and offers a bolt-on fuse for high current wiring protection. Current rating 23A - 200A; with transparent housing material for easy detection of blown fuses. One-Hole BF1 fuses have a current rating 60-125A.

Specifications

Operating Temperature:	-40 to 125 degrees C
Housing Material:	PET-GF30
Clear Housing Material:	PES
Terminals:	Copper alloy, gal. Sn 2 x M5 or M6 bolts, distance 30 mm
Mounting Torque M5:	4.5 Nm +/- 1Nm
Mounting Torque M6:	6.0 Nm +/- 1Nm
Interrupting Rating:	23A & 30A: 1000A @32 VDC 40A - 150A: 2000A @32 VDC 200A: 1500A @32 VDC
Complies with:	ISO 8820-5, UL 248 Special Purpose Fuses



Ordering Information

Part Number	Package Size	Bolt Size	Bolt Hole Qty	Ratings
153.5631.xxx2	1000	M5	2	30A-200A
153.5631.xxx1	10	M5	2	30A-200A
153.7010.xxx2	1000	M6	2	30A-150A
153.7000.xxx2	500	M6	2	200A
153.0010.xxx2	1000	M6	1	60A-125A
153.0020.xxx2	500	--	0	30A-200A

Time-Current Characteristics

% of Rating	Opening Time Min / Max (s)	
	23-150A Fuses	200A Short Circuit Protectors
75	- / -	360,000 s / -
100	360,000 s / -	- / -
110	14,400 s / -	- / -
150	90 s / 3,600 s	- / -
200	3 s / 100 s	1 s / 15 s
300	0.300 s / 3 s	- / -
350	- / -	0.300 s / 5 s
500	0.100 s / 1 s	- / -
600	- / -	0.100 s / 1 s

Ratings

Part Number		Current Rating (A)	Housing Material Color	Typ. Voltage Drop (mV)	Cold Resistance (mΩ)	I ² t (A ² s)
M5	M6					
153.5631.523_1,2	-	23	Yellow	105	3.50	1,400
153.5631.530_	153.7010.530_	30	Orange	105	2.70	5,100
153.5631.540_	153.7010.540_	40	Green	90	1.56	6,800
153.5631.550_	153.7010.550_	50	Red	80	1.03	6,900
153.5631.560_	153.7010.560_	60	Yellow	75	0.75	16,200
153.5631.570_	153.7010.570_	70	Brown	70	0.64	22,000
153.5631.580_	153.7010.580_	80	White	70	0.55	25,600
153.5631.610_	153.7010.610_	100	Blue	70	0.44	42,500
153.5631.612_	153.7010.612_	125	Pink	70	0.34	62,500
153.5631.615_1	153.7010.615_1	150	Grey	70	0.29	83,400
153.5631.620_3	153.7000.620_3	200	Purple	70	0.24	126,000

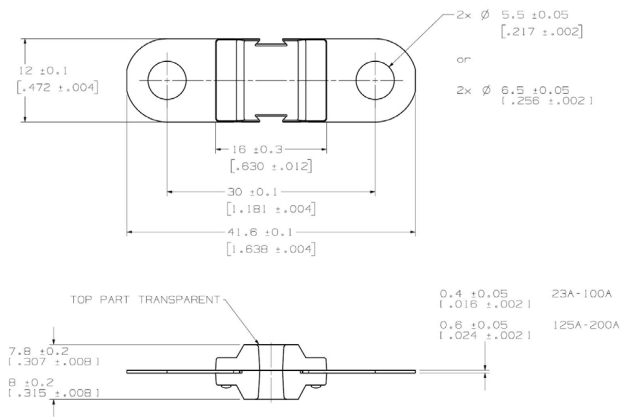
Corresponding holder see Section "Fuse Holders."

Note 1: not mentioned in ISO standard Note 2: Not UL rated Note 3: Short Circuit Protector only Note 4: For 1-Hole and No-Hole values, refer to 2-Hole version values

BF1 and One-Hole BF1 Fuse Rated 32V

Dimensions

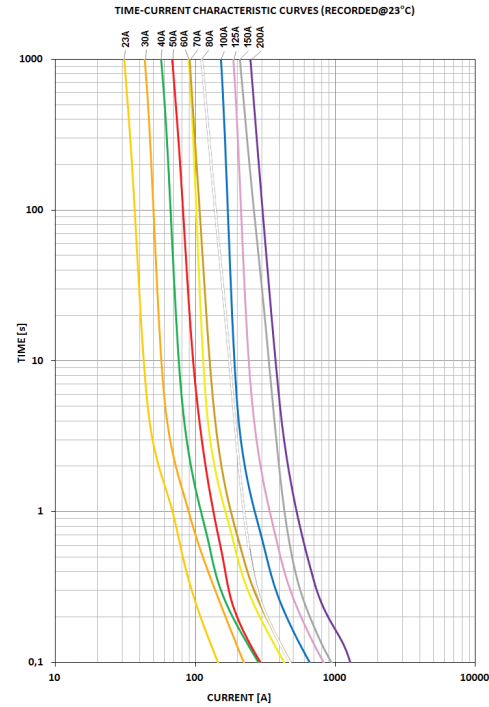
Dimensions in mm



Derating

Individual derating curves by rating can be ordered through your Littelfuse contact person.

Pre-Arcing Time-Limits



23 A - 150 A: FI = 1.25 (max. operating current: $0.8 \times I_{rat}$ at 23°C)

200 A: FI = 2.00 (max. operating current: $0.5 \times I_{rat}$ at 23°C)

Mouser Electronics

Authorized Distributor

Click to View Pricing, Inventory, Delivery & Lifecycle Information:

Littelfuse:

[153.5631.5802](#) [153.5631.5402](#) [153.5631.6152](#) [153.5631.6122](#) [153.5631.6102](#) [153.5631.5502](#) [153.5631.5302](#)
[153.5631.5702](#) [153.5631.5602](#) [153.5631.6202](#) [153.5631.6101](#) [153.7010.5602](#) [153.7010.5802](#) [153.7010.6152](#)
[153.7010.6102](#) [153.5631.5801](#) [153.7010.5502](#) [153.5631.5601](#) [153.7010.5402](#) [153.5631.5401](#) [153.5631.6201](#)
[153.5631.6121](#) [153.7000.6202](#) [153.5631.5301](#) [153.5631.6151](#) [153.7010.6122](#) [153.7010.5702](#) [153.7010.5302](#)
[153.5631.5701](#) [153.5631.5501](#) [153.5631.5232](#) [153.5600.0002](#)