

DIN rail - NS 15 BLK PERF 2000MM - 1401608

Please be informed that the data shown in this PDF Document is generated from our Online Catalog. Please find the complete data in the user's documentation. Our General Terms of Use for Downloads are valid (<http://phoenixcontact.com/download>)



DIN rail, material: steel, perforated, height 5.5 mm, width 15 mm, length: 2 m

The illustration shows variant NS 15 in the perforated and unperforated version

Product Features

- If you require greater quantities, the same article is available in a unit pack of 25 pcs. (50 m)



Key Commercial Data

Packing unit	1 M
Minimum order quantity	5 M
Weight per Piece (excluding packing)	150.0 g
Custom tariff number	72166190
Country of origin	Germany

Technical data

Dimensions

Height	5 mm
Length	2000 mm
Width	15 mm

General

Material	Steel
Coating	uncoated
Color	white aluminum
Test standard	In acc. with EN 60715: 2001
Nominal current I_N	1200 A

Standards and Regulations

DIN rail - NS 15 BLK PERF 2000MM - 1401608

Technical data

Standards and Regulations

Test standard	In acc. with EN 60715: 2001
Connection in acc. with standard	IEC / EN

Classifications

eCl@ss

eCl@ss 4.0	27110804
eCl@ss 4.1	27110804
eCl@ss 5.0	27141143
eCl@ss 5.1	27141143
eCl@ss 6.0	27400602
eCl@ss 7.0	27400602
eCl@ss 8.0	27400602

ETIM

ETIM 2.0	EC001285
ETIM 3.0	EC001285
ETIM 4.0	EC000212
ETIM 5.0	EC000212

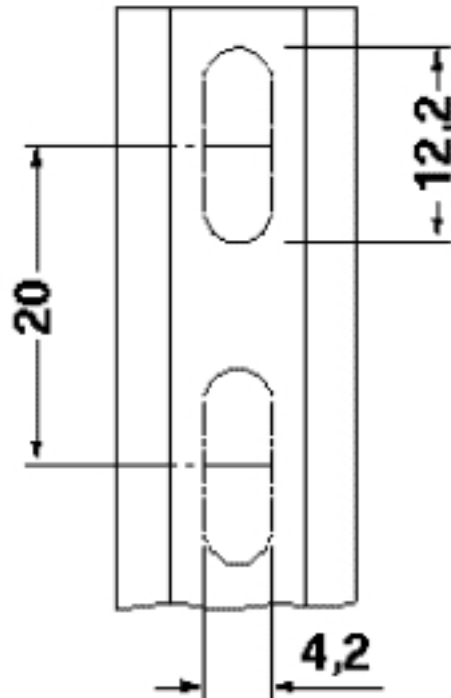
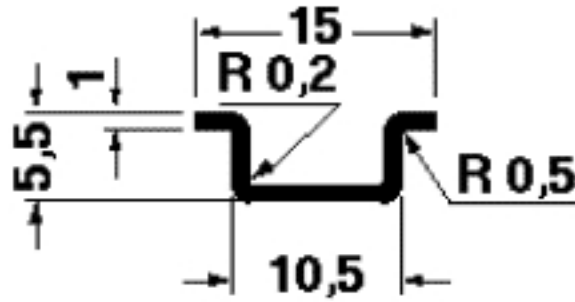
UNSPSC

UNSPSC 6.01	30212109
UNSPSC 7.0901	39121708
UNSPSC 11	39121708
UNSPSC 12.01	39121708
UNSPSC 13.2	39121708

Drawings

DIN rail - NS 15 BLK PERF 2000MM - 1401608

Dimensional drawing



Mouser Electronics

Authorized Distributor

Click to View Pricing, Inventory, Delivery & Lifecycle Information:

[Phoenix Contact:](#)

[1401608](#)