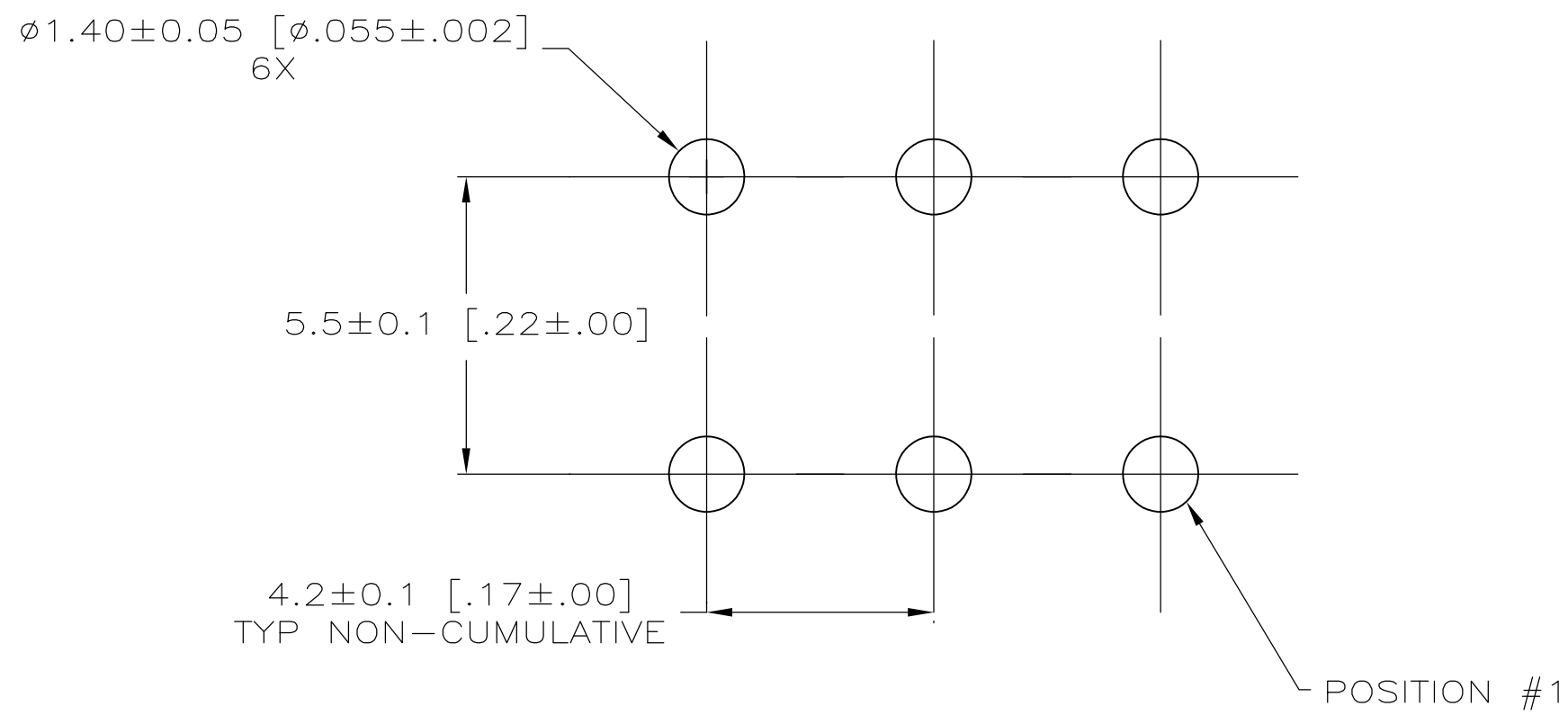
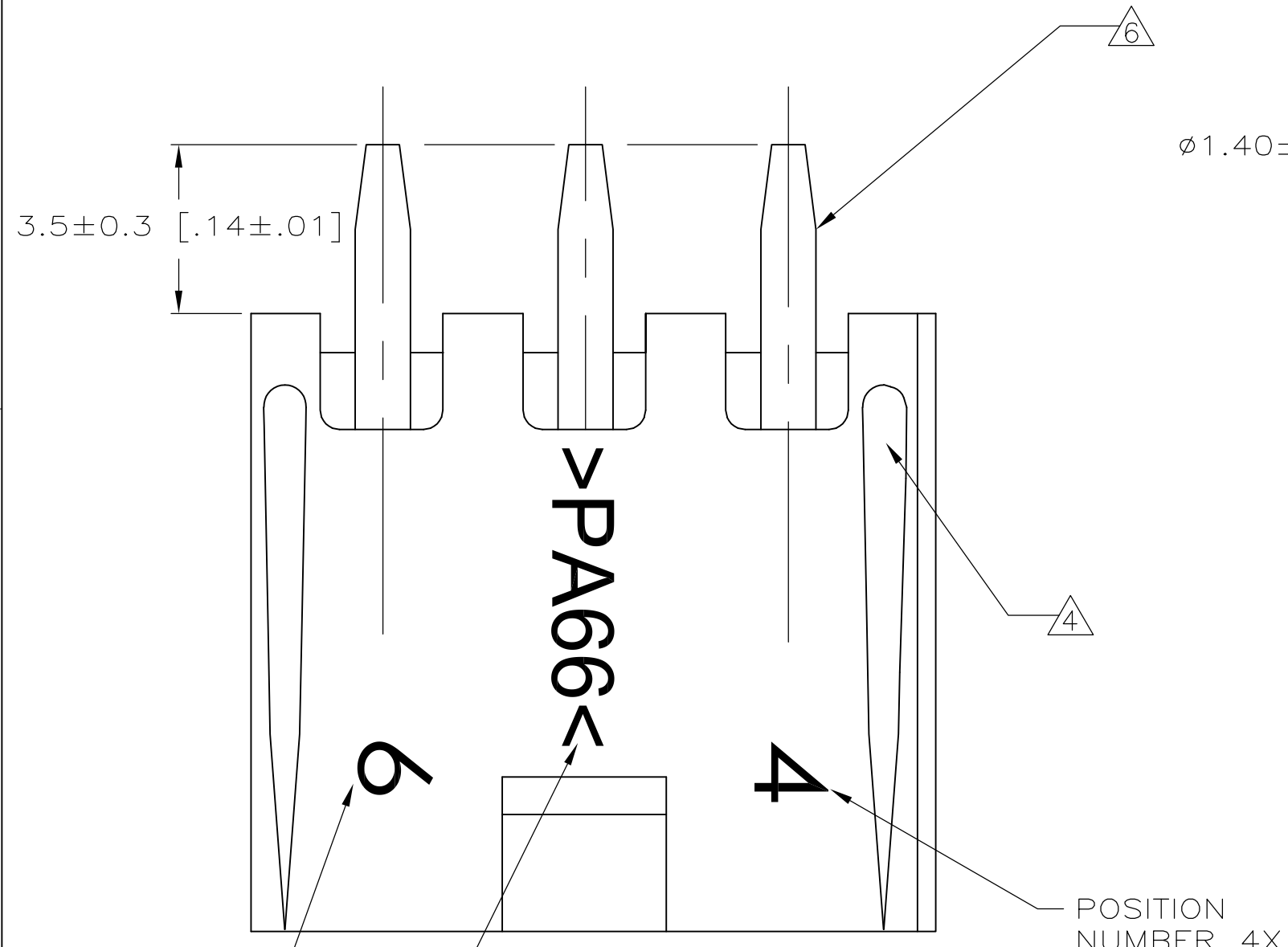


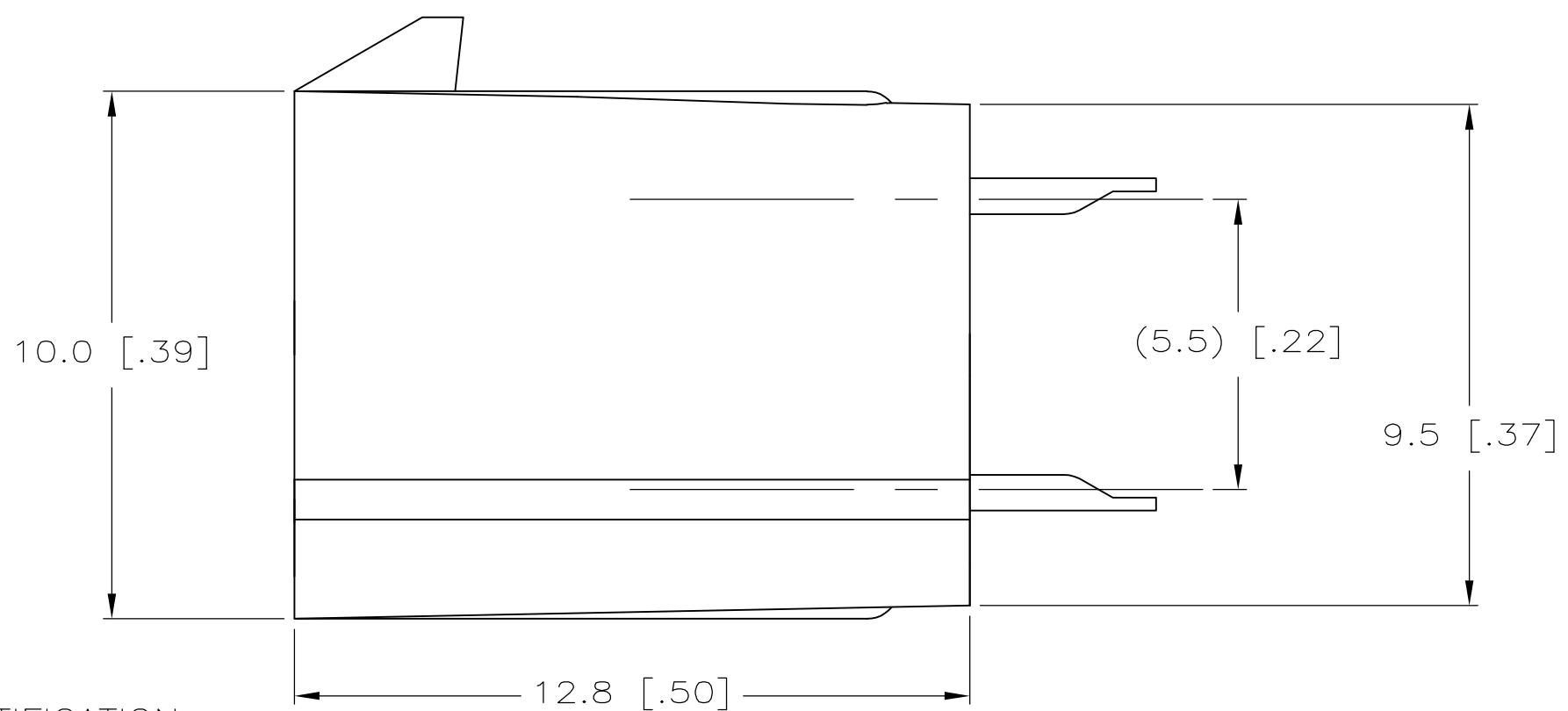
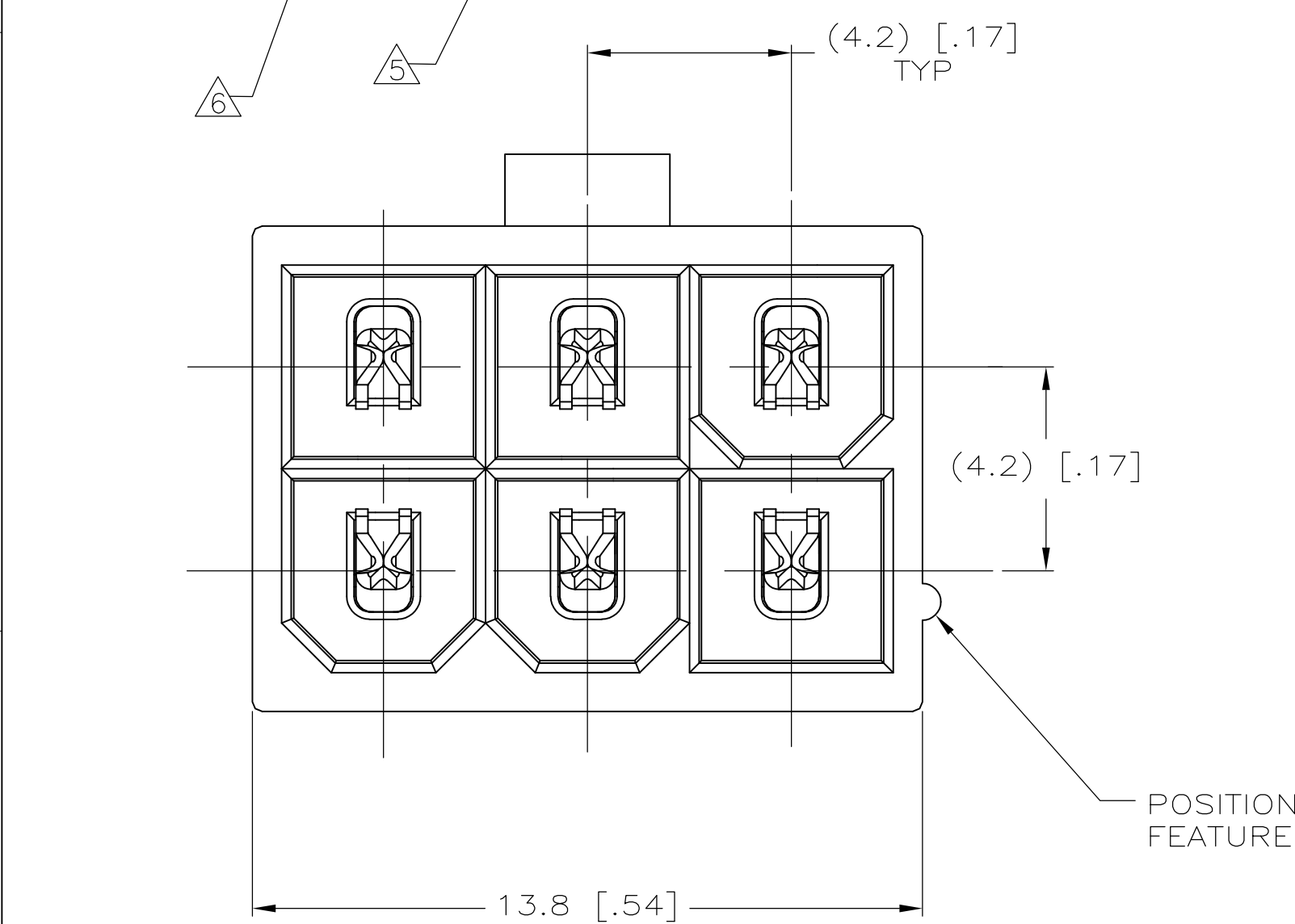
THIS DRAWING IS UNPUBLISHED. RELEASED FOR PUBLICATION  
 © COPYRIGHT BY TYCO ELECTRONICS CORPORATION. ALL RIGHTS RESERVED.

LOC	DIST	REVISIONS			
P	LTR	DESCRIPTION	DATE	DWN	APVD
C		ECO-07-021904	18SEP07	KW	CC



RECOMMENDED MOUNTING HOLE PATTERN FOR 1.78 [.070] MAXIMUM THICK P.C. BOARD COMPONENT SIDE SHOWN.

- ① MATERIAL: HOUSING-NYLON, UL94V-2, COLOR-YELLOW, CONTACTS-0.25 [.010] THICK COPPER ALLOY.
- ② CONTACT FINISH: 0.003 [.0001] MINIMUM THICK TIN-LEAD OVER 0.00127 [.000050] MINIMUM THICK NICKEL OVER ENTIRE CONTACT.
- 3. SOLDER TAIL MEETS AMP SOLDERABILITY SPECIFICATION 109-11-2.
- ④ RIBS ON FOUR CORNERS OPTIONAL.
- ⑤ AMP LOGO AND MATERIAL ID MAY BE LOCATED ON EITHER LONG SIDE OF PART.
- ⑥ SIZE, SHAPE OR STYLE OF THIS FEATURE MAY VARY.
- ⑦ CONTACT FINISH: 0.003 [.0001] MINIMUM THICK TIN OVER 0.00127 [.000050] MINIMUM THICK NICKEL OVER ENTIRE CONTACT.



①	1-1586120-1
②	1586120-1
FINISH	PART NUMBER

SUPERSEDED BY 1-158620-1

THIS DRAWING IS A CONTROLLED DOCUMENT.		DWN S. HOOVER 22-SEP-2003	Tyco Electronics Tyco Electronics Corporation Harrisburg, Pa 17105-3608	
DIMENSIONS: mm [INCHES]		CHK D. COLEY 22-SEP-2003	NAME	
TOLERANCES UNLESS OTHERWISE SPECIFIED:		APVD D. COLEY 22-SEP-2003	ASSEMBLY, HEADER, VERTICAL, TIN PLATED, W/O PEGS, W/O DRAIN HOLES, 94V-2, AMP-DUAC(TM) POWER CONNECTOR	
0 PLC ±	1 PLC ± 0.2 [.01]	PRODUCT SPEC	SIZE A2	CAGE CODE 00779
2 PLC ± 0.13 [.005]	3 PLC ±	APPLICATION SPEC	DRAWING NO. C=1586120	RESTRICTED TO
4 PLC ±	ANGLES ± 0°30'	WEIGHT	SCALE 8:1	SHEET 1 OF 1
MATERIAL	SEE TABLE	CUSTOMER DRAWING	REV C	



# Mouser Electronics

Authorized Distributor

Click to View Pricing, Inventory, Delivery & Lifecycle Information:

[TE Connectivity:](#)

[1-1586120-1](#)