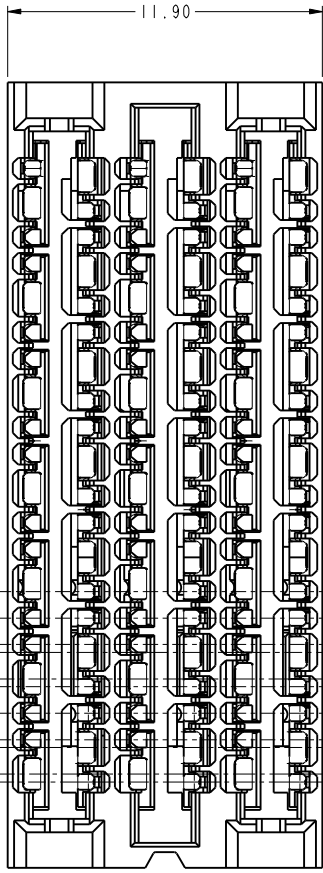


PRODUCT NUMBER
SEE TABLE

EVEN COLUMN CONTACT ROW ID



TOP SURFACE OF DCARD

10125352-101LF
STANDARD MATE RECEPTACLE

(35.60)

HOUSING

SEE NOTE 6

IMLA

(25.10)

(4.60)

9.00
Ø OF ODD COLUMNS

9.20
Ø OF EVEN COLUMNS

19X 1.2
PER COLUMN

42X 1.60±0.15
GROUNDS
SEE NOTE 18

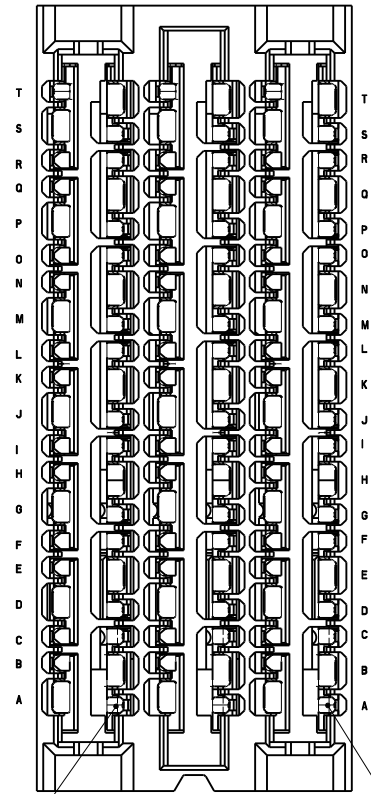
78X 1.40±0.15
SIGNALS

ORGANIZER



Copyright FCI

spec ref	SEE NOTES	dr	SHU CHEN	2013-12-11	projection	MM	size	A2	scale	7:1									
tolerance std	TOLERANCES UNLESS OTHERWISE SPECIFIED	eng	SHU CHEN	2013-12-11			ech no												
ASME Y14.5M		appr					product family	ExaMAX	rel level	In Work									
surface	<table border="1"> <tr> <td>linear</td> <td>0.X</td> <td>±.3</td> </tr> <tr> <td></td> <td>0.XX</td> <td>±.10</td> </tr> <tr> <td></td> <td>0.XXX</td> <td>±.050</td> </tr> <tr> <td>angular</td> <td>0°</td> <td>±°</td> </tr> </table>	linear	0.X	±.3		0.XX	±.10		0.XXX	±.050	angular	0°	±°		ExaMAX R.A. RECEPTACLE ASS'Y, 6 PR, 120 POS, 6 IMLA			ang no 10125352	rev 3
linear	0.X	±.3																	
	0.XX	±.10																	
	0.XXX	±.050																	
angular	0°	±°																	
		www.fci.com	cat. no.	SEE TABLE	Product - Customer Draw		sheet 1 of 10												



ADVANCED MATE POSITION A5
SEE NOTE 13

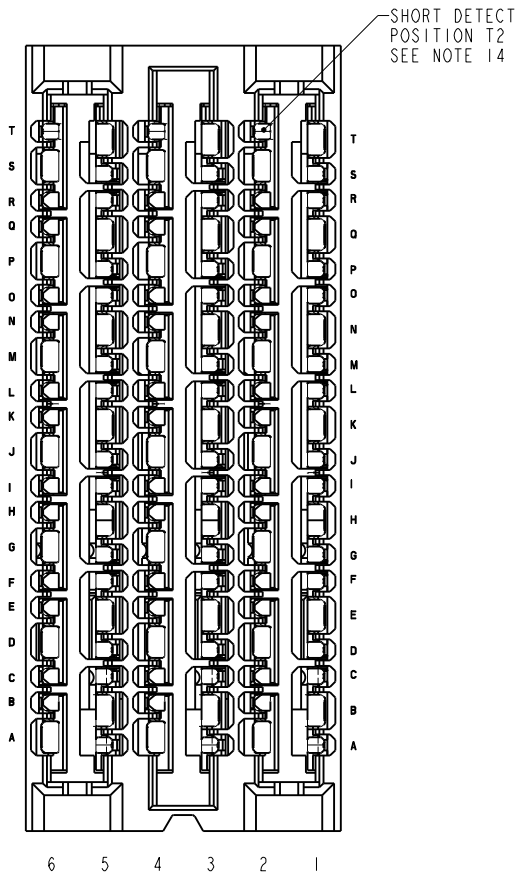
ADVANCED MATE POSITION A1
SEE NOTE 13

10125352-201LF
ADVANCED MATE RECEPTACLE
 ADVANCED MATE POSITIONS ARE POSITIONS A1 AND A5 ONLY
 FOR ALL DIMENSIONS SEE 10125352-101LF ON SHEET 1



Copyright FCI.

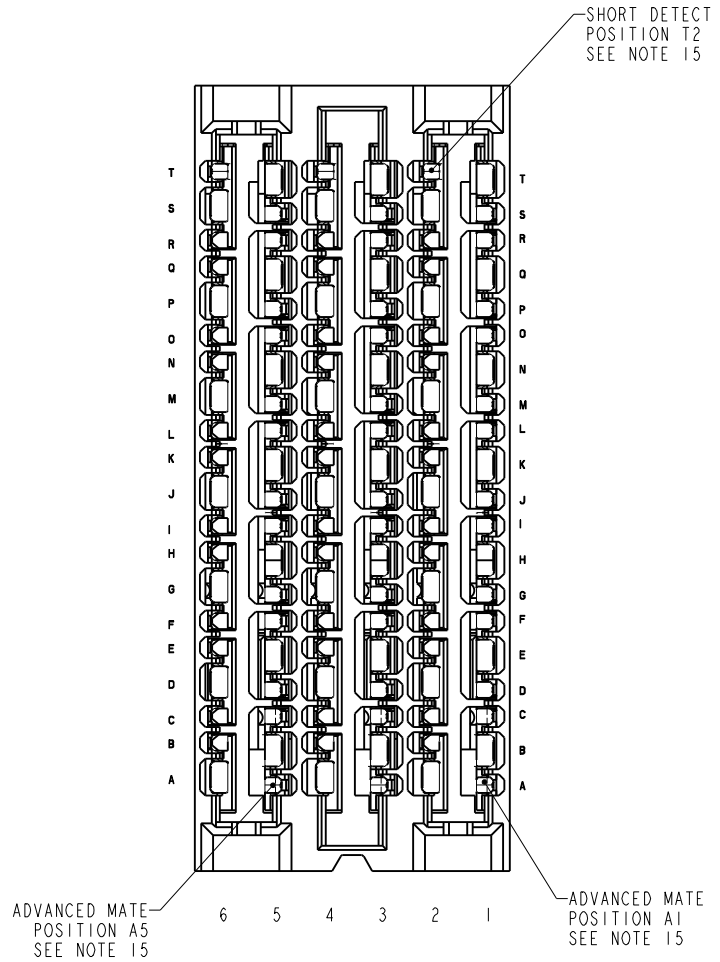
spec ref	SEE NOTES	dr	SHU CHEN	2013-12-11	projection	MM	size	A2	scale	7:1		
tolerance std	TOLERANCES UNLESS OTHERWISE SPECIFIED	eng	SHU CHEN	2013-12-11			ech no					
ASME Y14.5M		chr					product family	ExaMAX	rel level	In Work		
surface		linear	0.X	±.3		ExaMAX R.A. RECEPTACLE	ang no 10125352	rev no 3	www.fci.com	cat. no. SEE TABLE	Product - Customer Draw	sheet 2 of 10
			0.XX	±.10								
			0.XXX	±.050								
		angular	0°	±°								



10125352-301LF
 SHORT DETECT RECEPTACLE
 SHORT DETECT POSITION IS POSITION T2
 FOR ALL DIMENSIONS SEE 10125352-101LF ON SHEET 1



spec ref	SEE NOTES	dr	SHU CHEN	2013-12-11	projection	MM	size	A2	scale	7:1
tolerance std	TOLERANCES UNLESS OTHERWISE SPECIFIED	eng	SHU CHEN	2013-12-11			ech no			
ASME Y14.5M		chr					product family	ExaMAX	rel level	In Work
surface		linear	0.X	±.3		ExaMAX R.A. RECEPTACLE ASS'Y, 6 PR, 120 POS, 6 IMLA	eng no 10125352	rev no 3		
			0.XX	±.10						
			0.XXX	±.050						
		angular	0°	±°	www.fci.com	cat. no.	SEE TABLE	Product - Customer Drw	sheet 3 of 10	

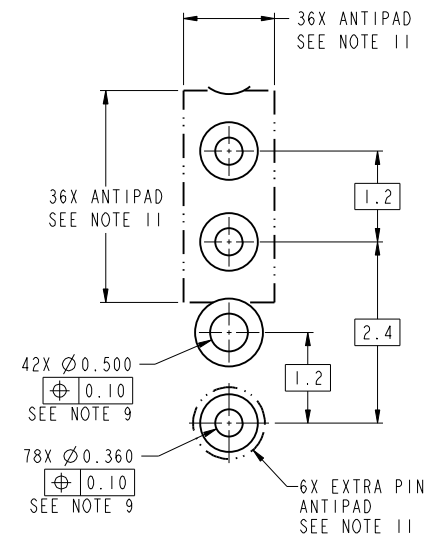
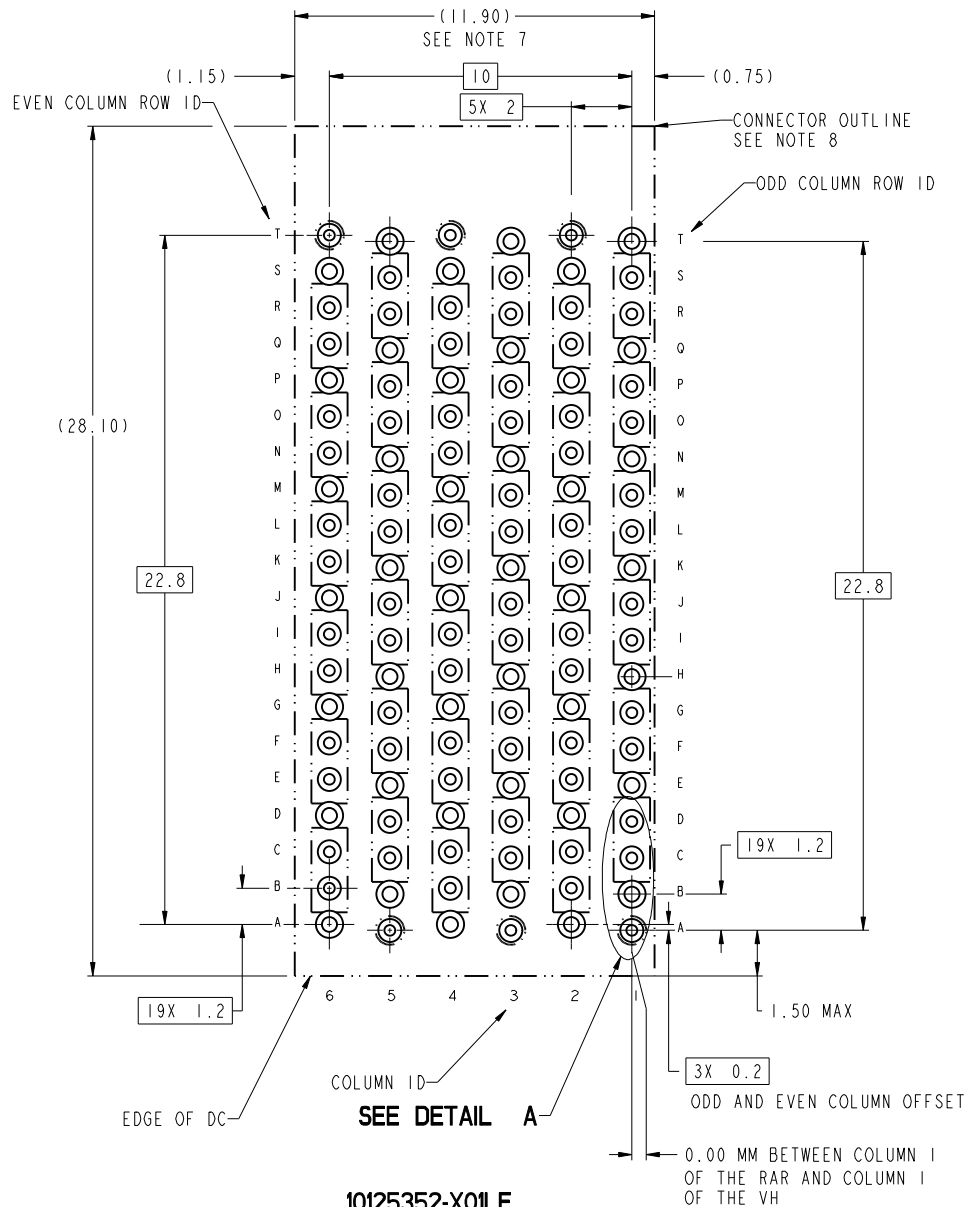


10125352-401LF
ADVANCED MATE/SHORT DETECT RECEPTACLE
 ADVANCED MATE POSITIONS ARE POSITIONS A1 AND A5 ONLY
 SHORT DETECT POSITION IS POSITION T2
 FOR ALL DIMENSIONS SEE 10125352-101LF ON SHEET 1



Copyright FCI.

spec ref	SEE NOTES	dr	SHU CHEN	2013-12-11	projection	MM	size	A2	scale	7:1		
tolerance std	TOLERANCES UNLESS OTHERWISE SPECIFIED	eng	SHU CHEN	2013-12-11			ech no					
ASME Y14.5M		chr					product family	ExaMAX	rel level	In Work		
surface	<input checked="" type="checkbox"/>	linear	0.X	±.3		ExaMAX R.A. RECEPTACLE ASS'Y, 6 PR, 120 POS, 6 IMLA	ang no 10125352	rev no 3	www.fci.com	cat. no. SEE TABLE	Product - Customer Draw	sheet 4 of 10
			0.XX	±.10								
			0.XXX	±.050								
		angular	0°	±°								

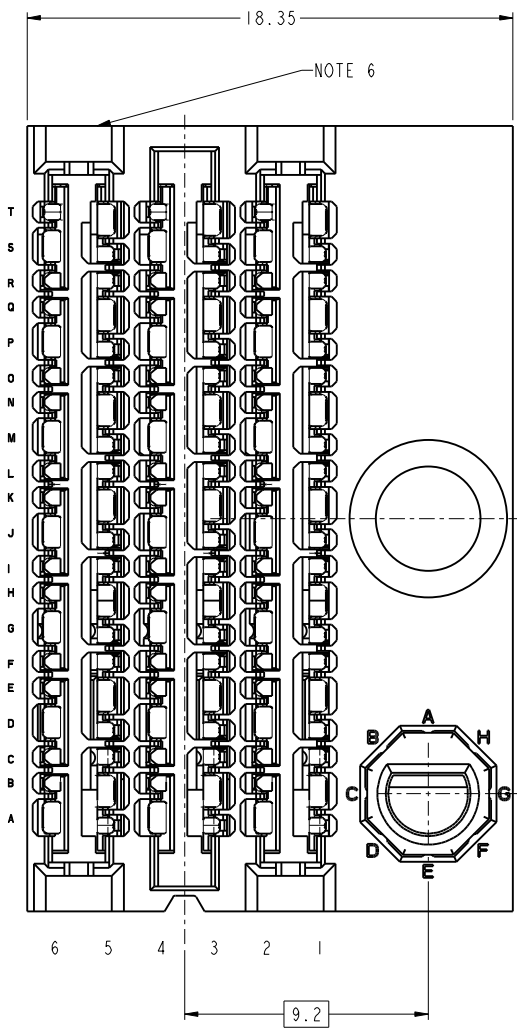


10125352-X01LF
 RECOMMENDED PCB LAYOUT
 COMPONENT SIDE
 NOTES 7, 8, 9, & 11
 SCALE 8:1

spec ref	SEE NOTES	dr	SHU CHEN	2013-12-11	projection	MM	size	A2	scale	1:1
tolerance std	TOLERANCES UNLESS OTHERWISE SPECIFIED	eng	SHU CHEN	2013-12-11			ech no			
ASME Y14.5M		chr					product family	ExaMAX	rel level	In Work
surface	<input checked="" type="checkbox"/> linear <input type="checkbox"/> angular	0.X	±.3		ExaMAX R.A. RECEPTACLE ASS'Y, 6 PR, 120 POS, 6 IMLA		ang no 10125352	rev 3	Product - Customer Draw	
		0.XX	±.10							
		0.XXX	±.050							
		0°	±°	www.fci.com	cat. no.	SEE TABLE			sheet 5 of 10	



Copyright FCI.



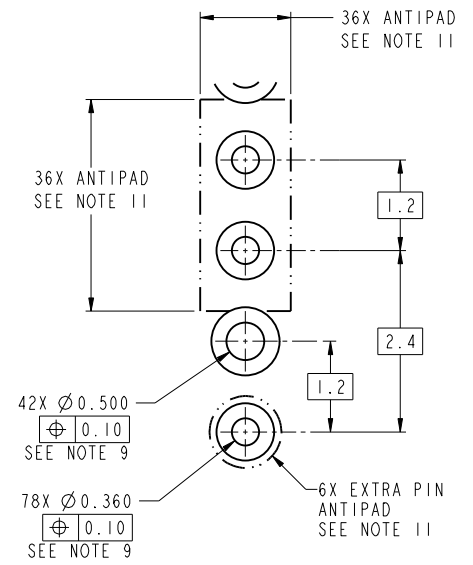
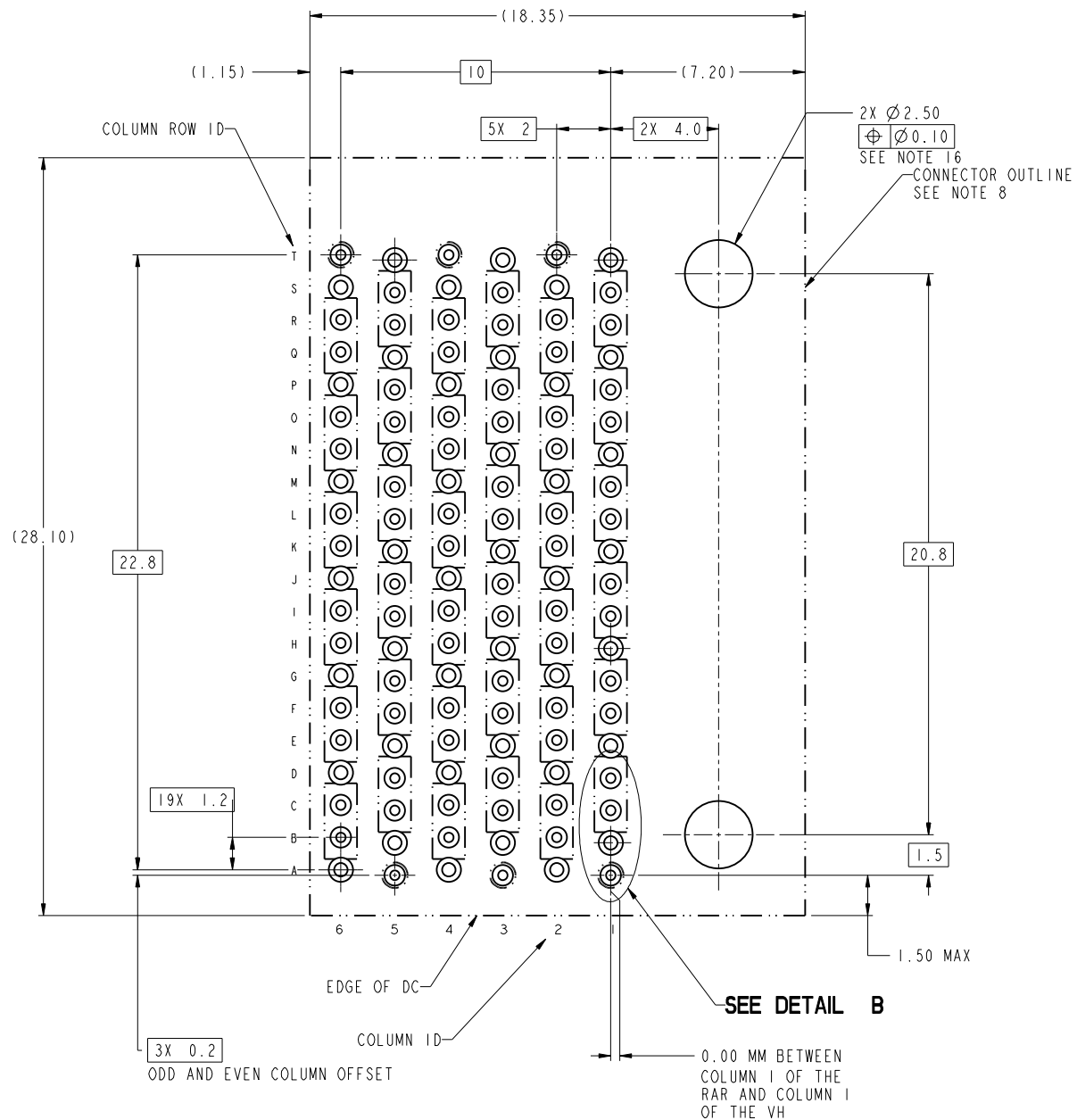
10125352-X1ALF THRU -X1KLF
 RIGHT GUIDANCE (SEE NOTE 17)
 FOR ALL DIMENSIONS SEE 10125352-101LF ON SHEET 1
 SCALE 7:1

TOP SURFACE
 OF DCARD

spec ref	SEE NOTES	dr	SHU CHEN	2013-12-11	projection	MM	size	A2	scale	7:1
tolerance std	ASME Y14.5M	eng	SHU CHEN	2013-12-11			ech no			
	TOLERANCES UNLESS OTHERWISE SPECIFIED	chr					product family	ExaMAX	rel level	In Work
surface	✓	linear	0.X	±.3		ExaMAX R.A. RECEPTACLE ASS'Y, 6 PR, 120 POS, 6 IMLA	ang no	10125352	rev	3
			0.XX	±.10						
			0.XXX	±.050						
		angular	0°	±°	www.fci.com	cat. no.	SEE TABLE	Product - Customer Drw	sheet 6 of 10	



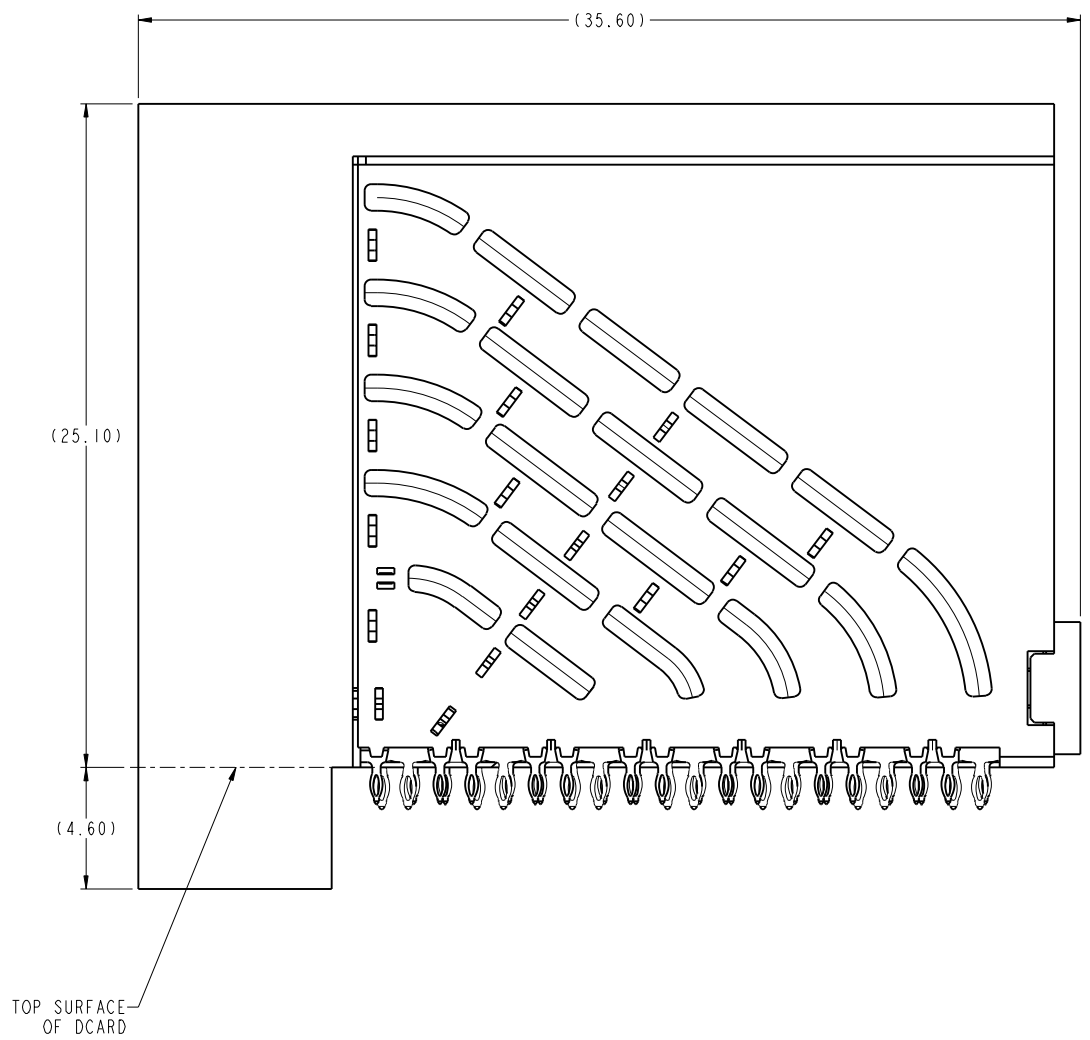
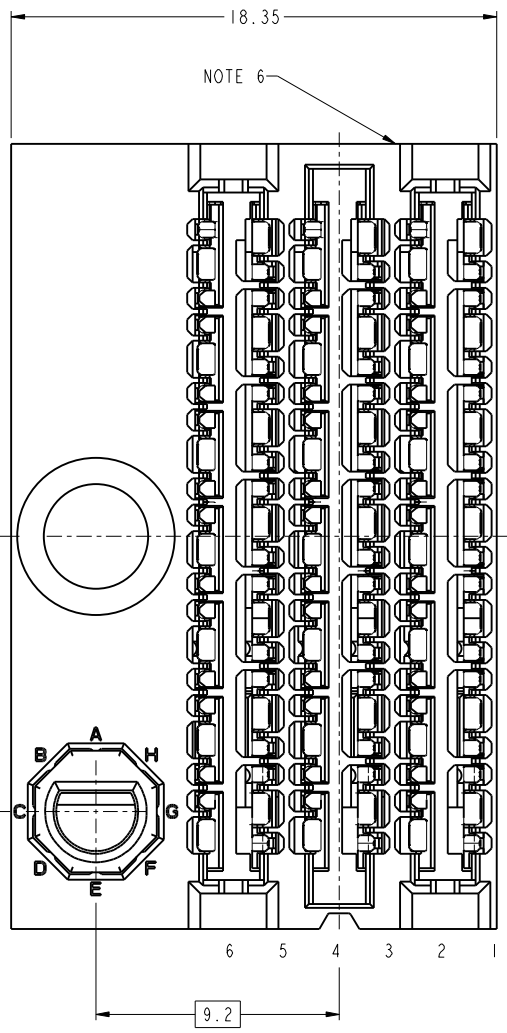
Copyright FCI.



**10125352-X1ALF THRU -X1KLF
RECOMMENDED PCB LAYOUT
COMPONENT SIDE
NOTES 7, 8, 9 & 11
SCALE 8:1**

spec ref	SEE NOTES	dr	SHU CHEN	2013-12-11	projection	MM	size	A2	scale	7:1												
tolerance std	TOLERANCES UNLESS OTHERWISE SPECIFIED	eng	SHU CHEN	2013-12-11			ech no															
ASME Y14.5M		chr					rel level	In Work														
surface	<table border="1"> <tr> <td>linear</td> <td>0.X</td> <td>±.3</td> </tr> <tr> <td></td> <td>0.XX</td> <td>±.10</td> </tr> <tr> <td></td> <td>0.XXX</td> <td>±.050</td> </tr> <tr> <td>angular</td> <td>0°</td> <td>±°</td> </tr> </table>	linear	0.X	±.3		0.XX	±.10		0.XXX	±.050	angular	0°	±°	appr			product family	ExaMAX	rel level	In Work		
linear	0.X	±.3																				
	0.XX	±.10																				
	0.XXX	±.050																				
angular	0°	±°																				
				ExaMAX R.A. RECEPTACLE		ang no	10125352	rev	3													
		www.fci.com	cat. no.	SEE TABLE	Product - Customer Draw	sheet 7 of 10																

Copyright FCI.

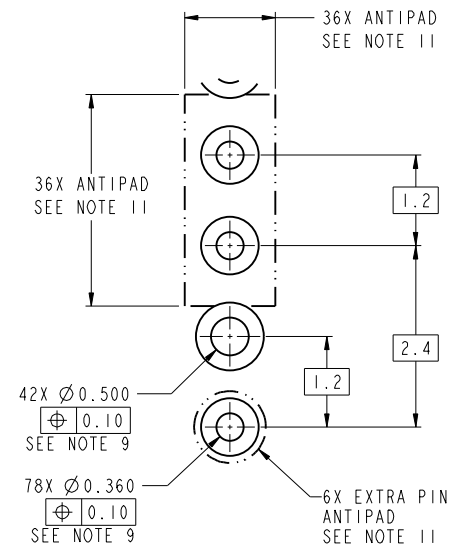
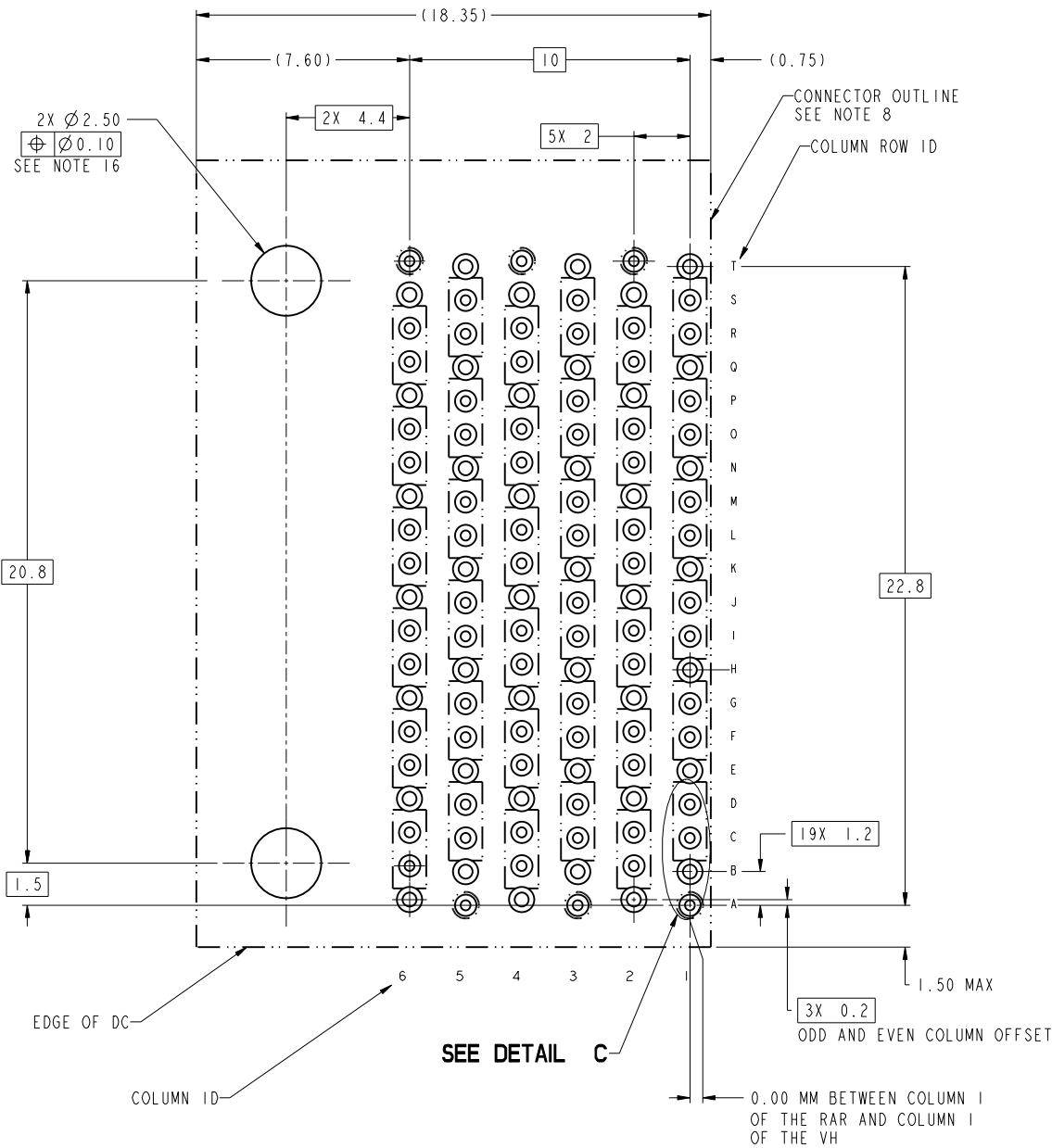


10125352-X2ALF THRU -X2KLF
 LEFT GUIDANCE (SEE NOTE 17)
 FOR ALL DIMENSIONS SEE 10125352-101LF ON SHEET 1
 SCALE 7:1

spec ref	SEE NOTES	dr	SHU CHEN	2013-12-11	projection	MM	size	A2	scale	7:1
tolerance std	TOLERANCES UNLESS OTHERWISE SPECIFIED	eng	SHU CHEN	2013-12-11			ech no			
ASME Y14.5M		chr					product family	ExaMAX	rel level	In Work
surface	<input checked="" type="checkbox"/> linear	0.X	±.3		ExaMAX R.A. RECEPTACLE		ang no 10125352	rev 3	Product - Customer Draw	
		0.XX	±.10							
		0.XXX	±.050							
	<input type="checkbox"/> angular	0°	±°	www.fci.com	cat. no.	SEE TABLE	sheet 8 of 10			



Copyright FCI.



**10125352-X2ALF THRU -X2KLF
RECOMMENDED PCB LAYOUT
COMPONENT SIDE
NOTES 7, 8, 9 & 11
SCALE 8:1**

spec ref	SEE NOTES	dr	SHU CHEN	2013-12-11	projection	MM	size	A2	scale	7:1												
tolerance std	TOLERANCES UNLESS OTHERWISE SPECIFIED	eng	SHU CHEN	2013-12-11			ech no															
ASME Y14.5M		chr					rel level	In Work														
surface	<table border="1"> <tr> <td>linear</td> <td>0.X</td> <td>±.3</td> </tr> <tr> <td></td> <td>0.XX</td> <td>±.10</td> </tr> <tr> <td></td> <td>0.XXX</td> <td>±.050</td> </tr> <tr> <td>angular</td> <td>0°</td> <td>±°</td> </tr> </table>	linear	0.X	±.3		0.XX	±.10		0.XXX	±.050	angular	0°	±°	appr			product family	ExaMAX	ang no	10125352	rev	3
linear	0.X	±.3																				
	0.XX	±.10																				
	0.XXX	±.050																				
angular	0°	±°																				
					www.fci.com	cat. no.	SEE TABLE	Product - Customer Drw	sheet 9 of 10													



Copyright FCI.

10125352 - Y Y Y L F

ASSEMBLY PART NUMBER	DESCRIPTION
10125352-1YYLF	STANDARD MATE
10125352-2YYLF	ADVANCED MATE
10125352-3YYLF	SHORT DETECT
10125352-4YYLF	ADVANCED MATE & SHORT DETECT

MODULE DESCRIPTION	DESIGNATION REPRESENTED IN DASH NUMBER										BASE MODULE
WITHOUT END GUIDES MODULE (SEE SHEET 1)	01										
RIGHT GUIDANCE MODULE (SEE SHEET 6)	1A	1B	1C	1D	1E	1F	1G	1H	1J (NO KEY)		
LEFT GUIDANCE MODULE (SEE SHEET 8)	2A	2B	2C	2D	2E	2F	2G	2H	2J (NO KEY)		

NOTES:

- ① - CONNECTOR MATERIALS:
HOUSING: HIGH TEMP THERMOPLASTIC, BLACK, UL94-V0
IMLA PLASTIC: HIGH TEMP THERMOPLASTIC, BLACK, UL94-V0
CONTACT: COPPER ALLOY
ORGANIZER: HIGH TEMP THERMOPLASTIC, BLACK, UL94-V0
- 2 - CONTACT PLATING:
SEPARABLE INTERFACE:
PERFORMANCE-BASED PLATING, QUALIFIED TO MEET THE REQUIREMENTS OF FCI PRODUCT SPECIFICATION GS-12-1096 INCLUDING TELCORDIA GR-1217-CORE (NOVEMBER 1995) CENTRAL OFFICE TEST SEQUENCE

PRESS-FIT TAILS: TIN OVER NICKEL (LEAD FREE)
- 3 - PRODUCT SPECIFICATION: GS-12-1096
- 4 - APPLICATION SPECIFICATION GS-20-0361.
- 5 - PACKAGING MEETS GS-14-920 LEAD FREE LABELING SPECIFICATION.
- ⑥ - PRODUCT MARKING, (PROTOTYPE, PART NUMBER & LOT CODE), ON THIS SURFACE.
- ⑦ - THE MINIMUM CENTERLINE SPACING BETWEEN ADJACENT MODULES IS 12.0 mm FOR -X01
- ⑧ - CONNECTOR OUTLINE MAY BE SCREEN PRINTED ONTO CUSTOMER PCB TO BE USED AS A GUIDE FOR MANUAL CONNECTOR PLACEMENT.
- ⑨ - REFER TO CUSTOMER DRAWING 10119933 FOR INFORMATION ON PCB HOLE DIAMETERS AND PLATING OPTIONS
- ⑩ - THIS PRODUCT MEETS THE EUROPEAN UNION DIRECTIVES & OTHER COUNTRY REGULATIONS AS DESCRIBED IN GS-47-0004.
- ⑪ - REFER TO APPLICATION SPECIFICATION FOR TRACE ROUTING EXAMPLES THAT INCLUDE DIMENSIONS FOR ANTIPADS, TRACE WIDTH, TRACE SPACING, ETC.
- 12 - THE HOUSING WILL WITHSTAND EXPOSURE TO 260° C FOR 10-30 SECONDS IN A CONVECTION, INFRA-RED OR VAPOR PHASE REFLOW OVEN.
- ⑬ - THE ADVANCED MATE RECEPTACLE, 10125352-2XXLF, WHEN MATED WITH AN ADVANCED MATE VERTICAL HEADER, 10128351-2XXLF, WILL PROVIDE 2 PAIRS OF MATING CONTACTS THAT MATE 0.75MM BEFORE THE REMAINDER OF THE SIGNAL AND GROUND CONTACTS.

NOT TOOLED

- ⑭ - THE SHORT DETECT RECEPTACLE, 10125352-3XXLF, WHEN MATED WITH AN STANDARD MATE VERTICAL HEADER, 10128351-1XXLF, WILL PROVIDE 1 PAIR OF MATING CONTACTS THAT MATE 1.00 MM AFTER THE REMAINDER OF THE SIGNAL AND GROUND CONTACTS.
- ⑮ - THE ADVANCED MATE/SHORT DETECT RECEPTACLE, 10125352-4XXLF, WHEN MATED WITH AN ADVANCED MATE VERTICAL HEADER, 10128351-2XXLF, WILL PROVIDE 2 PAIRS OF MATING CONTACTS THAT MATE 0.75 MM BEFORE THE REMAINDER OF THE SIGNAL AND GROUND CONTACTS AND 1 PAIR OF MATING CONTACTS THAT MATE 1.00 MM AFTER THE REMAINDER OF THE SIGNAL AND GROUND CONTACTS.
- ⑯ - FOR CONNECTORS WITH EITHER A RIGHT OR LEFT GUIDE MODULE, TWO PHILLIPS PAN HEAD M2 HOLD DOWN SCREW MAY BE USED TO SECURE THE CONNECTOR TO THE PCB. THE SCREW LENGTH SHALL BE 2.0-6.0mm PLUS THE THICKNESS OF THE BOARD.
- ⑰ - LEFT / RIGHT INTEGRATED GUIDE ORIENTATION IS DETERMINED BY THE LOCATION OF THE GUIDE FEATURES WHEN LOOKING AT THE MATING FACE OF THE RIGHT ANGLE RECEPTACLE. THE LEFT / RIGHT DESIGNATION OF THE MATING HEADER IS DEFINED BY THE RIGHT ANGLE RECEPTACLE THAT IT MATES WITH (i. e. A RIGHT GUIDE VERTICAL HEADER MATES WITH A RIGHT ANGLE RECEPTACLE.)
- ⑱ - ALL GROUND CONTACTS ARE COMMONED WITHIN A COLUMN.

spec ref	SEE NOTES	dr	SHU CHEN	2013-12-11	projection	MM	size	A2	scale	1:1
tolerance std	TOLERANCES UNLESS OTHERWISE SPECIFIED	eng	SHU CHEN	2013-12-11			ech no			
ASME Y14.5M		appr			product family	ExaMAX	rel level	In Work		
surface	linear	0.x	±.3	0.xx	±.10	0.xxx	±.050	angular	0°	±°
				title		ExaMAX R.A. RECEPTACLE		ang no		10125352
		www.fci.com		cat. no.		SEE TABLE		Product - Customer Drw		rev
										3
										sheet 10 of 10