



PRODUCTS

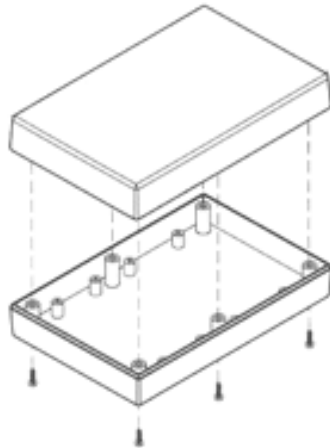
- Products Home
- Size Table
- Accessories
- Customization
- + A-Series
- + C-Series
- + CA-Series
- + CH-Series
- + G-Series
- + H-Series
- + M-Series
- + R-Series
- + RX-Series
- + S-Series
- + SL-Series

## Products: S-Series 191, 191-I



MODEL	LENGTH	WIDTH	HEIGHT	DRAWINGS	
				(.pdf)	(.dwg)
<b>191, 191-I</b>	9.500"	6.340"	1.510"		

### FEATURES



- Two-piece standard design
- -I refers to the "I" version of a model, with a 0.015" smooth depression on top for printing or flush membrane/label surface
- Circuit board mounting bosses
- Assembly with six screws
- Customization available
  - two insert areas/I-Plates (top and bottom)
  - machining
  - pad printing

### COLORS

-  Black
-  Almond
-  Gray
- Custom Colors Also Available

[RETURN TO TOP](#)

**ACCESSORIES** (Click an accessory for compatible models and part numbers)



**Non-Skid Feet (P/N 50)**

[RETURN TO TOP](#)