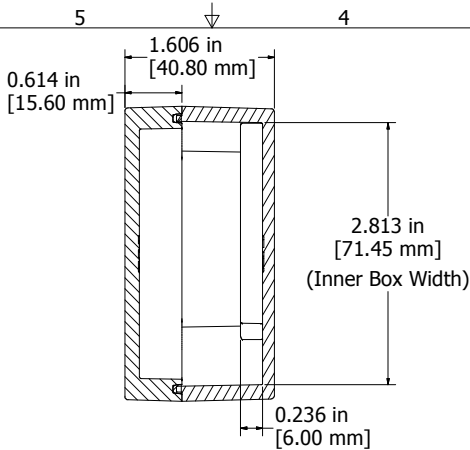
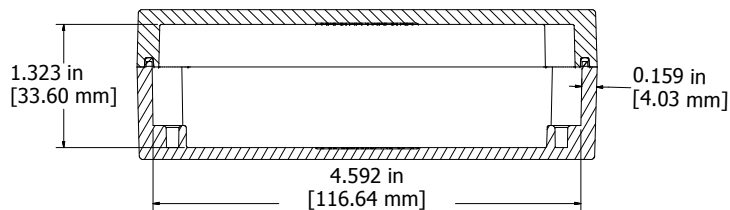


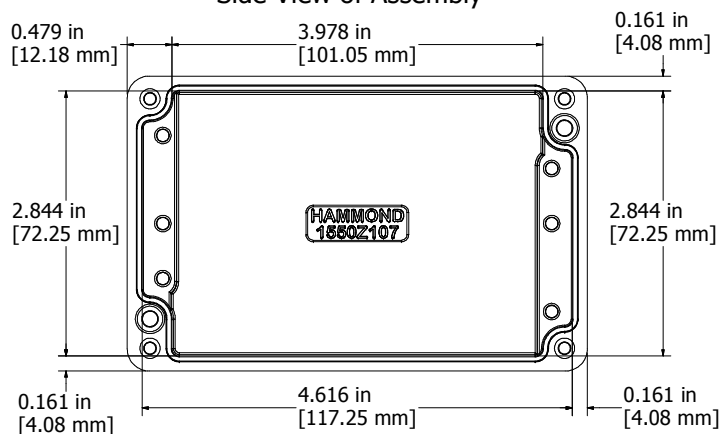
ASSEMBLY



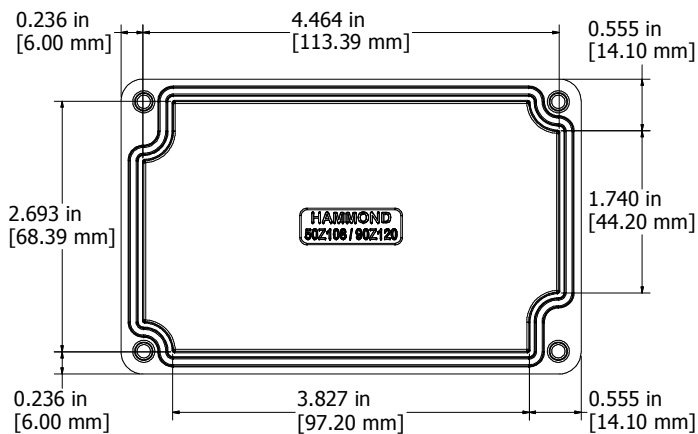
SECTION J-J  
End View of Assembly



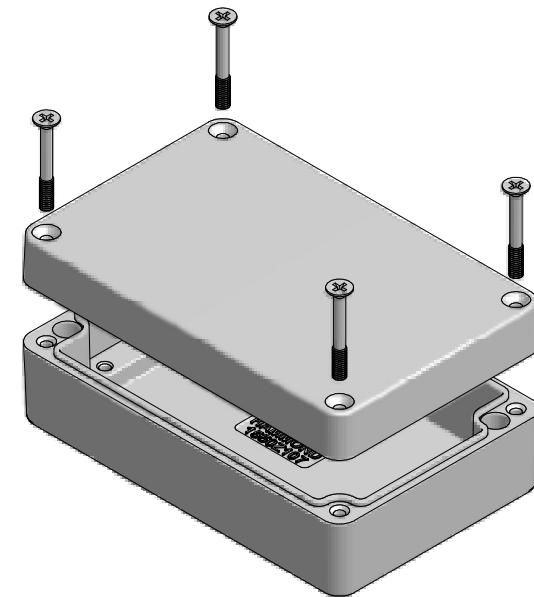
(Inner Box Length)  
SECTION H-H  
Side View of Assembly



Top View Looking Inside Box



View Looking Inside Lid



Enclosures can be Factory Modified ( Milling, Drilling, Printing etc. )  
Contact Factory [mjm@hammondmfg.com](mailto:mjm@hammondmfg.com) for quotes  
Solid models of this enclosure available in STEP or IGES.

**NOTES**

- Purchased assembly includes enclosure, M4x25 lid screws
- Gasket - Pre-formed Silicone Rubber
- Cover screws should be torqued to 5-7.5 lbf.in (50-75 cN.m)

1550Z107	
PART NUMBERS	
Unfinished	1550Z107
Black Textured Powder Paint - RAL 9011	1550Z107BK

**HAMMOND  
MANUFACTURING™**

**1550Z107**

[www.hammondmfg.com](http://www.hammondmfg.com)