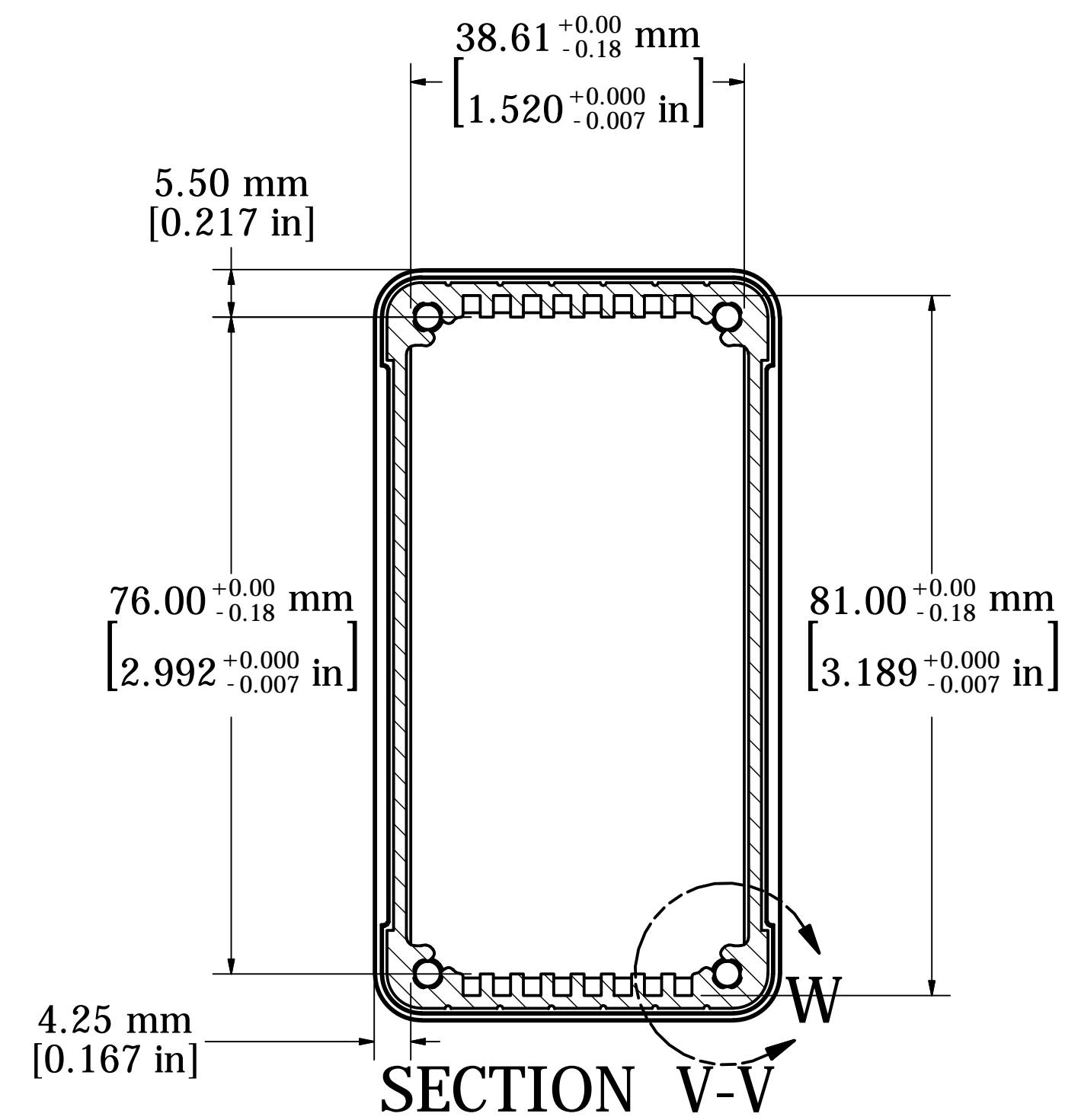
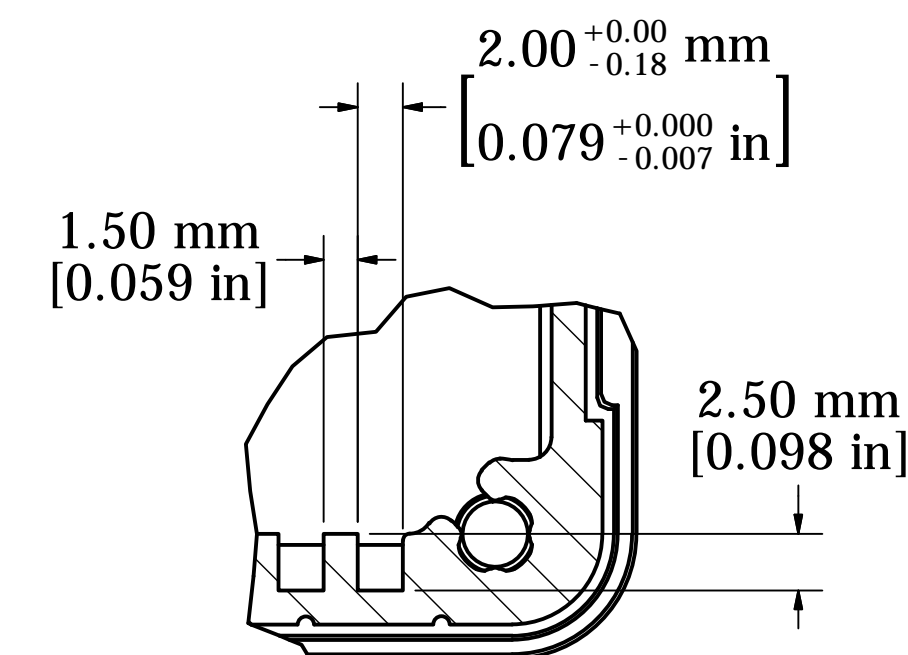
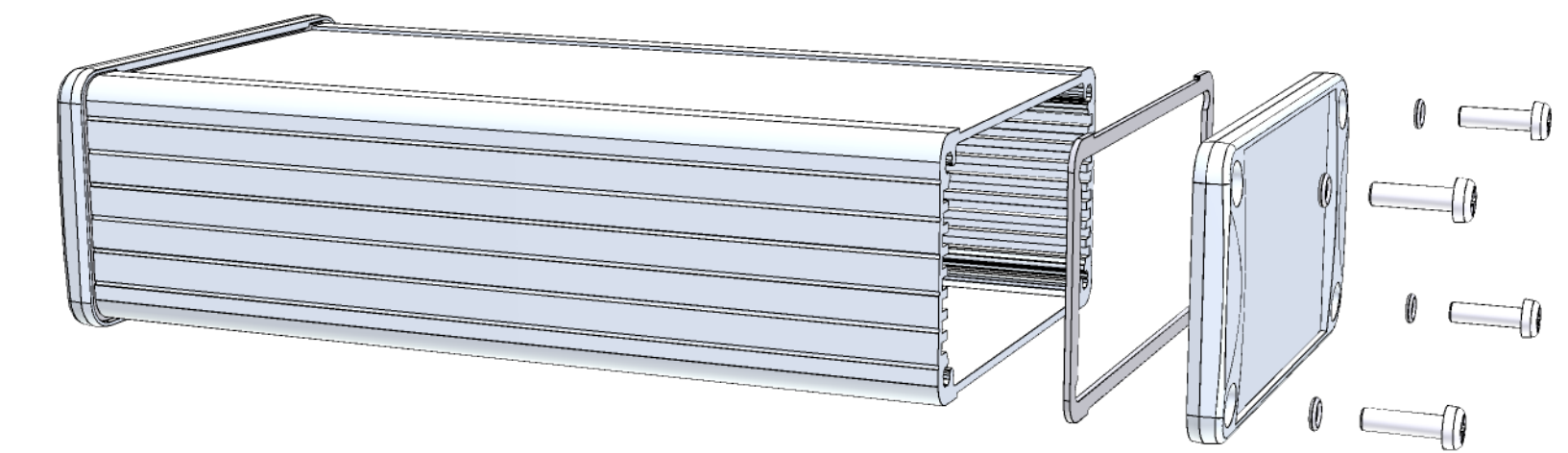


Inside Face to Face Dimension
ASSEMBLY - VIEW FROM TOP

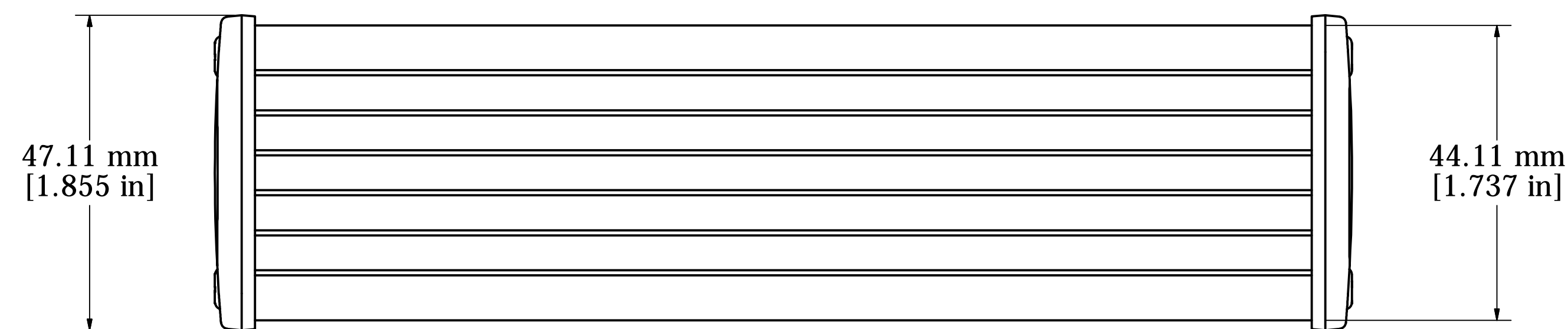
.75mm (.030") Deep Recess For Labels/Keypads etc.



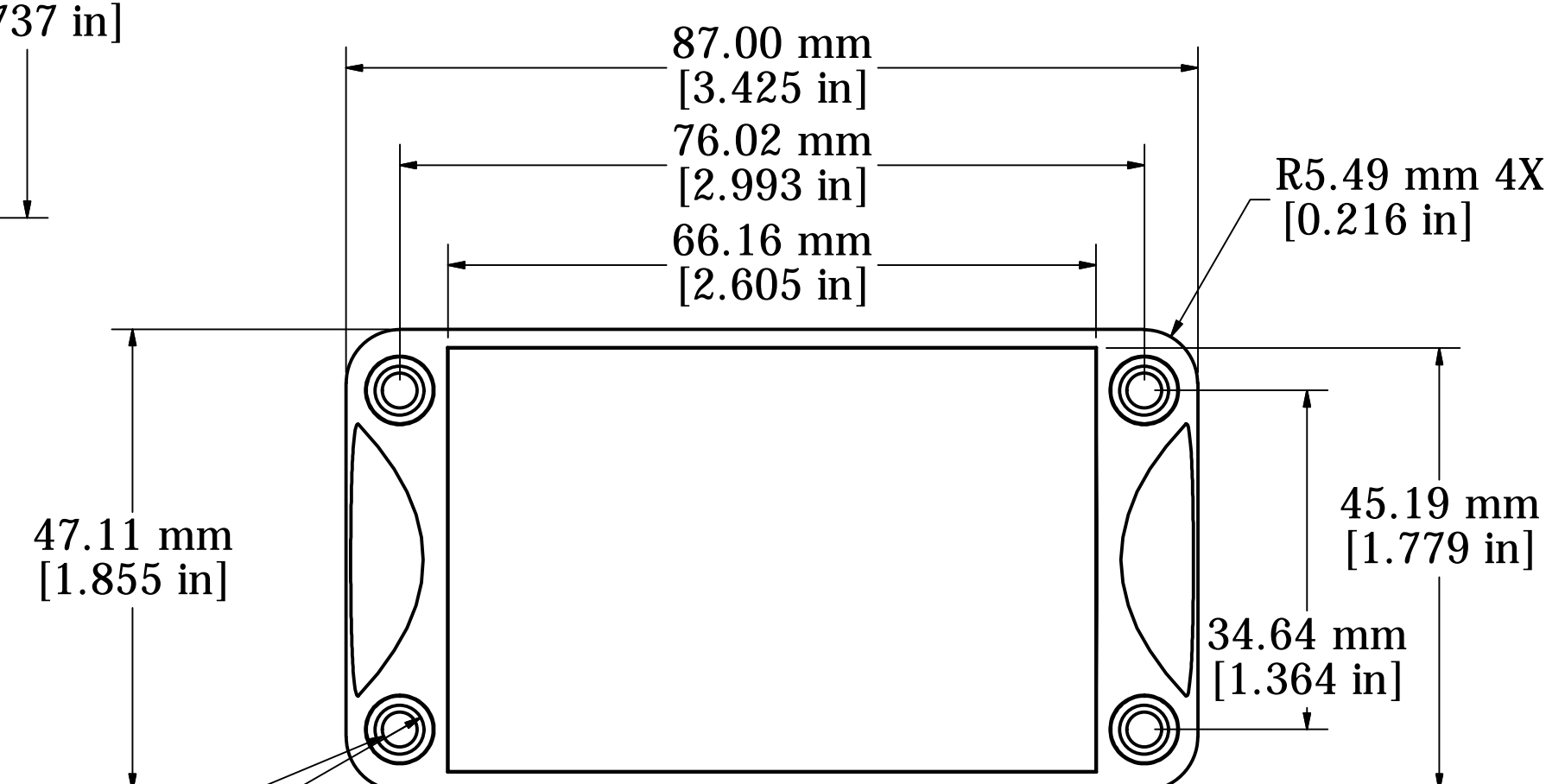
SECTION V-V



DETAIL W



Fits 160mm (6.299") X 80mm (3.149") PCB
Note: Aluminum extrusion has a tolerance of +/- .02"



END PANEL - VIEW FROM OUTSIDE

n3.60 mm x 8.00 mm
v n7.00 mm x 2.50 mm 4X
n5.00 mm x 0.60 mm 4X

PROTECTION TO IP 65

Enclosures can be Factory Modified (Milling, Drilling, Printing etc.)
Contact Factory mjm@hammondmfg.com for quotes
Solid models of this enclosure available in STEP or IGES.

NOTE	
Purchased assembly includes box, end panels, stainless steel #6 Taptight screws, self adhesive rubber feet, gaskets and O-Rings.	
Box made from Extruded Aluminum 6063.	
End panels made from Type 380 Diecast Aluminum with a black powder paint finish.	
WATERPROOF 1457K1601	
PART NUMBERS	
Clear anodized box with black powder painted end panels	1457K1601
Black powder painted box and end panels	1457K1601BK
EMI/RFI SHIELDED (IP 54)	
Clear anodized box with black powder painted end panels	1457K1601E
Black powder painted box and end panels	1457K1601EBK
ACCESSORIES	
See website for accessories.	



1457K1601

www.hammondmfg.com

Mouser Electronics

Authorized Distributor

Click to View Pricing, Inventory, Delivery & Lifecycle Information:

[Hammond:](#)

[1457K1601BK](#) [1457K1601](#) [1457K1601E](#) [1457K1601EBK](#)