

1414 SC Series JIC Enclosures - NEMA 12, 13

Lift Off, Screw Cover

Industrial Enclosures
Junction Boxes/JIC Enclosures



Application

- Designed for use as instrument enclosures, electric, hydraulic or pneumatic control housings, electrical junction boxes or terminal wiring enclosures.
- Provides a degree of protection from falling dirt, dust, oil and water.

Standards

- UL 508 Type 12 and 13
- CSA Type 12 and 13
- **Complies with**
 - NEMA Type 12 and 13
 - JIC EGP-1-1967 unless marked¹
 - IEC 529, IP65

Construction

- Body formed from 16 gauge or 14 gauge steel. Covers are formed from 14 gauge steel.
- Smooth, continuously welded seams without knockouts, cutouts or holes.
- Welded brackets provide for enclosure mounting.
- Cover is secured with captive, plated steel screws, threaded into sealed wells.
- Oil resistant gaskets are permanently secured.
- Models larger than 4" x 4" include a removable 14 gauge inner panel.
- Weldnuts are provided for mounting inner panels.
- A grounding stud is provided in the enclosure.

Finish

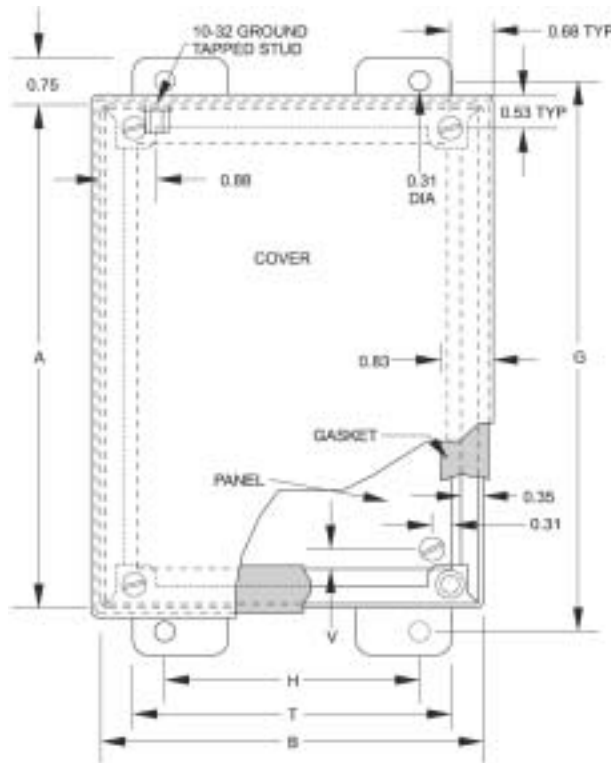
- Cover and enclosure are phosphatized and finished in ANSI/ASA 61 gray recoatable powder coating.
- Removable inner panel is finished in white powder coating.

Accessories

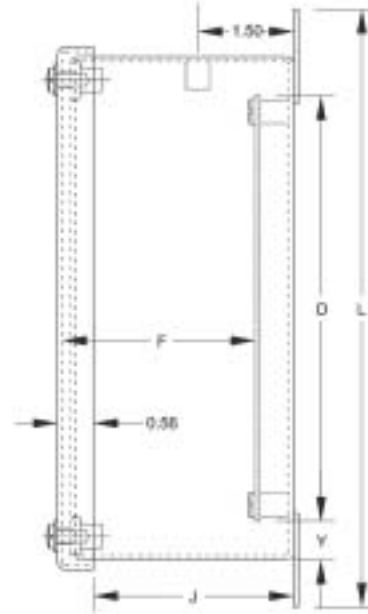
- Additional inner panels...see page **384**
- Breather kits...see page **374**
- Filter fans...see page **360-367**
- Heaters...see page **369-371**
- Louvered ventilating plates...see page **396**
- Terminal kit assemblies...see page **386**
- Thermostats...see page **374**
- Window kits...see page **391**

1414 SC Series JIC Enclosures - NEMA 12, 13

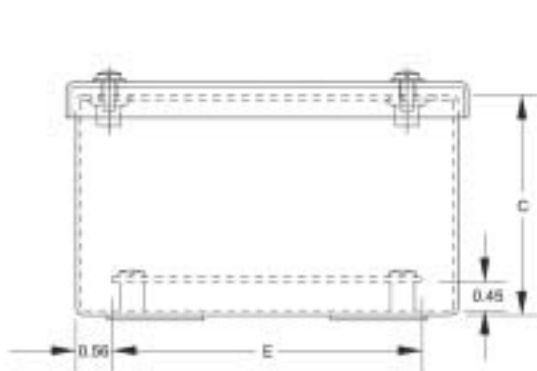
Lift Off, Screw Cover



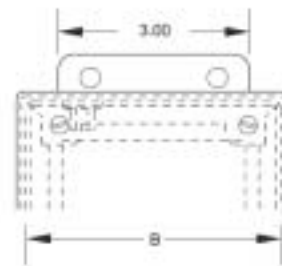
Front View



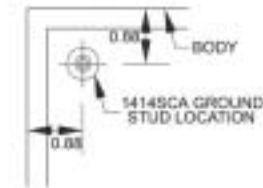
Side View



Top View



**Mounting Detail
When B=4**



Part No.	Panel Size			Centers				Cover Dimensions				V	Y	Ship Wt.lbs.		
	A	B	C	D	E	F	G	H	J	L	T					
1414SCA ¹	4	4	3.0	—	—	—	4.75	2	2.64	5.5	3	4.31	4.31	—	—	2
1414SCC ¹	6	4	3.0	4.87	2.87	2.51	6.75	2	2.64	7.5	3	6.31	4.31	0.31	0.56	3
1414SCG	8	6	3.5	6.75	4.87	3.01	8.75	4	3.14	9.5	5	8.31	6.31	0.25	0.63	6
1414SCE	6	6	4.0	4.87	4.87	3.51	6.75	4	3.64	7.5	5	6.31	6.31	0.31	0.56	5
1414SCI	10	8	4.0	8.75	6.87	3.51	10.75	6	3.64	11.5	7	10.31	8.31	0.25	0.63	10
1414SCK	12	10	5.0	10.75	8.87	4.51	12.75	8	4.64	13.5	9	12.31	10.31	0.25	0.63	14
1414SCM6	14	12	6.0	12.75	10.87	5.51	14.75	10	5.64	15.5	11	14.31	12.31	0.25	0.63	19
1414SCO6	16	14	6.0	14.75	12.87	5.51	16.75	12	5.64	17.5	13	16.31	14.31	0.25	0.63	24
1414SCM8	14	12	8.0	12.75	10.87	7.51	14.75	10	7.64	15.5	11	14.31	12.31	0.25	0.63	22
1414SCO10	16	14	10.0	14.75	12.87	9.51	16.75	12	9.64	17.5	13	16.31	14.31	0.25	0.63	29

¹ Does not meet JIC requirements

Technical references and DXF downloads available at www.hammfg.com

All dimensions in inches unless specified otherwise

Quality Enclosures. Service Excellence.