

Natural & Painted (1590 Series)

Diecast

Countersunk lid with machine screws into drilled and tapped holes...

Vibra finished for a smooth surface with no sharp edges...



Nickel plated machine screws for superior corrosion protection...

Lap joint construction...

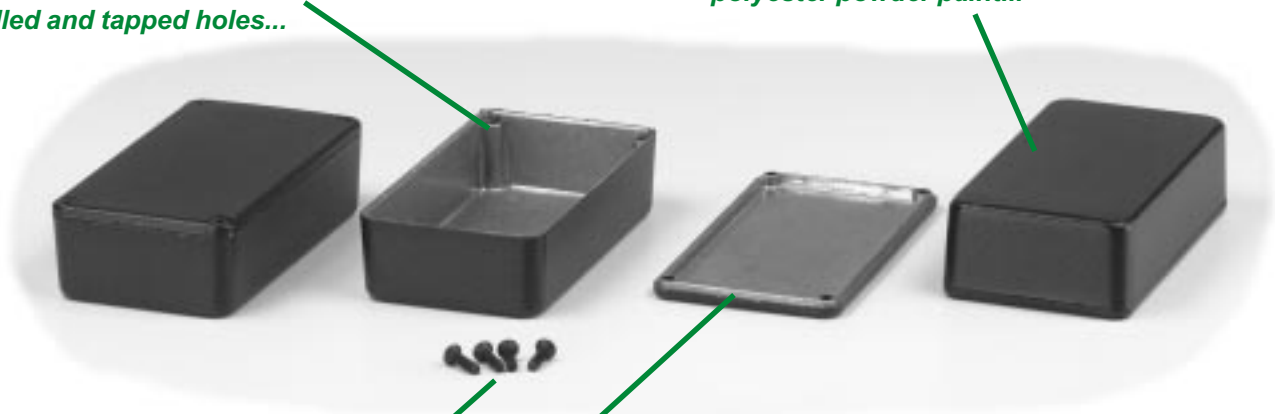
Low draft angle for easy P.C. board mounting...

OTHER KEY FEATURES

- Rugged, diecast aluminum alloy (tough yet easy to machine), electronic instrument enclosure.
- Lap joint construction provides protection against access of dust and splashing water. Also provides for improved EMI/RFI shielding.
- Painted version (shown below) is painted with tough polyester powder paint for a lasting finish, even after machining.
- Four (or 6 in 1590D, 1590DD & 1590E, 8 in 1590F) 6-32 x 1/2" machine screws secure lid - into tapped holes.
- Designed to meet IP54.
- Replacement screws for natural finish series, machine screw, nickel plated, 6-32 x 1/2" - **1590MS100** - Package of 100
- Replacement screws for black painted series, 6-32 x 1/2" - **1590MS50BK** - Package of 50
- Replacement screws for grey painted series, 6-32 x 1/2" - **1590MS50GY** - Package of 50

Countersunk lid with machine screws into drilled and tapped holes...

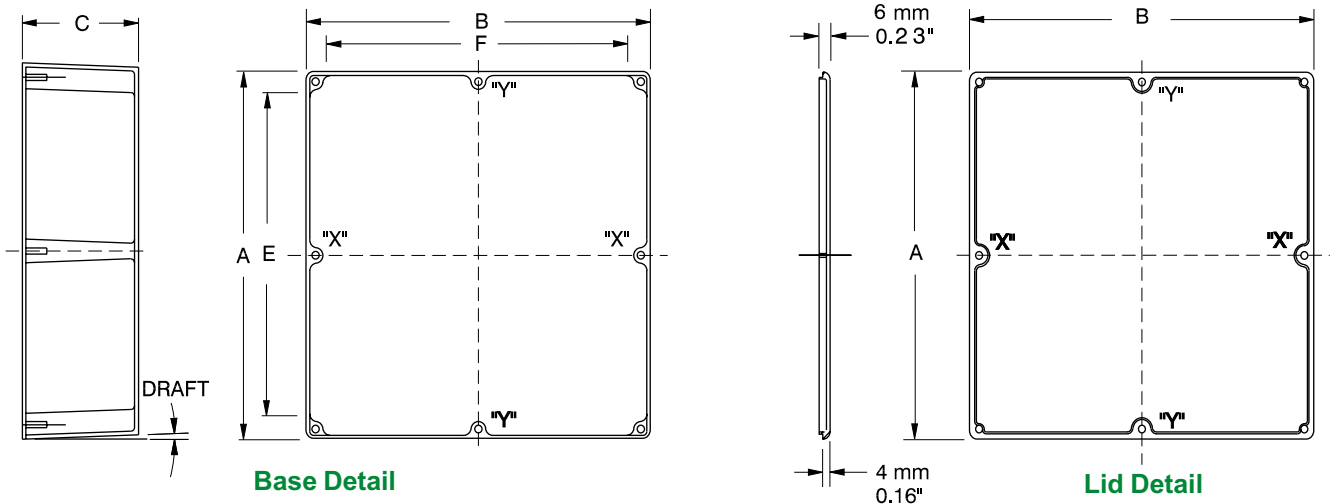
Vibra finished for a smooth surface with no sharp edges, then painted with tough polyester powder paint...



Enclosure uses machine screws into drilled & tapped holes matched to enclosure color...

Lap joint construction - lip masked to ensure good EMI/RFI connection to base...

Natural & Painted (1590 Series)



Base Detail

Lid Detail

Part Number			Units	Dimensions					Apx. Draft
Unpainted	Black	Grey		A	B	C (No Lid)	E	F	
1590LB	1590LBBK	1590LBGY	inch mm	1.99 50.5	1.99 50.5	1.06 27	1.36 34.5	1.36 34.5	1°15'
1590H	1590HBK	1590HGY	inch mm	2.07 52.5	1.50 38	1.06 27	1.41 35.9	.86 21.8	1°15'
1590A	1590ABK	1590AGY	inch mm	3.64 92.5	1.52 38.5	1.06 27	3.01 76.5	.89 22.5	1°15'
1590G	1590GBK	1590GGY	inch mm	3.94 100	1.97 50	0.83 21	3.31 84	1.34 34	1°15'
1590S	1590SBK	1590SGY	inch mm	4.35 110.5	3.21 81.5	1.57 40	3.72 94.5	2.58 65.5	1°15'
1590B	1590BBK	1590BGY	inch mm	4.39 111.5	2.34 59.5	1.06 27	3.76 95.5	1.71 43.5	1°15'
1590BB	1590BBBK	1590BBGY	inch mm	4.67 118.5	3.68 93.5	1.18 30	4.04 102.5	3.05 77.5	1°15'
1590U	1590UBK	1590UGY	inch mm	4.70 119.5	4.70 119.5	2.17 55	4.07 103.5	4.07 103.5	1°15'
1590V	1590VBK	1590VGY	inch mm	4.70 119.5	4.70 119.5	3.54 90	4.07 103.5	4.07 103.5	1°15'
1590C	1590CBK	1590CGY	inch mm	4.72 120	3.70 94	2.07 52.5	4.09 104	3.07 78	2°
1590T	1590TBK	1590TGY	inch mm	4.74 120.5	3.13 79.5	2.17 55	4.11 104.5	2.50 63.5	1°15'
1590N1	1590N1BK	1590N1GY	inch mm	4.77 121.1	2.60 66	1.39 35.3	4.09 103.8	1.92 48.7	1°15'
1590K	1590KBK	1590KGY	inch mm	4.92 125	4.92 125	2.95 75	4.27 108.5	4.27 108.5	1°15'
1590J	1590JBK	1590JGY	inch mm	5.71 145	3.74 95	1.77 45	5.06 128.5	3.09 78.5	2°
1590P1	1590P1BK	1590P1GY	inch mm	6.01 153	3.24 82	1.81 46	5.38 137	2.48 63	2°
1590D	1590DBK	1590DGY	inch mm	7.38 187.5	4.70 119.5	2.05 52	6.75 171.5	4.07 103.5	2°
1590E	1590EBK	1590EGY	inch mm	7.38 187.5	4.70 119.5	3.07 78	6.75 171.5	4.07 103.5	2°
1590F	1590FBK	1590FGY	inch mm	7.38 187.5	7.38 187.5	2.48 63	6.75 171.5	6.75 171.5	2°
1590DD	1590DDBK	1590DDGY	inch mm	7.40 188	4.70 119.5	1.30 33	6.77 172	4.07 103.5	1°15'
1590R1	1590R1BK	1590R1GY	inch mm	7.55 192	4.38 111	2.24 57	6.92 176	3.76 95.4	2°

Notes: Assembled height = dimension "C" + .16" (4.0 mm). Wall & lid thickness is roughly .08" (2 mm) and varies with draft due to part being cast. Posts "X" exist on parts 1590D, 1590DD & 1590E. Posts "X" & "Y" exist on part 1590F. For detailed drawings, CAD files or color photos visit our website at: www.hammondmg.com

Diecast