


SAC-4P-10,0-PUR/M 8FR VA

Order No.: 1572605

<http://eshop.phoenixcontact.de/phoenix/treeViewClick.do?UID=1572605>

Sensor/Actuator cable, 3-position, PUR halogen-free, Black-gray RAL 7021, Free conductor end, on Socket, angled M8, Cable length: 10 m

Commercial data

GTIN (EAN)	 4 046356 412339
Note	Made-to-order
sales group	D131
Pack	1 pcs.
Customs tariff	85444290

Product notes

WEEE/RoHS-compliant since:
05/16/2008



<http://www.download.phoenixcontact.com>
Please note that the data given here has been taken from the online catalog. For comprehensive information and data, please refer to the user documentation. The General Terms and Conditions of Use apply to Internet downloads.

Certificates / Approvals

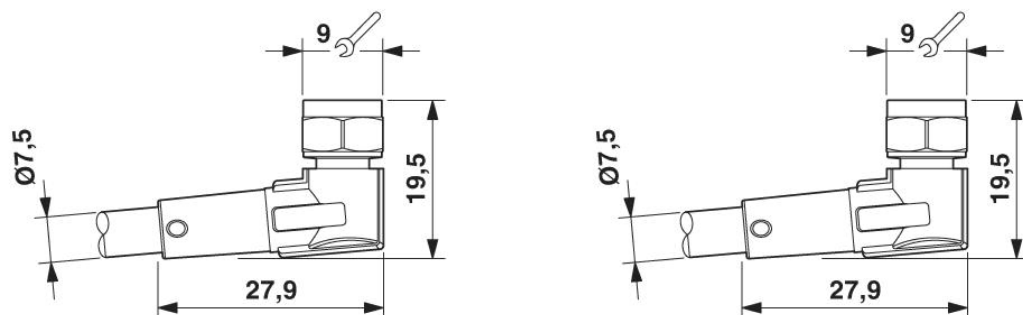


Certification

CUL Listed, UL Listed

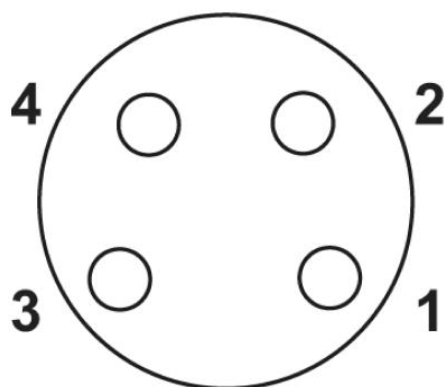
Diagrams/Drawings

Dimensioned drawing



Socket M8 x 1, angled

Schematic diagram



Pin assignment M8 socket, 4-pos., view female side

Address

PHOENIX CONTACT Inc., USA
586 Fulling Mill Road
Middletown, PA 17057, USA
Phone (800) 888-7388
Fax (717) 944-1625
<http://www.phoenixcon.com>



© 2011 Phoenix Contact
Technical modifications reserved;