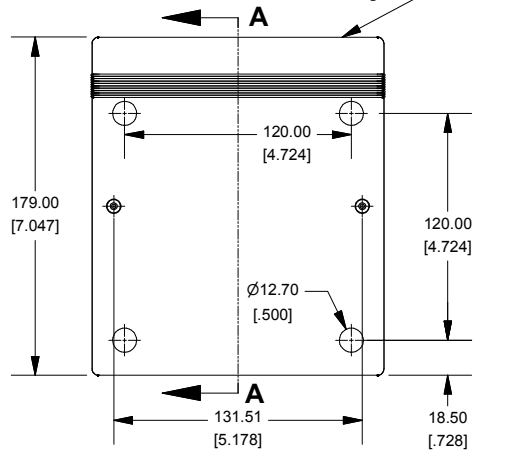
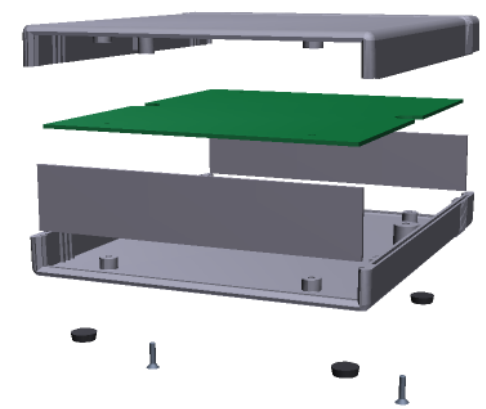
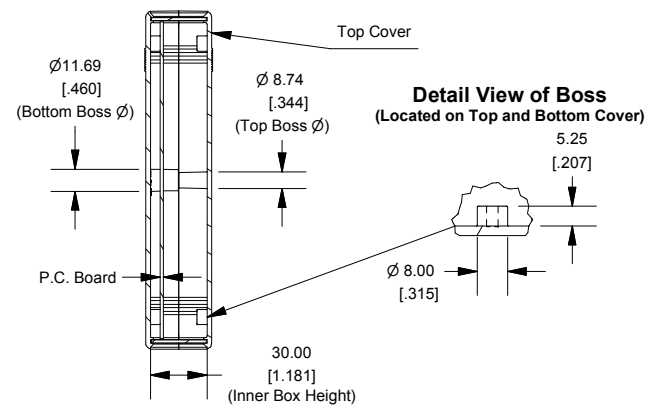


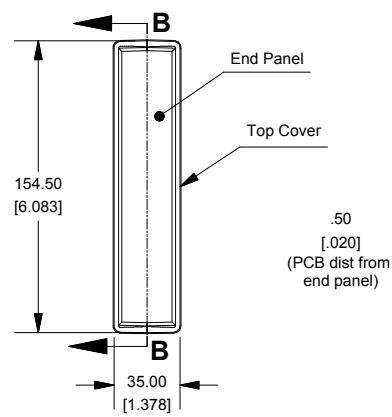
**Bottom View of Assembly**



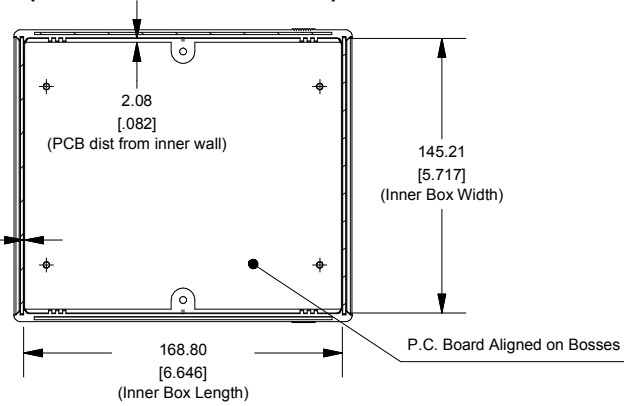
**SECTION A-A  
(Side View Inside Assembly)**



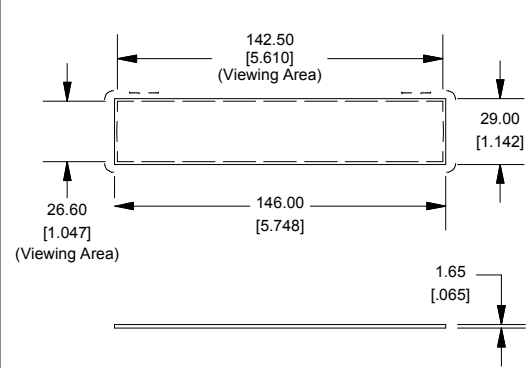
**End View of Assembly**



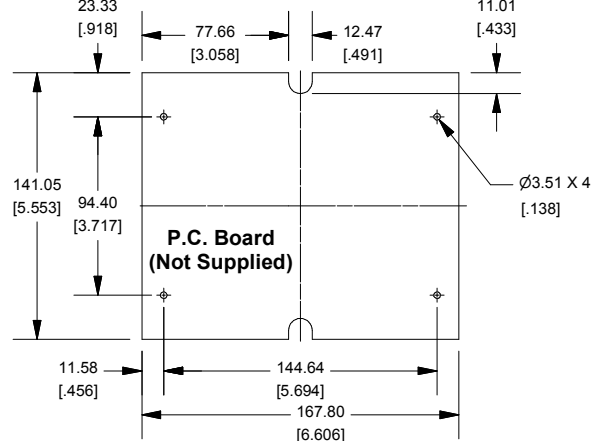
**SECTION B-B  
(Inside of Bottom Cover)**



**Front/Rear Panel  
(Dashed Line Indicates Viewing Area)**



**Maximum P.C. Board Size**



Enclosures can be Factory Modified ( Milling, Drilling, Printing etc. )  
Solid models of this enclosure available in STEP or IGES.  
Contact Factory [mjm@hammondmfg.com](mailto:mjm@hammondmfg.com)

**NOTE**  
Purchased Assembly includes top and bottom cover, front and end aluminum panels (alloy 5052-H32, SPV coating on one side), 2 cover screws, and 4 rubber feet.

<b>1598BB Instrument Case</b>	
<b>FLAME RETARDANT ABS (UL94-VO)</b>	
<b>Black Enclosure with Aluminum Panels</b>	1598BBBK
<b>Grey Enclosure with Aluminum Panels</b>	1598BBGY
<b>Black EMI/RFI Shielded</b>	1598RBBBK
<b>NON-FLAME RETARDANT GPABS (UL94-HB)</b>	
<b>Grey Enclosure with Aluminum Panels</b>	1598BBSGY
<b>Grey Enclosure with Black Plastic Panels</b>	1598BBSGYPBK
<b>ACCESSORIES</b>	
<b>Black Plastic Panels</b>	1598PLBBBK
<b>Rubber Feet (Pkg 24)</b>	1421T2
<b>For 1598 FR-ABS</b>	
<i>Cover Screws (Pkg 100) [M3 - 0.5 x 10mm]</i>	1591MS100
<b>For 1598 GPABS</b>	
<i>Cover Screws (Pkg 100) [#4 x 5/8" (15.9mm)]</i>	1591TS100
<b>For Both Models</b>	
<i>PCB Screws (Pkg 100) [#6 x 1/4" (6.4mm)]</i>	1598ATS100

