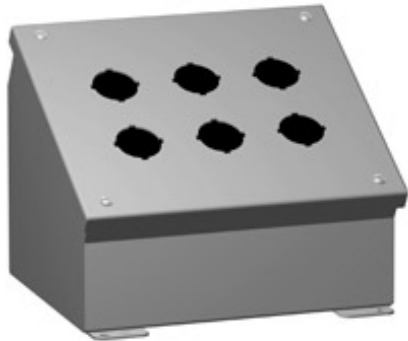


Type 12 Mild Steel Pushbutton Enclosures *1490 Series*

Sloped Console



Application

- Designed to accept standard heavy duty oil tight pushbuttons, switches and pilot lights.
- Ideal for wall or surface mounting to provide the necessary control slope.
- Provides protection from dirt, dust, oil and water.

Standards

- UL 508 Type 12 and 13
- CSA Type 12 and 13
- JIC standard EGP-1-1967
- **Complies with**
 - NEMA Type 12 and 13
 - IEC 60529, IP54
- Appropriate components are required to maintain these standards.

Construction

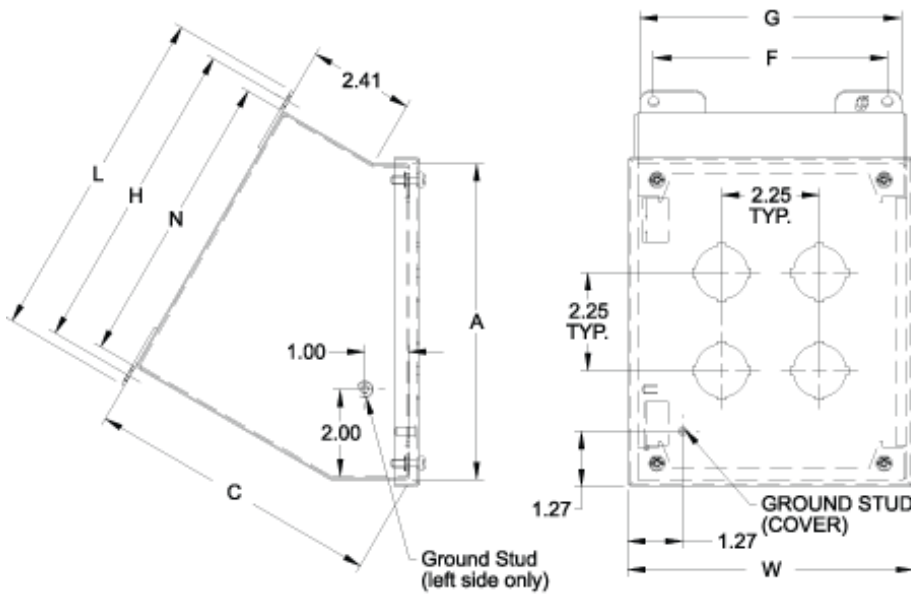
- Formed 14 gauge steel.
- Smooth continuously welded seams.
- Construction provides either a 30° or 60° slope on front cover depending on mounting position.
- Welded brackets provide for enclosure mounting.
- Captive cover screws thread into sealed wells.
- Larger enclosures provide internally hinged removable covers designed to hold the cover open during wiring (as noted in table).
- Oil resistant gasket and adhesive.
- A bonding stud is provided on the door and a grounding stud is provided on the enclosure.

Finish

- Cover and enclosure are phosphatized and finished in ANSI 61 gray powder coating.

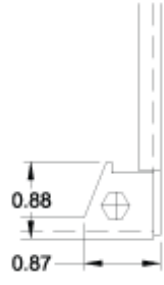
Accessories

- Hole Plugs
- Pedestal and Base
- Ground Wire Kits

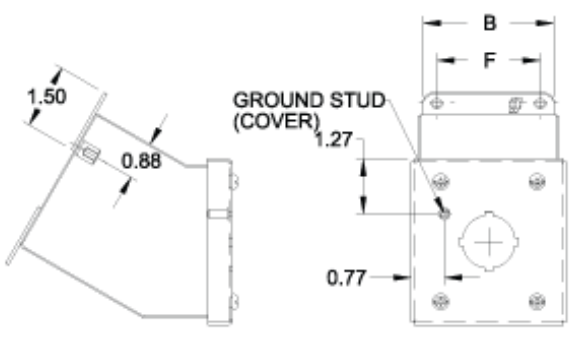


Side View
1490G4 -K30
1490MG4 -MK30

Front View

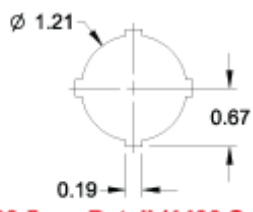


Hinge Detail
Retractable pin allows door to be mount on left side or right side.

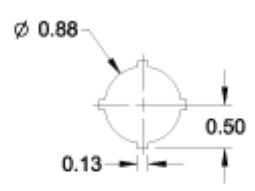


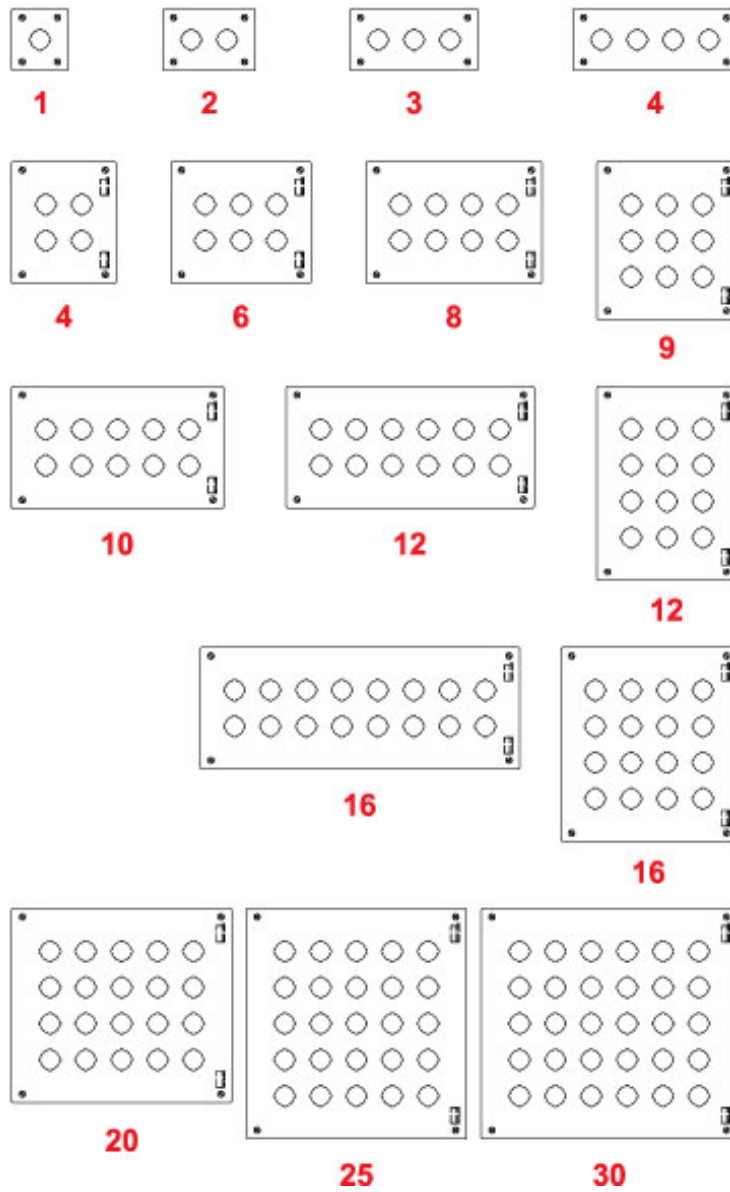
Side View
1490D1 -D4
1490MD1 -MD4

FRONT VIEW



30.5mm Detail (1490 Series) 22.5mm Detail (1490M Series)





| Part No. | | No. Of Holes | Dimensions (mm) | | | | | | | | | | | Ship Wt. lbs. |
|---------------------|----------------------|--------------|-----------------|-------|-------|-------|-------|-------|-------|-------|-------|-------|----|---------------|
| 30.5mm Holes | 22.5mm Holes | | A | B | C | F | G | H | L | N | W | Z | | |
| 1490D1 ¹ | 1490MD1 ¹ | 1 | 3.50 | 3.25 | 4.88 | 2.38 | 3.00 | 4.03 | 4.53 | 3.53 | 3.56 | 3.81 | 2 | |
| 1490D2 ¹ | 1490MD2 ¹ | 2 | 3.50 | 5.50 | 4.88 | 4.63 | 5.25 | 1.03 | 4.53 | 3.53 | 5.81 | 3.81 | 3 | |
| 1490D3 ¹ | 1490MD3 ¹ | 3 | 3.50 | 7.75 | 4.88 | 6.88 | 7.50 | 4.03 | 4.53 | 3.53 | 8.06 | 3.81 | 5 | |
| 1490D4 ¹ | 1490MD4 ¹ | 4 | 3.50 | 10.00 | 4.88 | 9.13 | 8.75 | 4.03 | 4.53 | 3.53 | 10.31 | 3.81 | 6 | |
| 1490G4 | 1490MG4 | 4 | 7.25 | 6.25 | 6.75 | 5.38 | 6.00 | 7.28 | 7.78 | 6.78 | 6.56 | 7.56 | 6 | |
| 1490G6 | 1490MG6 | 6 | 7.25 | 8.50 | 6.75 | 7.63 | 8.25 | 7.28 | 7.78 | 6.78 | 8.81 | 7.56 | 7 | |
| 1490G8 | 1490MG8 | 8 | 7.25 | 10.75 | 6.75 | 9.88 | 10.50 | 7.28 | 7.78 | 6.78 | 11.06 | 7.56 | 9 | |
| 1490H9 | 1490MH9 | 9 | 9.50 | 8.50 | 7.88 | 7.63 | 8.25 | 9.25 | 9.75 | 8.75 | 8.81 | 9.81 | 9 | |
| 1490G10 | 1490MG10 | 10 | 7.25 | 13.00 | 6.75 | 12.13 | 12.75 | 7.28 | 7.78 | 6.78 | 13.31 | 7.56 | 10 | |
| 1490G12 | 1490MG12 | 12 | 7.25 | 15.25 | 6.75 | 14.38 | 15.00 | 7.28 | 7.78 | 6.78 | 15.56 | 7.56 | 11 | |
| 1490J12 | 1490MJ12 | 12 | 11.75 | 8.50 | 9.00 | 7.63 | 8.25 | 11.19 | 11.69 | 10.69 | 8.81 | 12.06 | 13 | |
| 1490G16 | 1490MG16 | 16 | 7.25 | 19.75 | 6.75 | 18.88 | 19.50 | 7.28 | 7.78 | 6.78 | 20.06 | 7.56 | 14 | |
| 1490J16 | 1490MJ16 | 16 | 11.75 | 10.75 | 9.00 | 9.88 | 10.50 | 11.19 | 11.69 | 10.69 | 11.06 | 12.06 | 14 | |
| 1490J20 | 1490MJ20 | 20 | 11.75 | 13.00 | 9.00 | 12.13 | 12.75 | 11.19 | 11.69 | 10.69 | 13.31 | 12.06 | 16 | |
| 1490K25 | 1490MK25 | 25 | 14.00 | 13.00 | 10.13 | 12.13 | 12.75 | 13.13 | 13.63 | 12.63 | 13.31 | 14.31 | 17 | |
| 1490K30 | 1490MK30 | 30 | 14.00 | 15.25 | 10.13 | 14.38 | 15.00 | 13.13 | 13.63 | 12.63 | 15.56 | 14.31 | 19 | |

¹ Not hinged

Mouser Electronics

Authorized Distributor

Click to View Pricing, Inventory, Delivery & Lifecycle Information:

Hammond:

[1490H9](#) [1490K25](#) [1490K30](#) [1490G10](#) [1490G12](#) [1490G16](#) [1490J12](#) [1490J16](#) [1490J20](#) [1490G4](#) [1490G8](#)
[1490G6](#) [1490D3](#) [1490D1](#) [1490D2](#) [1490D4](#) [1490MD1](#) [1490MD2](#) [1490MD3](#) [1490MD4](#) [1490MG10](#) [1490MG12](#)
[1490MG16](#) [1490MG4](#) [1490MG6](#) [1490MG8](#) [1490MH9](#) [1490MJ12](#) [1490MJ16](#) [1490MJ20](#) [1490MK25](#) [1490MK30](#)