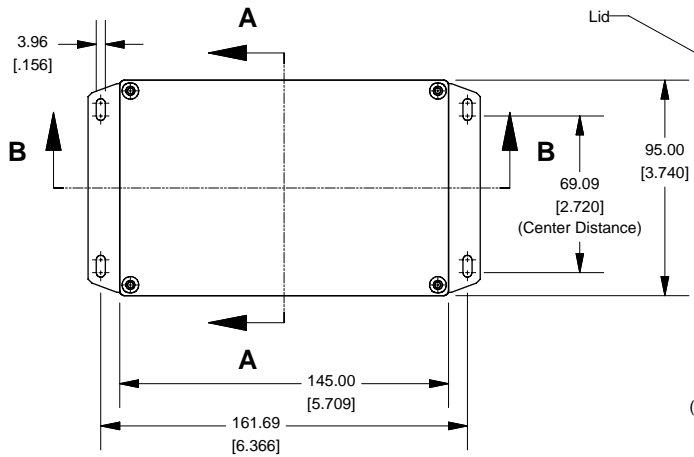
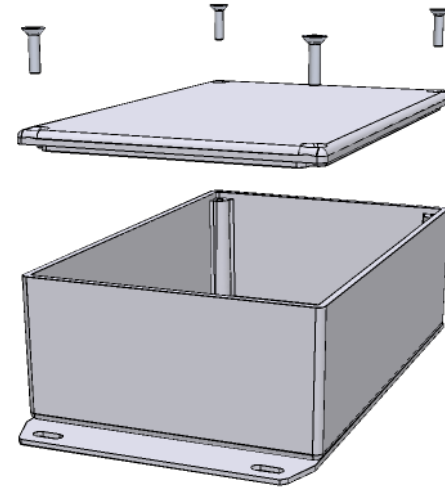
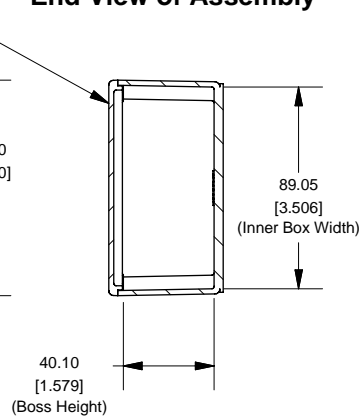


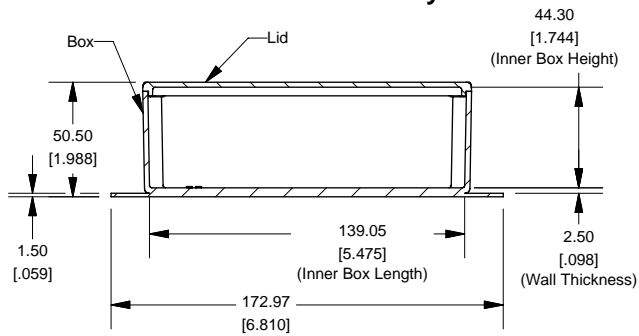
### Top View of Assembly



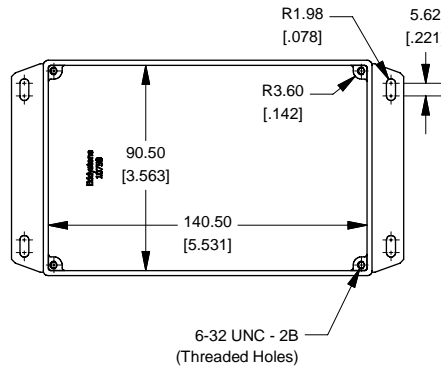
### SECTION A-A End View of Assembly



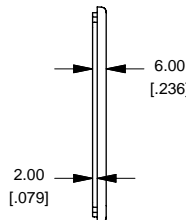
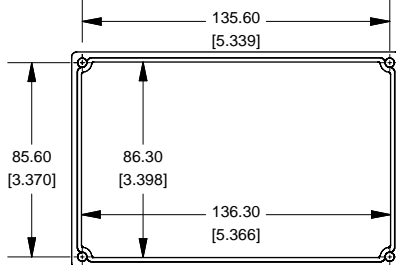
### SECTION B-B Side View of Assembly



### Top View Looking Inside Box



### Lid



Enclosures can be Factory Modified ( Milling, Drilling, Printing etc.)  
 Contact Factory [mjm@hammondmfg.com](mailto:mjm@hammondmfg.com) for quotes  
 Solid models of this enclosure available in STEP or IGES.

#### NOTE

Purchased assembly includes box, lid and 4 cover screws.  
 Box and lid are made from Diecast Aluminum Alloy (alloy type 380).  
 Silicone Gasket Loctite #5950

#### PART NUMBERS

1590JF Enclosure	
Unfinished	1590JF
Black Textured Polyester Powder Paint - RAL 7038	1590JFGY
Black Textured Polyester Powder Paint - RAL 9011	1590JFBK
1590JF Liquid Resistant Enclosure (Silicon Factory Installed Gasket)	
Unfinished	1590WJF
Black Textured Powder Paint	1590WJFBK
ACCESSORIES	
Recommended Torque: 75 ozf.in / 55 cN.m	
Cover Screws (Pkg 100) [6-32 x 1/2" Nickel Plated Screws]	1590MS100
Black Textured Powder Paint	
Cover Screws (Pkg 50) [6-32 x 1/2" SS Type 304]	1590MS50BK



**HAMMOND  
MANUFACTURING™**

1590JF

[www.hammondmfg.com](http://www.hammondmfg.com)