

# Surge protection for UL 508A applications



Comprehensive  
UL 1449 3<sup>rd</sup> Edition  
Recognized surge  
protection solutions  
for North American  
applications.

### Product description:

Eaton's Bussmann® series UL® modular surge arresters feature local, *easyID™* visual indication and optional remote contact signaling.

The unique locking system fixes the protection module to the base part. Modules can be easily replaced without tools by simply depressing the release buttons.

Integrated mechanical coding between the base and protection module ensures against installing an incorrect replacement module.

### Features and benefits:

- UL 1449 3<sup>rd</sup> Edition Recognized SPD devices provide optimum surge protection for the United States and Canadian panel markets.
- Up to 200kA SCCR for demanding applications.
- Modular DIN-Rail design with rejection feature makes it easy to install and maintain.
- *easyID* visual indication and optional remote contact signaling make status monitoring simple.
- Vibration and shock resistant according to EN 60068-2 standards to withstand harsh environments.
- IP20 finger-safe design improves electrical safety.
- All Bussmann series black DIN-Rail products are rated, Type 2 Component Assembly and can be installed in any UL 508A panel without the added expense of modifying the UL file or conducting any additional testing.

## The need for surge protection

Today's world is full of electronic products and devices that are susceptible to damage from overvoltage surges.

Whether the cause is static discharge or lightning, overvoltage surges can quickly destroy industrial, commercial and consumer electronics.

Bussmann series surge protection products help provide power quality that's free from damaging surges.

## Complete line of surge protection solutions

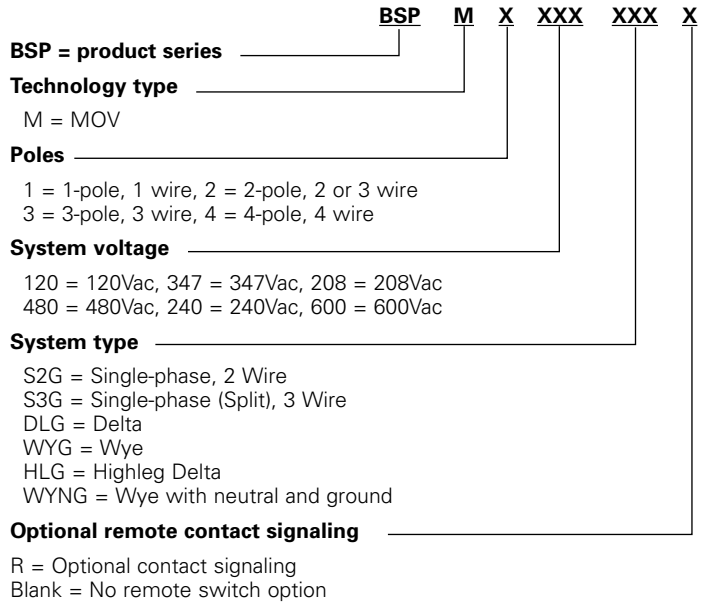


Power distribution

Control panel

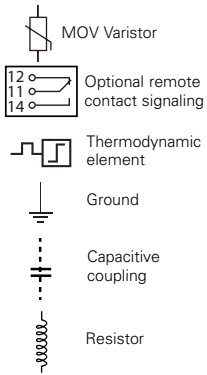
Data signal

## UL-SPD part number explanation\*

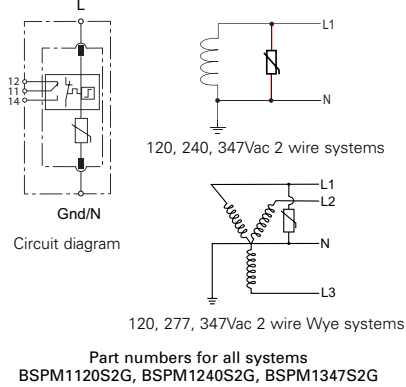


\* This is not a catalog number system for configuring and ordering an SPD for a particular application. It is an explanation of the available black label high SCCR DIN-Rail SPD catalog numbers.

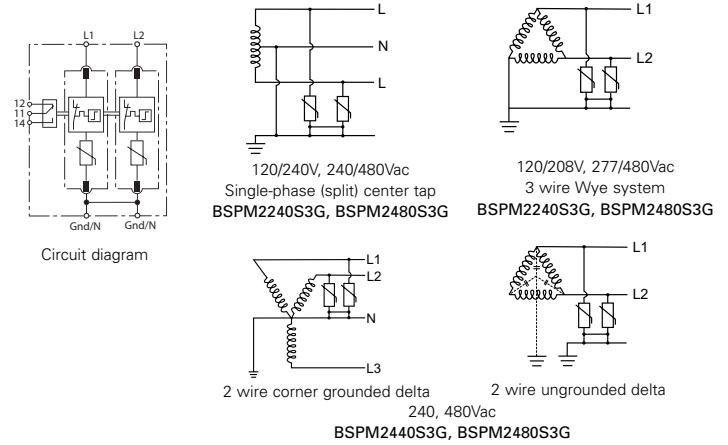
### Legend



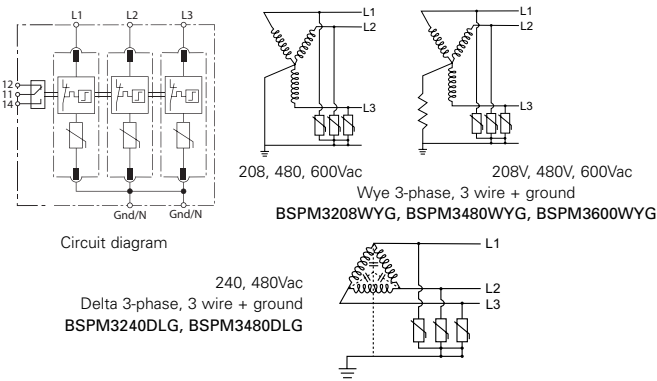
### 1-pole (2 wire) and single-phase two (2) connection points



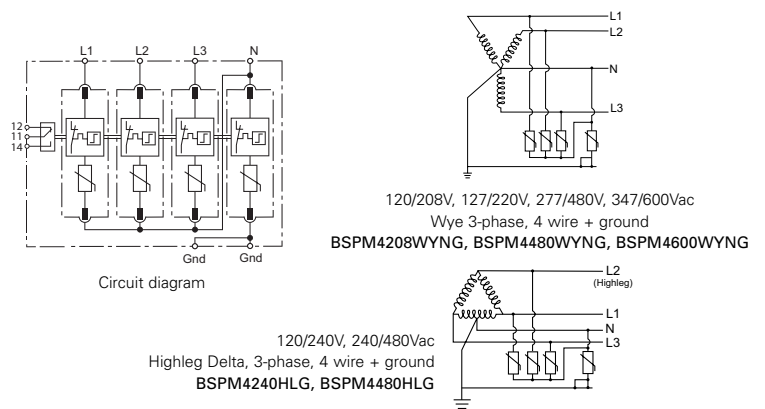
### 2-pole (2 wire / 3 wire) three (3) connection points



### 3-pole (3 wire) 3-phase four (4) connection points



### 4-pole (4 wire) 3-phase five (5) connection points



**Eaton**  
1000 Eaton Boulevard  
Cleveland, OH 44122  
United States  
Eaton.com

Bussmann Division  
114 Old State Road  
Ellisville, MO 63021  
United States  
Eaton.com/bussmannseries

© 2016 Eaton  
All Rights Reserved  
Printed in USA  
Publication No. 3190  
January 2016

For Eaton's Bussmann series product information, call **1-855-287-7626** or visit: **Eaton.com/bussmannseries**

Eaton, Bussmann and easyID are valuable trademarks of Eaton in the US and other countries. You are not permitted to use the Eaton trademarks without prior written consent of Eaton.

UL is a registered trademark of the Underwriters Laboratories, Inc.

Follow us on social media to get the latest product and support information.



# Mouser Electronics

Authorized Distributor

Click to View Pricing, Inventory, Delivery & Lifecycle Information:

[Eaton:](#)

[BSPM3480DLGR](#) [BSPM3208WYGR](#) [BSPM3240DLG](#)