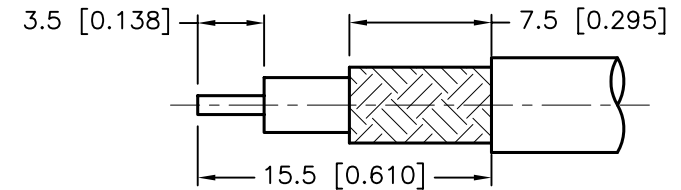
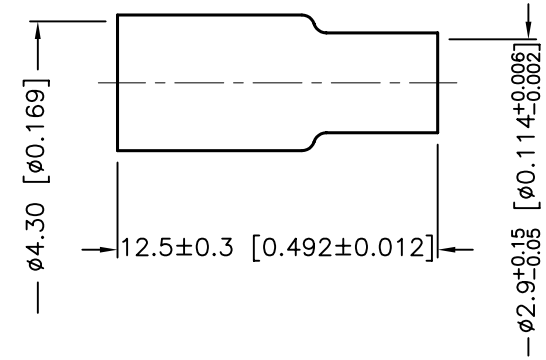
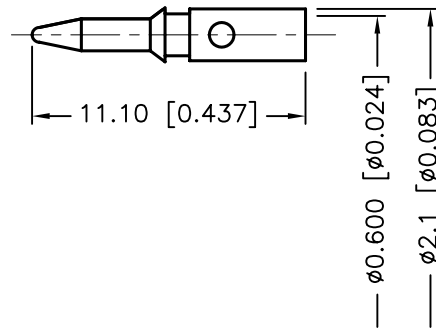
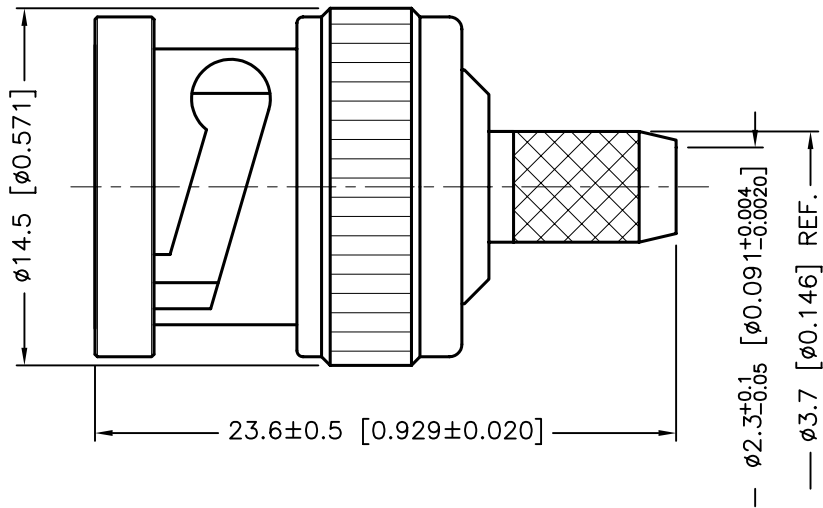


REVISIONS

DCP #	REV	DESCRIPTION	DRAWN	DATE	CHECKD	DATE	APPRVD	DATE
1902	A	RELEASED	EO	05/08/06	TL	06/15/06	HO	06/15/06



STRIPPING DIMENSION

9	CENTER CONTACT	BRASS	1	GOLD
8	CRIMP FERRULE	BRASS	1	NICKEL 100 μ" MIN.
7	SHELL	ZINC	1	NICKEL 100 μ" MIN.
6	INSULATION	TEFLON	1	NONE
5	GASKET	RUBBER	1	NONE
4	WASHER	BRASS	1	NICKEL 100 μ" MIN.
3	SPRING WASHER	SK-5	1	NICKEL 100 μ" MIN.
2	WASHER	BRASS	1	NICKEL 100 μ" MIN.
1	BODY	BRASS	1	NICKEL 100 μ" MIN.
NO	DESCRIPTION	MATERIAL	Q'TY	FINISH

SPECIFICATIONS:

- 1- BODIES: BRASS PER JIS-C3604
- 2- CENTER CONTACT: BRASS PER JIS-C3604
- 3- INSULATION: TEFLON PER ASTM D1457 AND ASTM D1710
- 4- CRIMP FERRULE: BRASS PER JIS-C2700
- 5- PART TO BE CLEAN AND FREE OF BURRS
- 6- CONNECTOR INTERFACE PER MIL-STD-348A

DISCLAIMER:
ALL STATEMENTS AND TECHNICAL INFORMATION CONTAINED HEREIN ARE BASED UPON INFORMATION AND/OR TESTS WE BELIEVE TO BE ACCURATE AND RELIABLE. SINCE CONDITIONS OF USE ARE BEYOND OUR CONTROL, THE USER SHALL DETERMINE THE SUITABILITY OF THE PRODUCT FOR THE INTENDED USE AND ASSUME ALL RISK AND LIABILITY WHATSOEVER IN CONNECTION THEREWITH.

TOLERANCES:

.X=±0.2
.XX=±0.1
.XXX=±0.05
ANGLE=±5°

DRAWN BY:	DATE:
EKLAS ODISH	05/08/06
CHECKED BY:	DATE:
THOMAS LEE	06/15/06
APPROVED BY:	DATE:
HISHAM ODISH	06/15/06

DRAWING TITLE:		BNC Coax Connector, Male, 50 Ohms, 3 Piece Construction, Crimp Style, RG174/U	
SIZE	DWG. NO.	ELECTRONIC FILE	REV
A	SPC20100	82K9780.DWG	A
SCALE:	NTS	U.O.M.: mm [Inches]	SHEET: 1 OF 1