



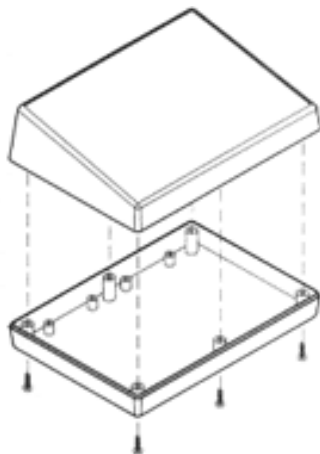
[Home](#)
[About Us](#)
[Products](#)
[Accessories](#)
[Customization](#)
[Buy Now!](#)
[Contact Us](#)
[PRODUCTS](#)

Products: SL-Series 17-S



MODEL	LENGTH	WIDTH	HEIGHT		DRAWINGS	
			(back)	(front)	(.pdf)	(.dwg)
17-S	6.890"	4.890"	2.450"	0.990"		

FEATURES



- Two-piece design with slanted top
- Recessed top for label
- Circuit board mounting bosses
- Assembly with six screws
- Customization available
 - two insert areas/I-Plates ([top](#), [bottom](#))
 - [machining](#)
 - [pad printing](#)

COLORS



Black



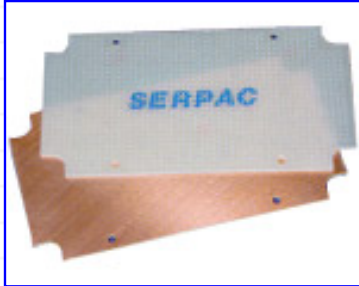
Almond



Gray

[Custom Colors Also Available](#)
[RETURN TO TOP](#)

ACCESSORIES (Click an accessory for compatible models and part numbers)



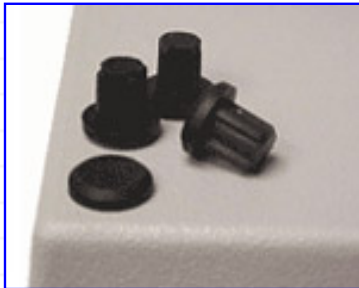
Grid and Clad Prototyping Boards
(370/371, 470/471)



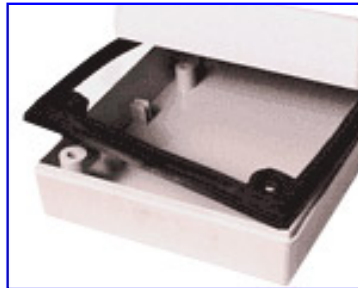
Pocket Clip



Key Holder



Non-Skid Feet (P/N 50)



Perimeter Seal (P/N PS-15)

[RETURN TO TOP](#)

[Home](#) | [About SERPAC](#) | [Products](#) | [Accessories](#) | [Customizations](#) | [Distributors](#) | [Buy Now!](#) | [Contact Us](#)

PRODUCTS: [A-Series](#) | [C-Series](#) | [CA-Series](#) | [CH-Series](#) | [G-Series](#) | [H-Series](#) | [M-Series](#) | [R-Series](#) | [S-Series](#) | [SL-Series](#)

© 2004, SERPAC Electronic Enclosures. All Rights Reserved