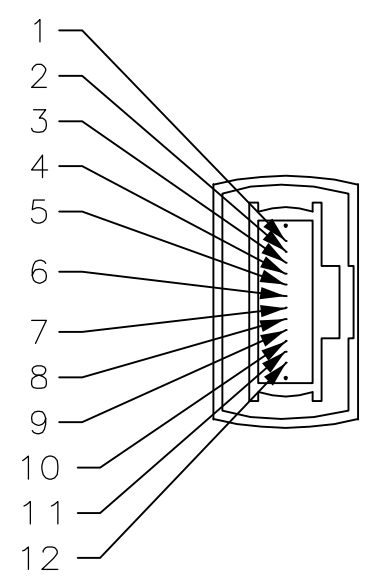
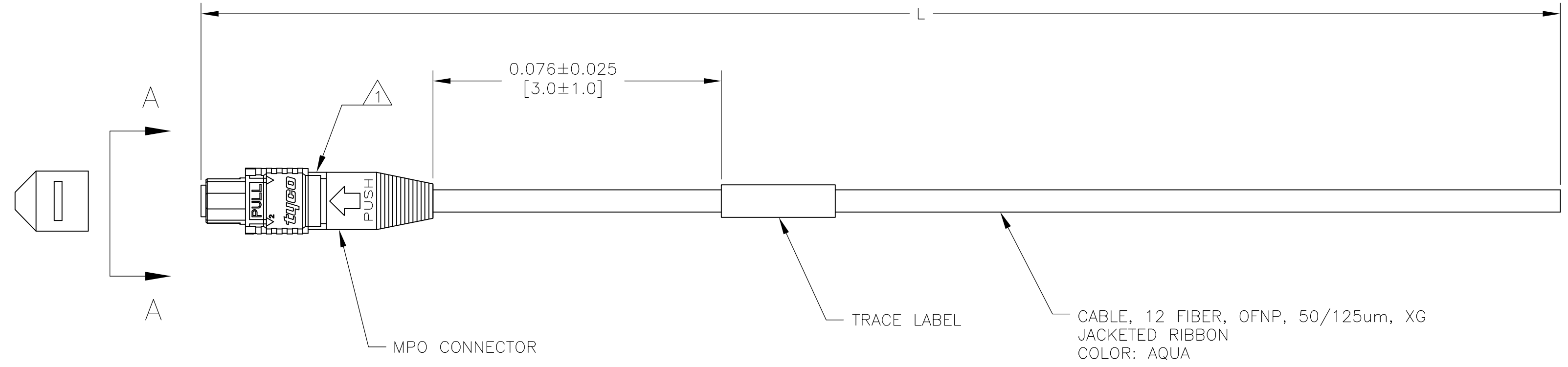


THIS DRAWING IS UNPUBLISHED. RELEASED FOR PUBLICATION  
 © COPYRIGHT BY TYCO ELECTRONICS CORPORATION. ALL RIGHTS RESERVED.

LOC	DIST	REVISIONS					
CE	16	P	LTR	DESCRIPTION	DATE	DWN	APVD
		A		RELEASED	31AUG06	KH	DLF

- 1. WHITE MARK ON CONNECTOR BODY INDICATES FIBER 1 SIDE.
- 2. MAXIMUM CONNECTOR LOSS: 0.75dB.
- 3. PRODUCT AND PROCESSING MUST MEET REQUIREMENTS OF TYCO ELECTRONICS STANDARD 230-702.
- 4. A COPY OF TEST DATA WILL BE PLACED INSIDE OR WITH THE UNIT PACKAGE.



FIBER #	COLOR
1	BLUE
2	ORANGE
3	GREEN
4	BROWN
5	SLATE
6	WHITE
7	RED
8	BLACK
9	YELLOW
10	VIOLET
11	ROSE
12	AQUA

VIEW A-A  
NOT TO SCALE

LIGHTRAY CONNECTOR FIBER PATH

AQUA SECURE	3.000+0.150-0.000	[118.110+5.906-0.000]	1-1938958-1
SLATE SECURE	3.000+0.150-0.000	[118.110+5.906-0.000]	1-1938958-0
ROSE SECURE	3.000+0.150-0.000	[118.110+5.906-0.000]	1938958-9
VIOLET SECURE	3.000+0.150-0.000	[118.110+5.906-0.000]	1938958-8
BROWN SECURE	3.000+0.150-0.000	[118.110+5.906-0.000]	1938958-8
ORANGE SECURE	3.000+0.150-0.000	[118.110+5.906-0.000]	1938958-6
YELLOW SECURE	3.000+0.150-0.000	[118.110+5.906-0.000]	1938958-5
BLUE SECURE	3.000+0.150-0.000	[118.110+5.906-0.000]	1938958-4
GREEN SECURE	3.000+0.150-0.000	[118.110+5.906-0.000]	1938958-3
RED SECURE	3.000+0.150-0.000	[118.110+5.906-0.000]	1938958-2
BLACK (STANDARD)	3.000+0.150-0.000	[118.110+5.906-0.000]	1938958-1
MPO HOUSING COLOR/TYPE	L METERS [INCHES]		PART NUMBER

THIS DRAWING IS A CONTROLLED DOCUMENT.

DWN KATHY HE 31AUG06	 Tyco Electronics Corporation Harrisburg, PA 17105-3608
CHK D.FENNELL 31AUG06	
APVD D.FENNELL 31AUG06	
NAME	
PRODUCT SPEC	
APPLICATION SPEC	
WEIGHT	
FINISH	

DIMENSIONS: METERS [INCHES]	TOLERANCES UNLESS OTHERWISE SPECIFIED:	SIZE A2	CAGE CODE 00779	DRAWING NO 1938958	RESTRICTED TO
0 PLC ± -	0 ± -	SCALE NTS	SHEET 1 OF 1	REV A	
1 PLC ± -	1 ± -	CUSTOMER DRAWING			
2 PLC ± -	2 ± -				
3 PLC ± -	3 ± -				
4 PLC ± -	4 ± -				
ANGLES ± -	± -				

# Mouser Electronics

Authorized Distributor

Click to View Pricing, Inventory, Delivery & Lifecycle Information:

[TE Connectivity:](#)

[1938958-7](#)