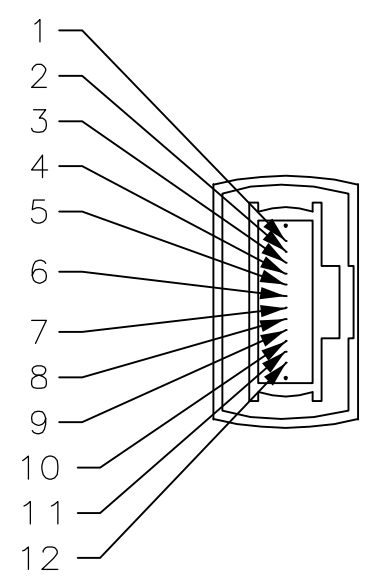
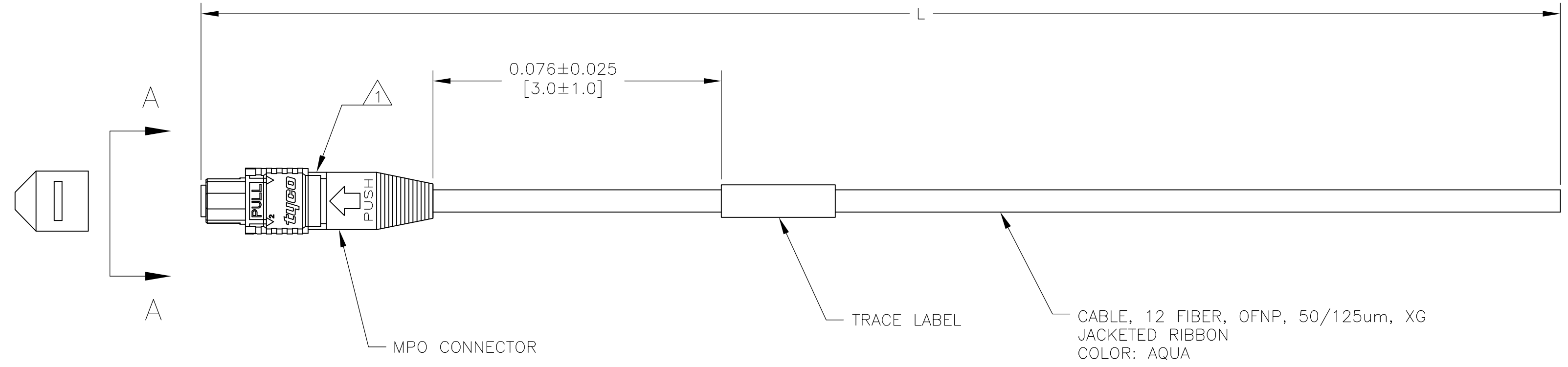


THIS DRAWING IS UNPUBLISHED. RELEASED FOR PUBLICATION
 © COPYRIGHT BY TYCO ELECTRONICS CORPORATION. ALL RIGHTS RESERVED.

LOC	DIST	REVISIONS					
CE	16	P	LTR	DESCRIPTION	DATE	DWN	APVD
		A		RELEASED	31AUG06	KH	DLF

- 1. WHITE MARK ON CONNECTOR BODY INDICATES FIBER 1 SIDE.
- 2. MAXIMUM CONNECTOR LOSS: 0.75dB.
- 3. PRODUCT AND PROCESSING MUST MEET REQUIREMENTS OF TYCO ELECTRONICS STANDARD 230-702.
- 4. A COPY OF TEST DATA WILL BE PLACED INSIDE OR WITH THE UNIT PACKAGE.



FIBER #	COLOR
1	BLUE
2	ORANGE
3	GREEN
4	BROWN
5	SLATE
6	WHITE
7	RED
8	BLACK
9	YELLOW
10	VIOLET
11	ROSE
12	AQUA

VIEW A-A
NOT TO SCALE

LIGHTRAY CONNECTOR FIBER PATH

AQUA SECURE	3.000+0.150-0.000	[118.110+5.906-0.000]	1-1938958-1
SLATE SECURE	3.000+0.150-0.000	[118.110+5.906-0.000]	1-1938958-0
ROSE SECURE	3.000+0.150-0.000	[118.110+5.906-0.000]	1938958-9
VIOLET SECURE	3.000+0.150-0.000	[118.110+5.906-0.000]	1938958-8
BROWN SECURE	3.000+0.150-0.000	[118.110+5.906-0.000]	1938958-8
ORANGE SECURE	3.000+0.150-0.000	[118.110+5.906-0.000]	1938958-6
YELLOW SECURE	3.000+0.150-0.000	[118.110+5.906-0.000]	1938958-5
BLUE SECURE	3.000+0.150-0.000	[118.110+5.906-0.000]	1938958-4
GREEN SECURE	3.000+0.150-0.000	[118.110+5.906-0.000]	1938958-3
RED SECURE	3.000+0.150-0.000	[118.110+5.906-0.000]	1938958-2
BLACK (STANDARD)	3.000+0.150-0.000	[118.110+5.906-0.000]	1938958-1
MPO HOUSING COLOR/TYPE	L METERS [INCHES]		PART NUMBER

THIS DRAWING IS A CONTROLLED DOCUMENT.		DWN KATHY HE 31AUG06	Tyco Electronics Corporation Harrisburg, PA 17105-3608	
DIMENSIONS: METERS [INCHES]		CHK D.FENNELL 31AUG06	NAME	
TOLERANCES UNLESS OTHERWISE SPECIFIED:		APVD D.FENNELL 31AUG06	PRODUCT SPEC	
0 PLC ± -		APPLICATION SPEC		
1 PLC ± -		WEIGHT		
2 PLC ± -		SIZE A2		
3 PLC ± -		CAGE CODE 00779		
4 PLC ± -		DRAWING NO 1938958		
ANGLES ± -		RESTRICTED TO		
FINISH		CUSTOMER DRAWING		
		SCALE NTS SHEET 1 OF 1 REV A		