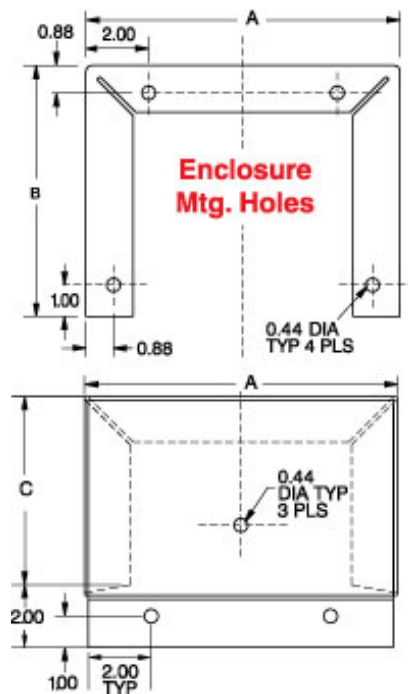


## Floor Stand Kit *1481F Series*

### Features

- Kit includes two mounting feet and hardware kit.
- Pre-punched mounting feet may be used as a template to drill holes on bottom of enclosure.
- Finished in gray or natural brushed stainless steel.



**Floor Mtg. Holes**

Steel Part No.	Stainless Steel Part No.	Foot Height	Enclosure Depth	Dimensions		
				A	B	C
1481FA8K		6.00	8.00	8.00	6.00	4.00
1481FA10K		6.00	10.00	10.00	8.00	6.00
1481FA12K		6.00	12.00	12.00	8.00	6.00
1481FA16K		6.00	16.00	16.00	10.00	8.00
1481FA18K		6.00	18.00	18.00	8.00	6.00
1481FA20K		6.00	20.00	20.00	10.00	8.00
1481FC6K		12.00	6.00	6.00	5.00	4.00
1481FC8K	1481FC8KSS	12.00	8.00	8.00	6.00	4.00
1481FC10K	1481FC10KSS	12.00	10.00	10.00	8.00	6.00
1481FC12K	1481FC12KSS	12.00	12.00	12.00	8.00	6.00
1481FC16K	1481FC16KSS	12.00	16.00	16.00	10.00	8.00
1481FC18K		12.00	18.00	18.00	8.00	6.00
1481FC20K		12.00	20.00	20.00	10.00	8.00
1481FC24K		12.00	24.00	24.00	10.00	8.00
1481FE6K		15.00	6.00	6.00	5.00	4.00
1481FE8K		15.00	8.00	8.00	6.00	4.00
1481FE10K		15.00	10.00	10.00	8.00	6.00

<b>Steel</b>	<b>Stainless Steel</b>	<b>Foot</b>	<b>Enclosure</b>	<b>Dimensions</b>		
<b>Part No.</b>	<b>Part No.</b>	<b>Height</b>	<b>Depth</b>	<b>A</b>	<b>B</b>	<b>C</b>
<b>1481FE12K</b>		15.00	12.00	12.00	8.00	6.00
<b>1481FE16K</b>		15.00	16.00	16.00	10.00	8.00
<b>1481FE18K</b>		15.00	18.00	18.00	10.00	8.00
<b>1481FE24K</b>		15.00	24.00	24.00	10.00	8.00
<b>1481FG6K</b>		18.00	6.00	6.00	5.00	4.00
<b>1481FG8K</b>		18.00	8.00	8.00	8.00	6.00
<b>1481FG10K</b>		18.00	10.00	10.00	8.00	6.00
<b>1481FG12K</b>		18.00	12.00	12.00	8.00	6.00
<b>1481FG16K</b>		18.00	16.00	16.00	10.00	8.00
<b>1481FK6K</b>		24.00	6.00	6.00	5.00	4.00
<b>1481FK8K</b>		24.00	8.00	8.00	8.00	4.00
<b>1481FK10K</b>	<b>1481FK10KSS</b>	24.00	10.00	10.00	8.00	4.00
<b>1481FK12K</b>	<b>1481FK12KSS</b>	24.00	12.00	12.00	10.00	6.00
<b>1481FK16K</b>		24.00	16.00	16.00	12.00	8.00

*Data subject to change without notice*