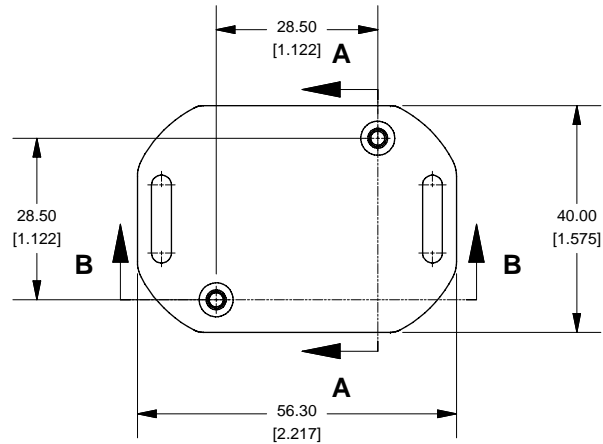
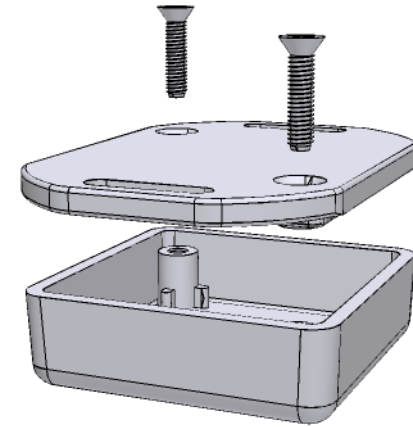
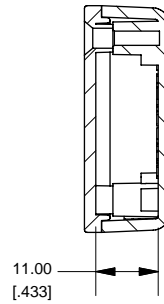


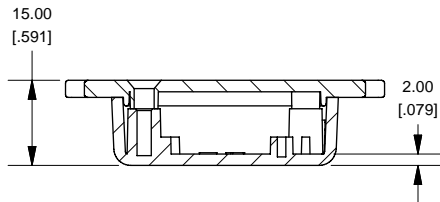
Top View of Assembly



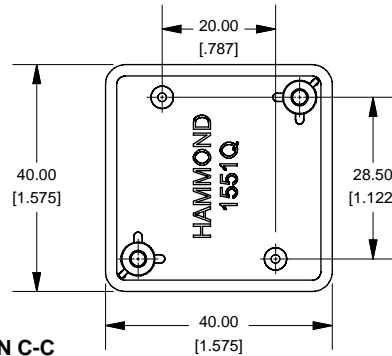
SECTION A-A End View of Assembly



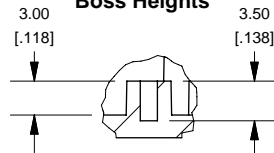
SECTION B-B Side View of Assembly



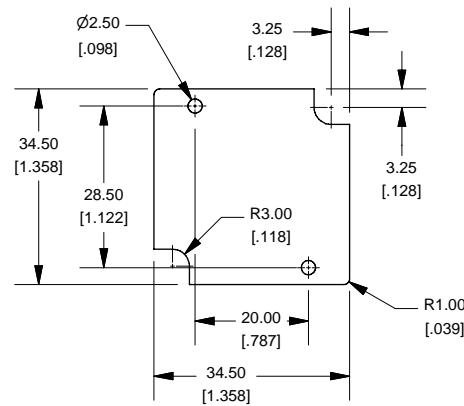
Top View Looking Inside Box



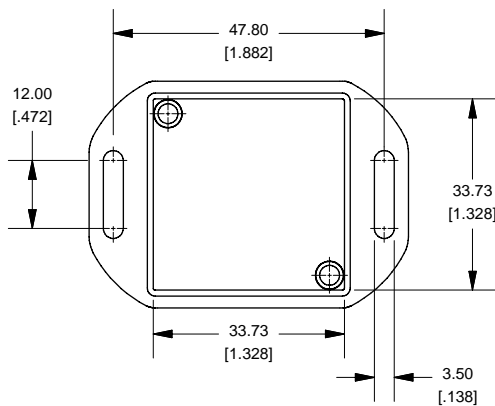
SECTION C-C Boss Heights



Maximum P.C. Board Size



Lid



1551QFL (Flanged Lid)

NOTE

Purchased assembly includes lid and box made from GP ABS material and cover screws.

1551QFL	
1551QFL Flange Enclosure	
Black Enclosure - RAL 7001 - UL94 - HB	1551QFLHBK
Gray Enclosure - RAL 7035 - UL94 - HB	1551QFLFGY
ACCESSORIES	
Black Enclosure Cover Screws (Pkg 100) [#4 X 1/2" Self Tapping]	1591TS100BK
Grey Enclosure Cover Screws (Pkg 100) [#4 X 1/2" Self Tapping]	1591TS100
P.C. Board Screws (Pkg 100) [32 x 3/16" Self Tapping]	1551ATS100



www.hammondmfg.com