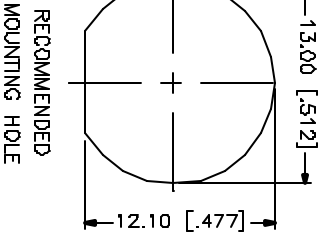
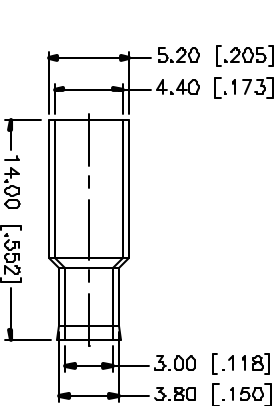
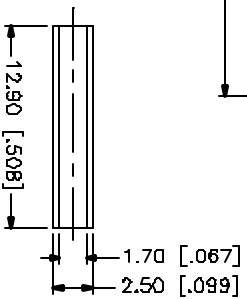
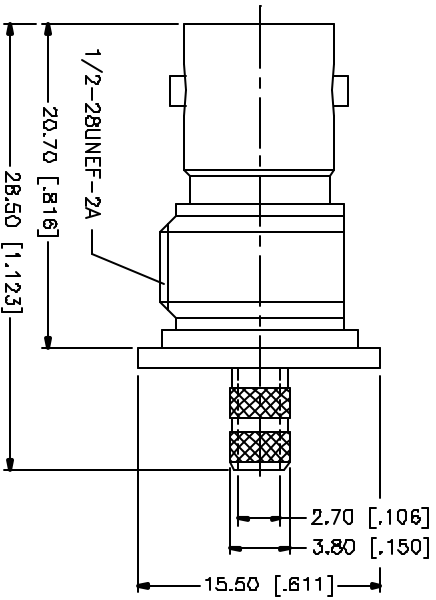
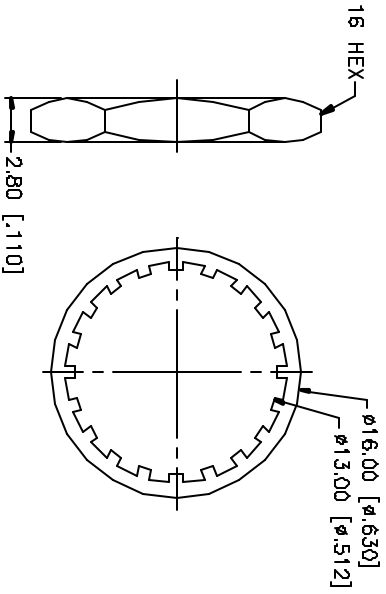
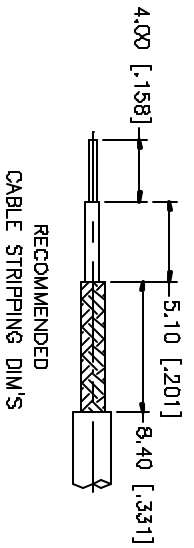


REV.	DATE	DESCRIPTION
A	05/01/04	UPDATE DRAWING FORMAT



- CRIMP NOTES:
1. CRIMPED FERRULE
HEX CRIMP SIZE .178"
 2. CRIMPED CONTACT PIN
HEX CRIMP SIZE .068"

QTY	DESCRIPTION	MATERIAL	FINISH	UNIT'S	DO NOT SCALE DRAWING	APPROVALS	DATE	PART DESCRIPTION
1	FERRULE	COPPER	NICKEL	UNLESS OTHERWISE SPECIFIED DIMENSIONS ARE IN MILLIMETERS. DIMENSIONS IN [] ARE IN INCHES AND FOR CLEARANCE REFERENCE ONLY.	DO NOT SCALE DRAWING	DRAWN	05/01/04	Amphenol Comnex BNC BULKHEAD ISOLATED CRIMP JACK (FOR RG-174/U, 188A/U, 316/U CABLE)
1	SLEEVE	DELRIN	NATURAL	UNLESS OTHERWISE SPECIFIED DIMENSIONS ARE IN MILLIMETERS AND FOR CLEARANCE REFERENCE ONLY.	DO NOT SCALE DRAWING	ISSUED		
1	CONTACT PIN	PHOS. BRONZE	BOLD	UNLESS OTHERWISE SPECIFIED DIMENSIONS ARE IN MILLIMETERS AND FOR CLEARANCE REFERENCE ONLY.	DO NOT SCALE DRAWING	SHEET	1 OF 1	
1	HEX NUT	BRASS	NICKEL	UNLESS OTHERWISE SPECIFIED DIMENSIONS ARE IN MILLIMETERS AND FOR CLEARANCE REFERENCE ONLY.	DO NOT SCALE DRAWING			
1	LOCK WASHER	BRASS	NICKEL	UNLESS OTHERWISE SPECIFIED DIMENSIONS ARE IN MILLIMETERS AND FOR CLEARANCE REFERENCE ONLY.	DO NOT SCALE DRAWING			
1	GASKET	RUBBER	NICKEL	UNLESS OTHERWISE SPECIFIED DIMENSIONS ARE IN MILLIMETERS AND FOR CLEARANCE REFERENCE ONLY.	DO NOT SCALE DRAWING			
1	INSULATOR	DELRIN	NATURAL	UNLESS OTHERWISE SPECIFIED DIMENSIONS ARE IN MILLIMETERS AND FOR CLEARANCE REFERENCE ONLY.	DO NOT SCALE DRAWING			
1	BODY	BRASS	NICKEL	UNLESS OTHERWISE SPECIFIED DIMENSIONS ARE IN MILLIMETERS AND FOR CLEARANCE REFERENCE ONLY.	DO NOT SCALE DRAWING			
	DESCRIPTION	MATERIAL	FINISH	QTY				