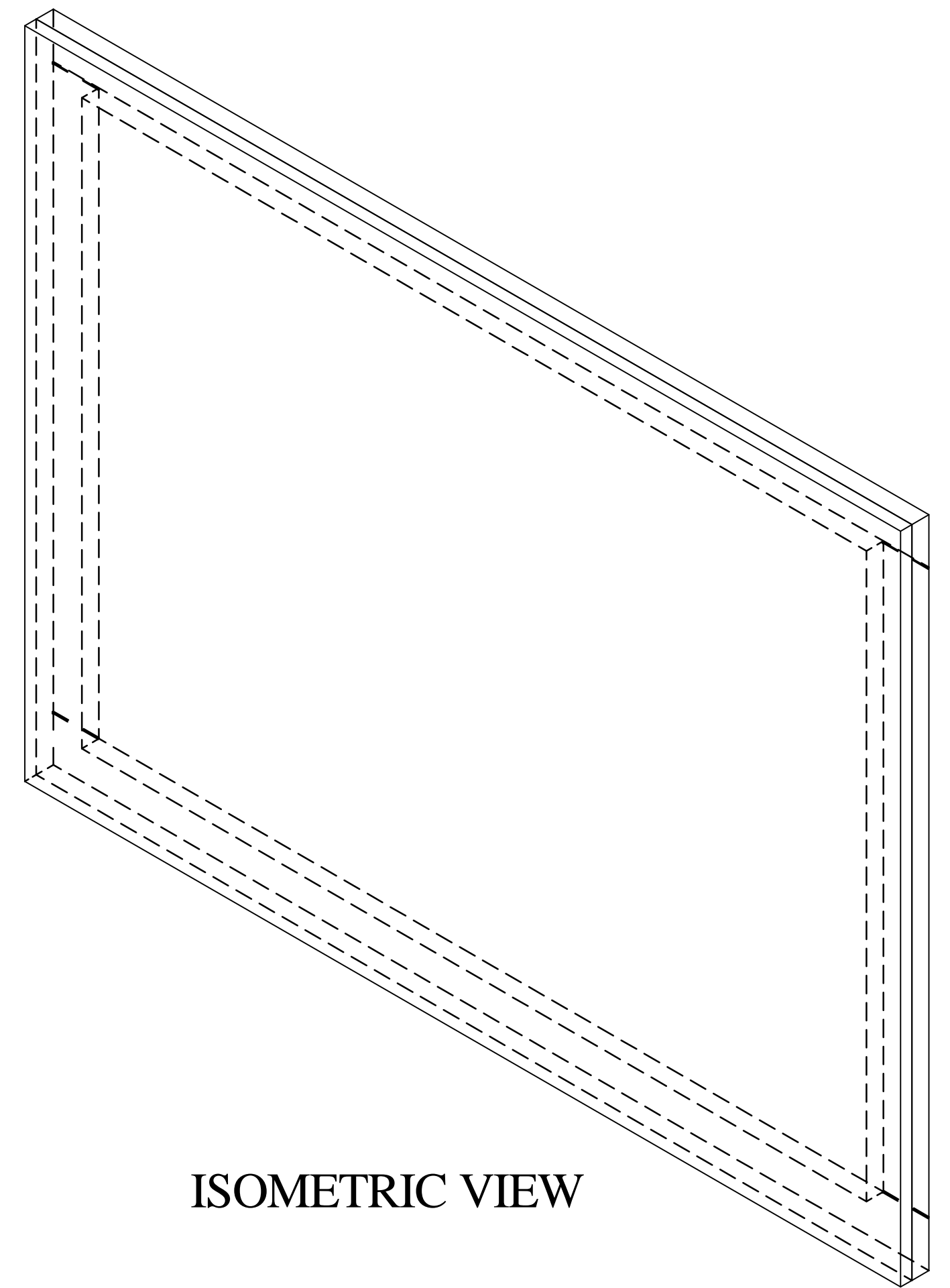


PART No. 1481WFL96

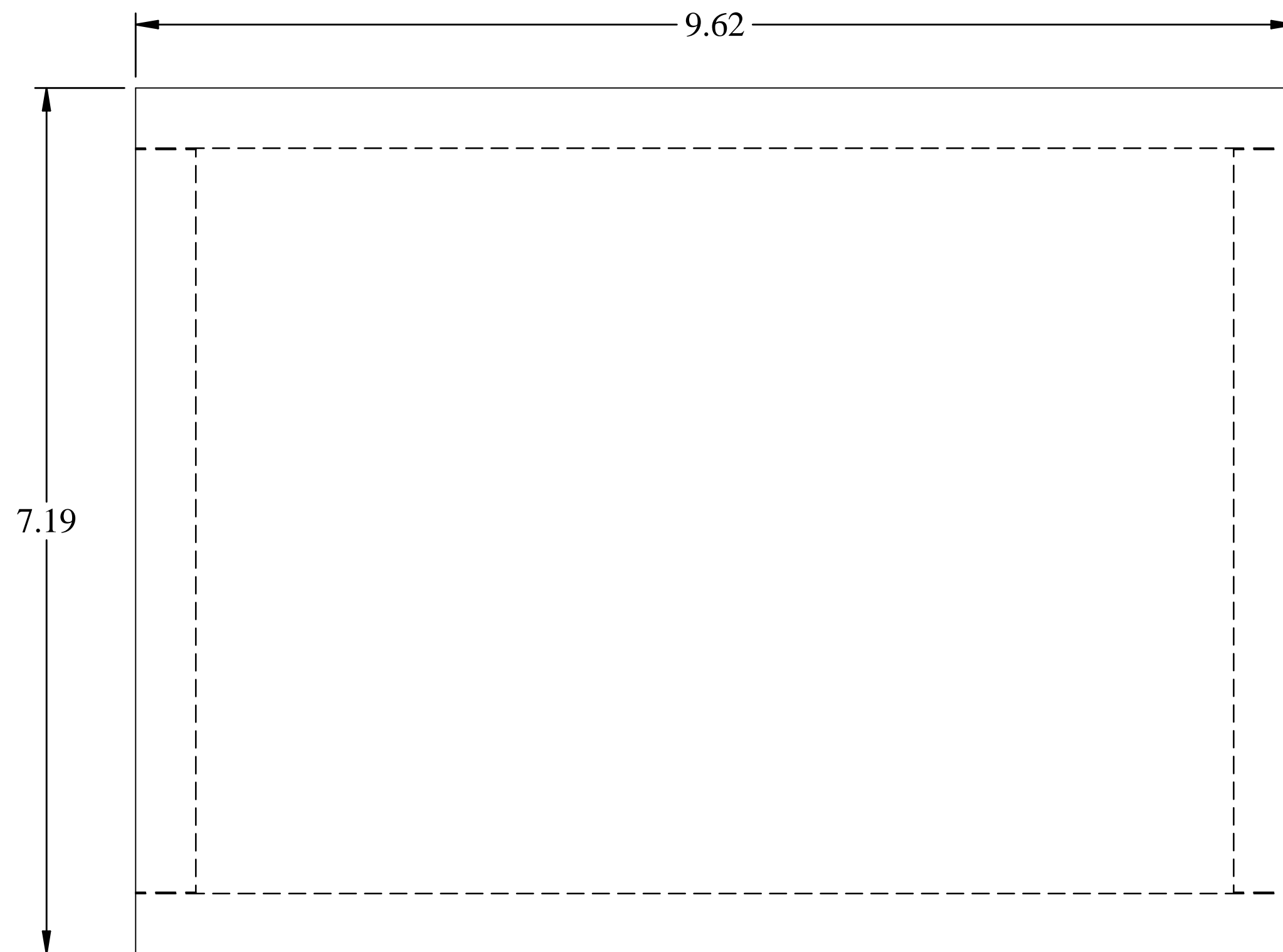
for more information visit
www.hammondmfg.com

Data subject to change without notice

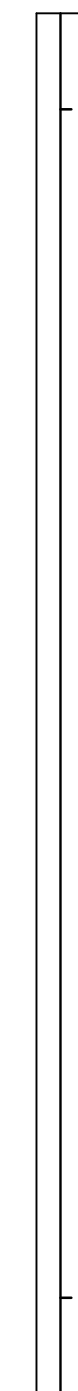
Isometric drawing Not to Scale



ISOMETRIC VIEW



FRONT VIEW



SIDE VIEW