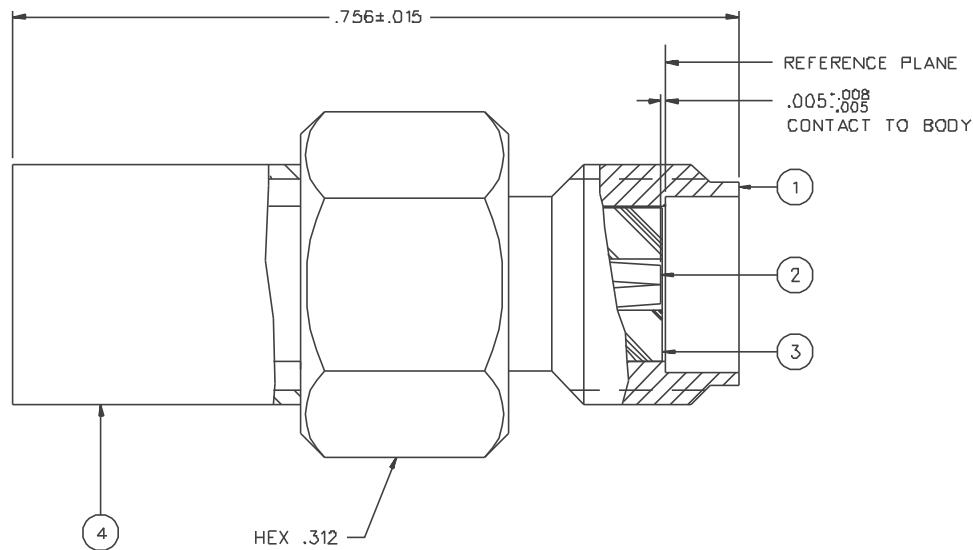


PART NUMBER	ITEM ① BODY	ITEM ② CONTACT	ITEM ③ INSULATOR	ITEM ④ CRIMP SLEEVE
142-0308-011	BRASS GOLD PL .00001 MIN OVER NICKEL PL .00005 MIN OVER COPPER PL .00005 MIN	BERYLLIUM COPPER GOLD PL .00005 MIN OVER NICKEL PL .00005 MIN OVER COPPER PL .00005 MIN	TEFLON	BRASS GOLD PL .00001 MIN OVER NICKEL PL .00005 MIN OVER COPPER PL .00005 MIN
142-0308-016	BRASS NICKEL PL .0001 MIN OVER COPPER PL .00005 MIN	BERYLLIUM COPPER GOLD PL .00005 MIN OVER NICKEL PL .00005 MIN OVER COPPER PL .00005 MIN	TEFLON	BRASS NICKEL PL .0001 MIN OVER COPPER PL .00005 MIN



NOTES:

1. SPECIFICATIONS:

IMPEDANCE: 50 OHMS  
 FREQUENCY RANGE: 0-12.4 GHz  
 VSWR: 1.15-.01 F MAX (F IN GHz)  
 WORKING VOLTAGE: 335 VRMS MAX AT SEA LEVEL  
 DIELECTRIC WITHSTANDING VOLTAGE: 1000 VRMS MIN AT SEA LEVEL  
 INSULATION RESISTANCE: 5000 MEGOHM MIN  
 CONTACT RESISTANCE:  
 CENTER CONTACT - INITIAL 3.0 MILLIOHM MAX, AFTER ENVIRONMENTAL 4.0 MILLIOHM MAX  
 OUTER CONDUCTOR - INITIAL 2.0 MILLIOHM MAX  
 AFTER ENVIRONMENTAL NOT APPLICABLE  
 BODY TO CABLE - 0.5 MILLIOHM MAX (GOLD PLATED)  
 5.0 MILLIOHM MAX (NICKEL PLATED)  
 CORONA LEVEL: 250 VOLTS MIN AT 70,000 FEET  
 INSERTION LOSS: .06 √F MAX (F IN GHz) AT 6 GHz  
 RF LEAKAGE: -60 DB MIN AT 2.5 GHz  
 RF HIGH POTENTIAL WITHSTANDING VOLTAGE: 670 VRMS MIN AT 4 AND 7 MHz

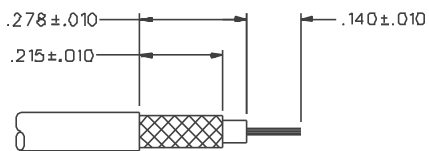
MECHANICAL:

ENGAGE/DISENGAGE TORQUE: 2 INCH-POUNDS MAX  
 MATING TORQUE: 7-10 INCH POUNDS  
 COUPLING PROOF TORQUE: NOT APPLICABLE  
 COUPLING NUT RETENTION: NOT APPLICABLE  
 CONTACT RETENTION: 6 LBS MIN AXIAL FORCE  
 CABLE ACCEPTABILITY: RG 55/U, RG 142/U  
 RG 223/U, RG 400/U

CABLE HEX CRIMP SIZE: .213  
 CONTACT CRIMP TOOL: P/N 144-00DD-91D WITH POSITIONER 141-0000-907  
 CABLE RETENTION: 45 LBS MIN AXIAL FORCE  
 DURABILITY: 500 CYCLES MIN

ENVIRONMENTAL:

(MEETS OR EXCEEDS THE APPLICABLE PARAGRAPH OF MIL-C-39012)  
 THERMAL SHOCK: MIL-STD-202, METHOD 107, CONDITION B, EXCEPT B5° C HIGH TEMP  
 OPERATING TEMPERATURE: -65° C TO 165° C  
 CORROSION: MIL-STD-202, METHOD 101, CONDITION B  
 SHOCK: MIL-STD-202, METHOD 213, CONDITION I  
 VIBRATION: ML-STD-202, METHOD 204, CONDITION D  
 MOISTURE RESISTANCE: MIL-STD-202, METHOD 106



CABLE STRIP DIMENSIONS

4:1

DRAWING NO. C - 142-0308-011/020	
0	REVISIONS
ENGINEERING RELEASE	
1	8-29-92 R H T B 9-1-92 ECO 41216
CHANGED: CRIMP SLEEVE MATERIAL BRASS WAS COPPER	
1a	5-11-94 R W P A H 5-19-94 ECN 42459
VERSION UPDATE	
1b	4-19-95 R S R K B 6-1-95 ECN 43199
VERSION UPDATE	
1c	5-23-00 R A B H B 8-2-00 ECN 47109
ADDED: CRIMP TOOL PART NUMBERS	
* REVISION NUMBER FOLLOWED BY AN ALPHA *	
* CHARACTER INDICATES DRAWING CHANGE *	
* CATION OR PART NUMBER ADDITION ONLY. *	
1d	12-7-00 R H T B K B ECN 47439

CUSTOMER DRAWING

THIS DRAWING TO BE INTERPRETED PER ANS Y 14.5M - 1982

"μSTATION"

COMPANY CONFIDENTIAL

TOLERANCE UNLESS OTHERWISE SPECIFIED	DRAWN BY TAK	DATE 5-14-92	 Cinch Connectivity Solutions 299 Johnson Ave. Ste. 100 Waukegan, IL 60093 1-800-247-8256	
DECIMALS .XX	CHECKED BY TAK	DATE 8-31-92	TITLE JACK ASSEMBLY STRAIGHT CABLED SMA, RG 142	
.XXX REF	APPROVED BY TAK	DATE 8-31-92	CODE NO.	DRAWING NO. C - 142-0308-011/020
MATL	APPROVED BY RJB	DATE 8-31-92	SCALE 10:1	U/M INCH SHEET 2 OF 2
FINISH	RELEASE DATE	9-1-92		

# Mouser Electronics

Authorized Distributor

Click to View Pricing, Inventory, Delivery & Lifecycle Information:

[Cinch Connectivity Solutions:](#)

[142-0308-011](#)