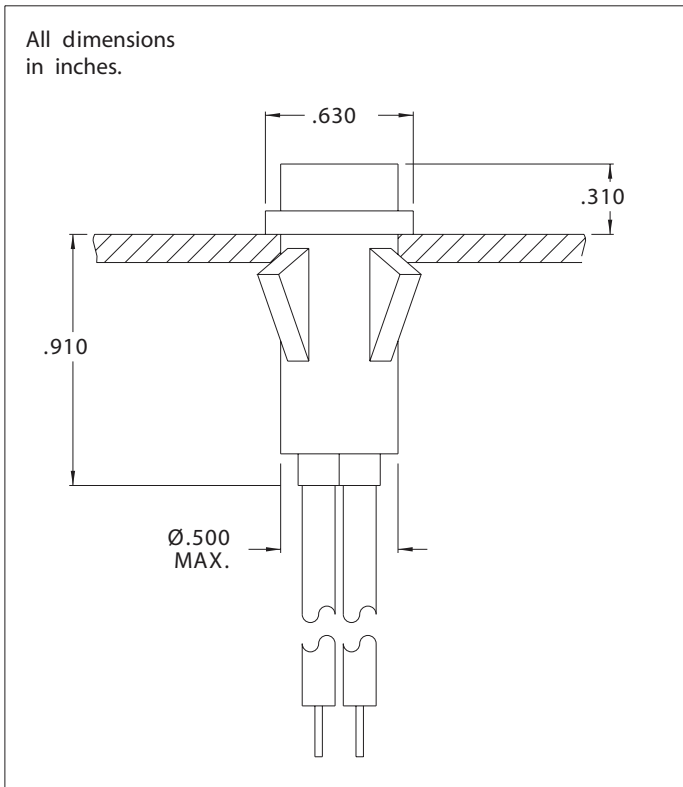


1050C, 1051C, 1052C, 1053C and 1090C Series Non-Relampable Incandescent Indicator Lights

Description and Features



Mounting: Will snap-fit into Ø.500/.505 hole in panels .020/.100 thick. Push-on speednut SN0461 also available. Mounting hole pattern on page SP2.

Wire Leads: No. 22 AWG (105°C) 4.40/4.80 long, stripped .430/.570

Lens: Nylon on model 1050C1, 1050C3, 1050C4, 1051C1, 1051C3, 1051C4, Polycarbonate on all other models.

Bezel: Polished stainless steel.

Housing: White Nylon

Lens Color	Neon		Incandecent	
	Model No. (105-125VAC)	Model No. (208-250V)	Model No. (12V)	Model No. (28V)
Red	1050C 1	1051C1	1090C 1-12V	1090C 1-28V
Clear	1050C 2	-	-	-
Amber	1050C 3	1051C3	1090C 3-12V	1090C 3-28V
White	1050C 4	1051C 4	1090C 4-12V	1090C 4-28V
Green	1052C 5*	1053C5*	1090C 5-12V	1090C 5-28V
Lamp used	C2A+Resitor	C2A+Resistor	#2162	#2187
Lead Color	Black	One Black/One Red	Yellow	Purple

* Incorporates G2B lamp and resistor.
Underwriters Laboratories (UL) File No. E20356

Mouser Electronics

Authorized Distributor

Click to View Pricing, Inventory, Delivery & Lifecycle Information:

Chicago Miniature:

[1052C5](#) [1051C3](#) [1051C1](#) [1090C5-28V](#) [1090C3-28V](#) [1090C5-12V](#) [1090C1-28V](#) [1090C3-12V](#) [1090C1-12V](#)
[1053C5](#) [1050C4](#) [1050C1](#) [1050C3](#) [1050C2](#) [1090C4-12V](#) [1090C4-28V](#) [1051C4](#)