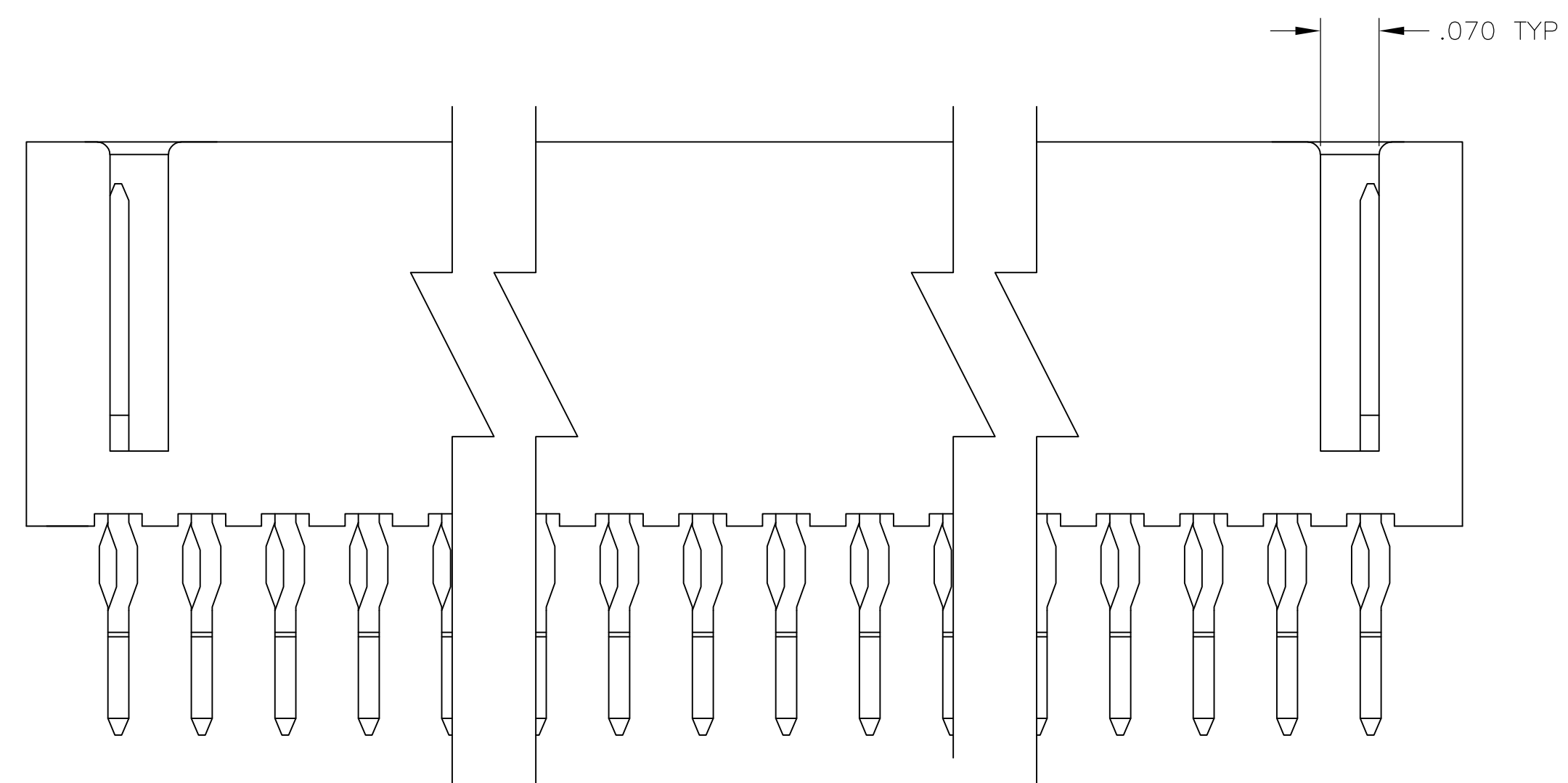
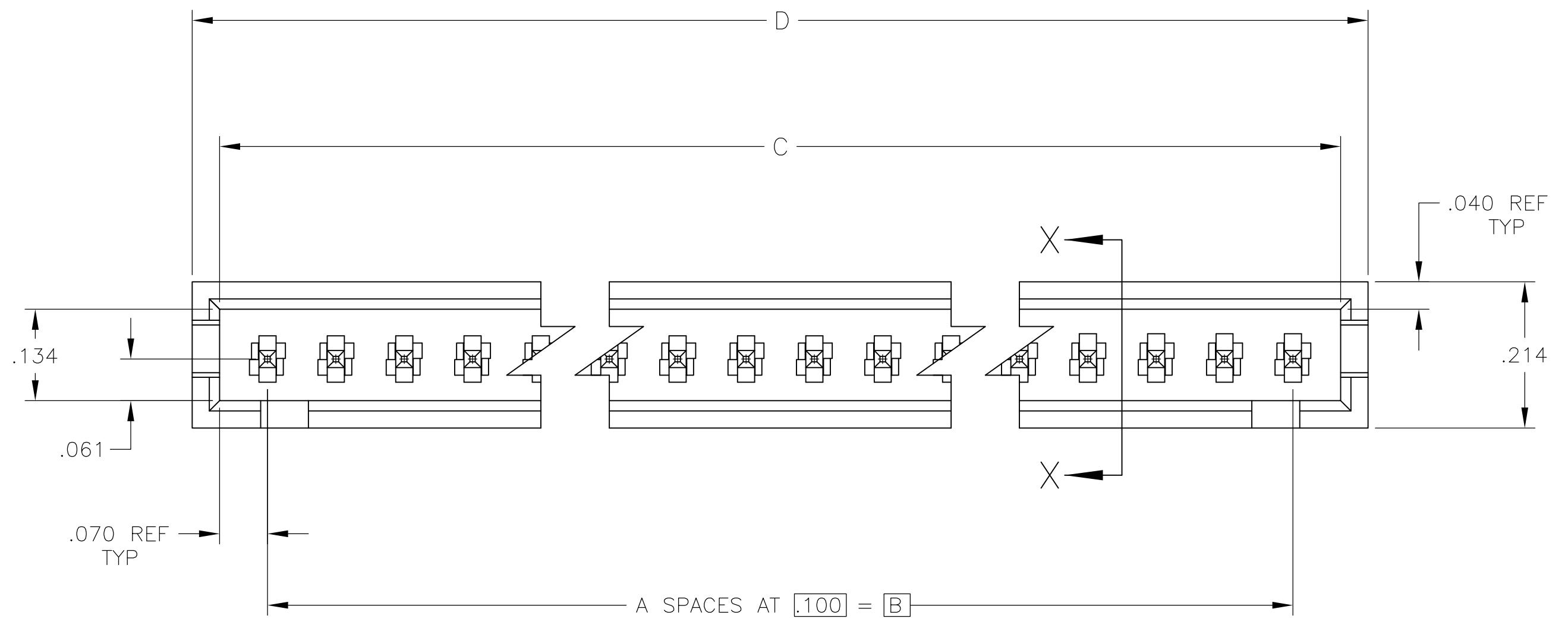
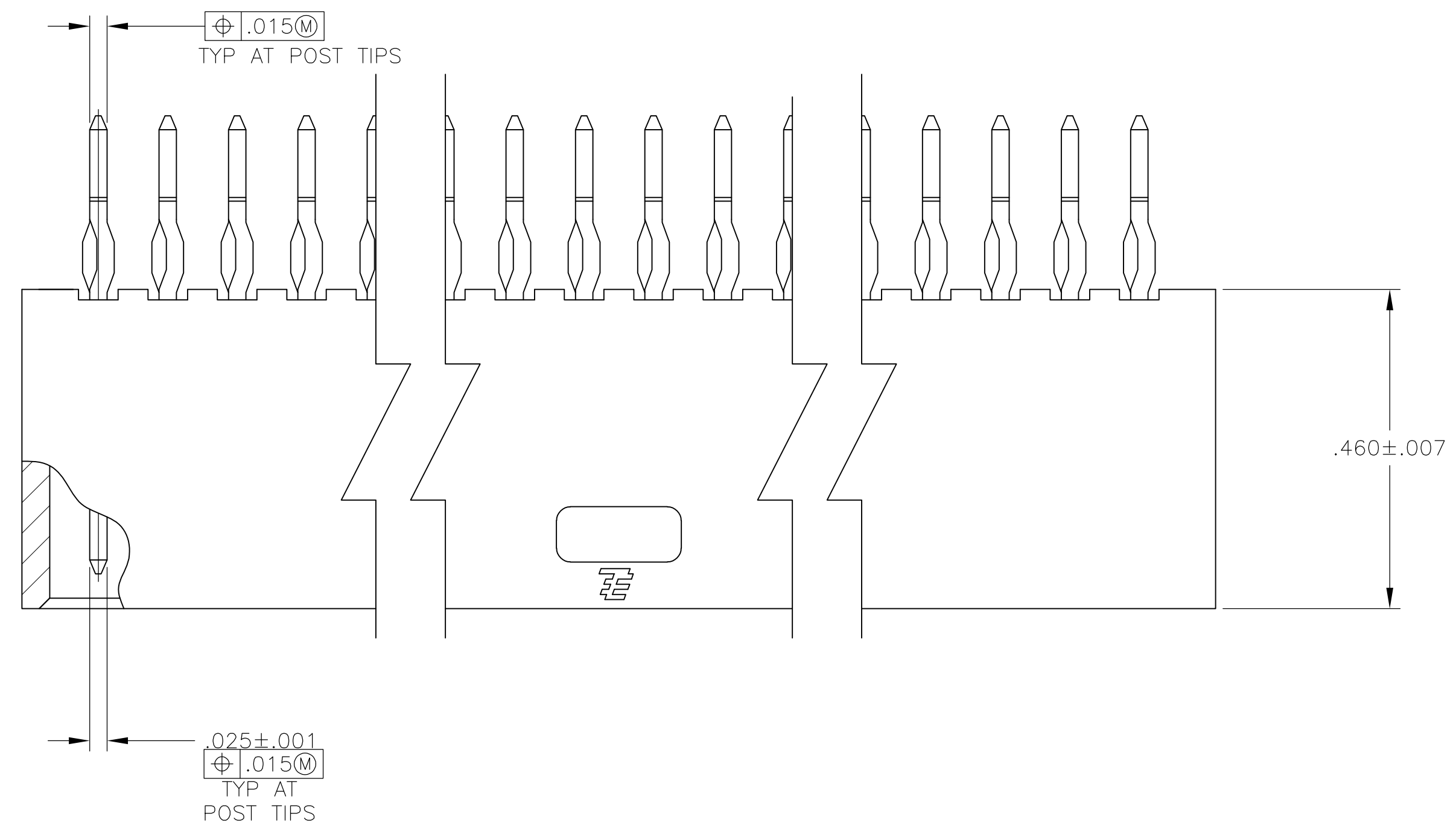
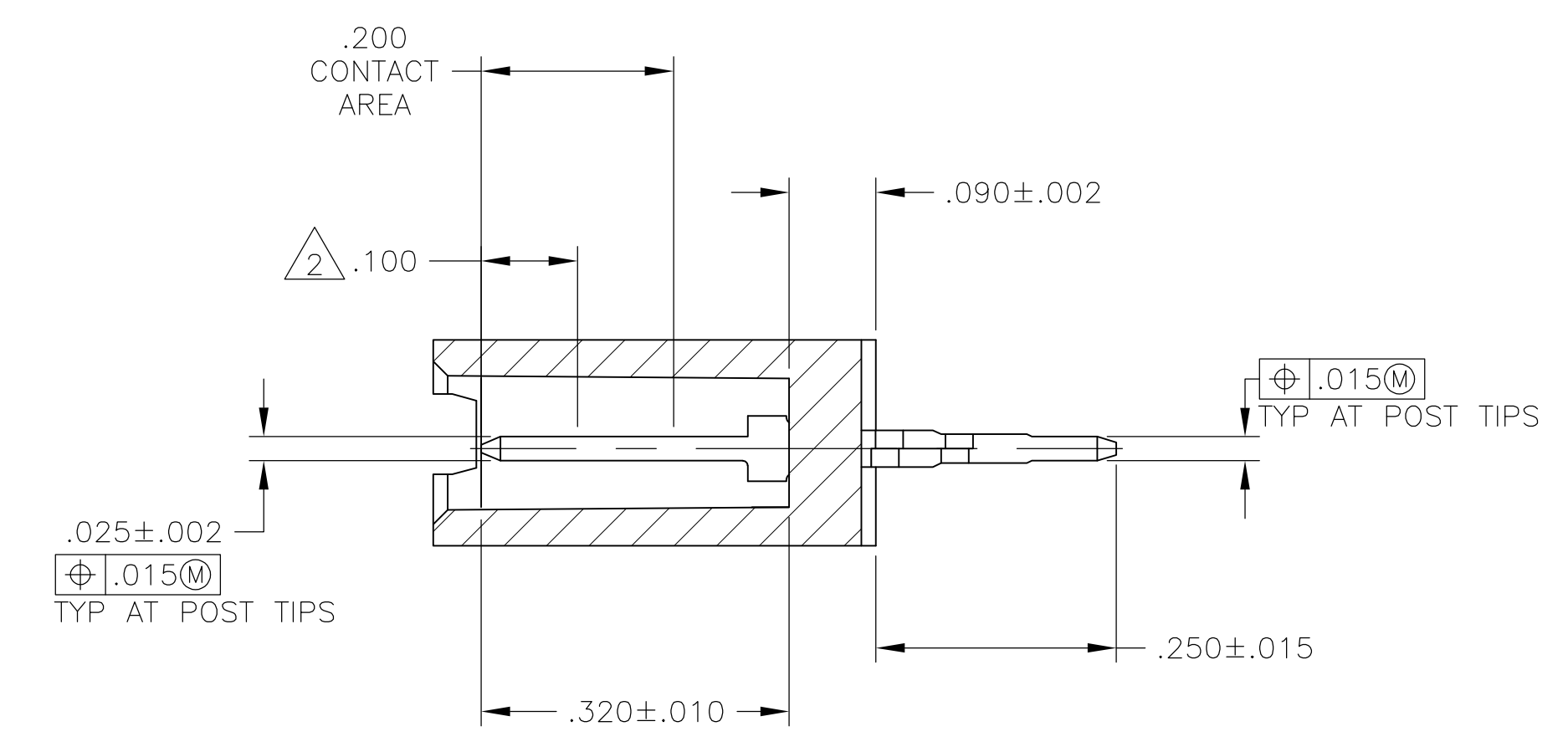


LOC		DIST		REVISIONS			
AD	00	IF	LTR	DESCRIPTION	DATE	DWN	APVD
		1		PRELIMINARY	06MAR08	MB	JG

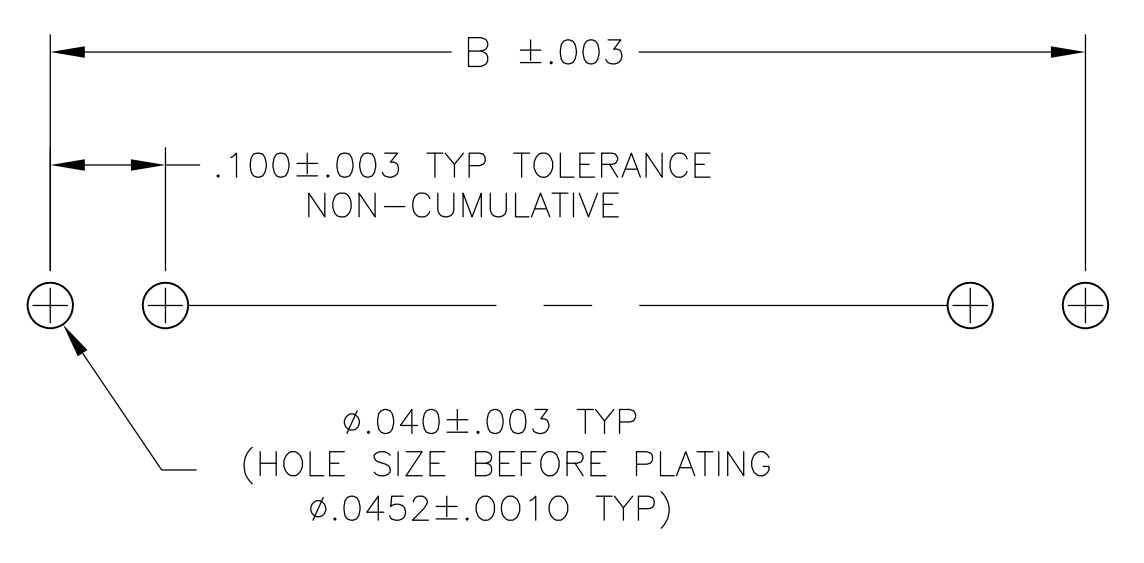


- 1 HOUSING: FLAME RETARDANT THERMOPLASTIC, COLOR- BLACK  
POST: COPPER ALLOY
- 2 POINT OF MEASUREMENT FOR PLATING THICKNESS
- 3 .000030 GOLD ON THE CONTACT AREA, .000100-.000200 MATE TIN-LEAD ON SOLDER TAIL, ALL OVER .000050 NICKEL



SECTION X-X

**PRELIMINARY**  
NOT RELEASED FOR PRODUCTION



RECOMMENDED HOLE LAYOUT

2.620	2.540	2.400	24	25	1977340-1
D	C	B	A	NO OF POSN	PART NUMBER

THIS DRAWING IS A CONTROLLED DOCUMENT.

DIMENSIONS: INCHES	TOLERANCES UNLESS OTHERWISE SPECIFIED:	DWN: M BINNER	20MAR08	Tyco Electronics Corporation Harrisburg, PA 17105-3608	
0 PLC ± -	1 PLC ± -	CHK: J GSEFORD	03/20/08		
2 PLC ± -	3 PLC ± .005	APP: J GSEFORD	03/20/08	ASSEMBLY, MOD II, HEADER SINGLE ROW .100CL (4) SIDED SHROUD ACTION PIN	
4 PLC ± -	ANGLES ± 0° 30'	PRODUCT SPEC	APPLICATION SPEC		
MATERIAL	FINISH	SIZE	CAGE CODE	DRAWING NO	RESTRICTED TO
		A1	00779	1977340	
CUSTOMER DRAWING		SCALE	4:1	SHEET	1 OF 1
		REV	1		

# Mouser Electronics

Authorized Distributor

Click to View Pricing, Inventory, Delivery & Lifecycle Information:

[TE Connectivity:](#)

[1977340-1](#)