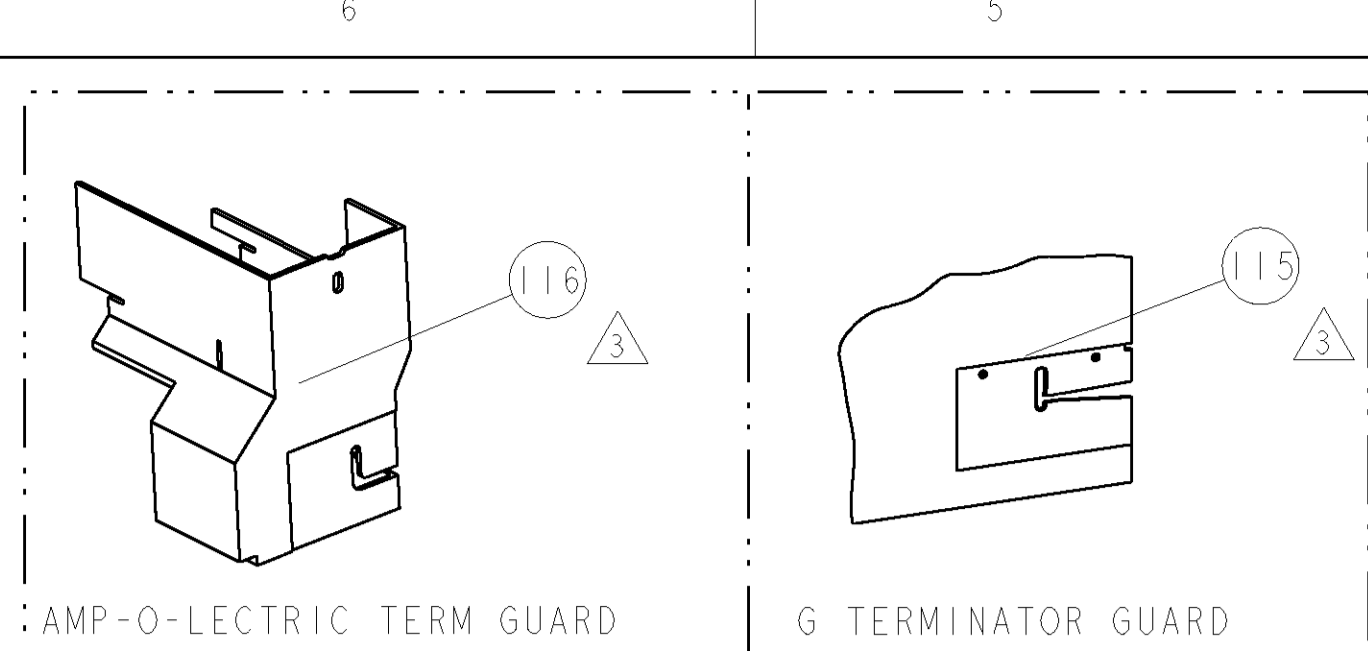


PART NUMBER	REV	FIRST USED	POWER UNIT	FEED TYPE	DESCRIPTION
1852414-1	A	122500-1	LEADMAKER	POST FEED	CUTS CARRIER
1852414-2	A	565435-5	BENCH MODEL K	PRE FEED	CUTS CARRIER
1852414-3	A	354500-1	BENCH MODEL G	PRE FEED	CUTS CARRIER
1852414-6	A	122500-1	LEADMAKER	POST FEED	CONTINUOUS CARRIER
7-1852414-7	A	-	-	-	SPARE PARTS

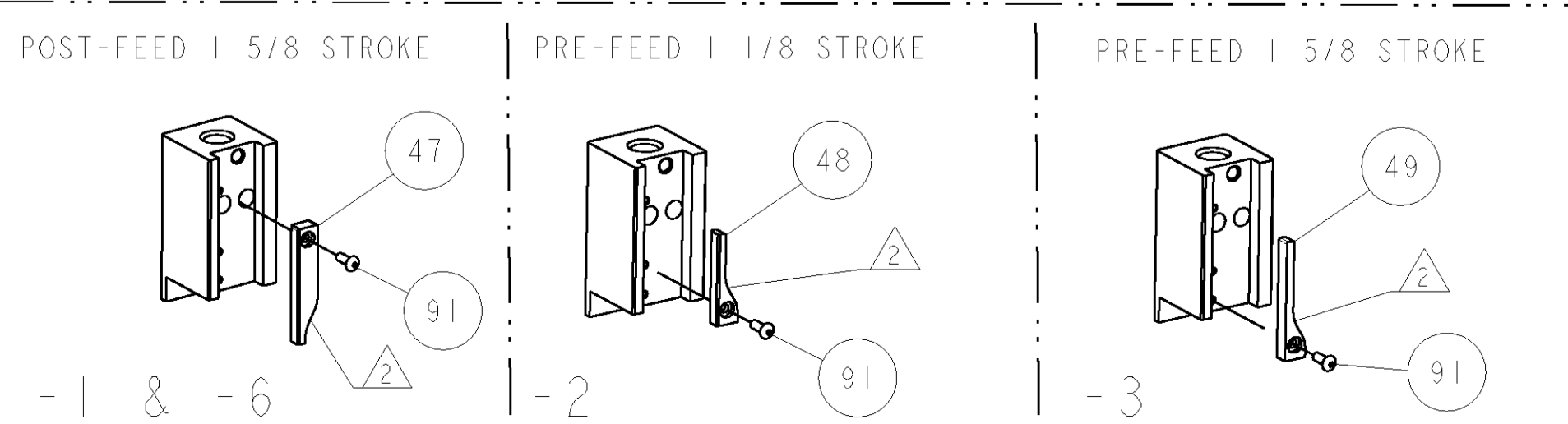
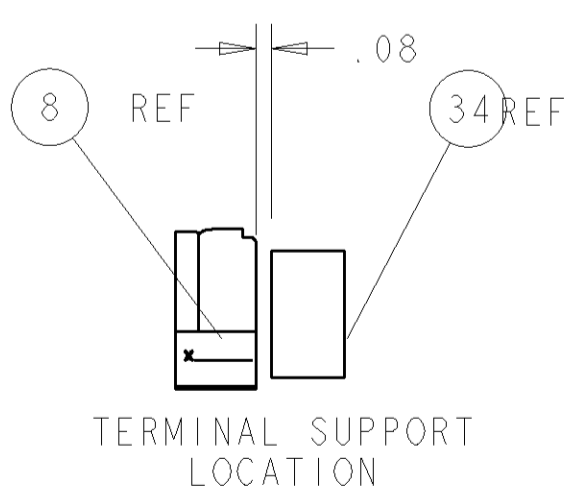
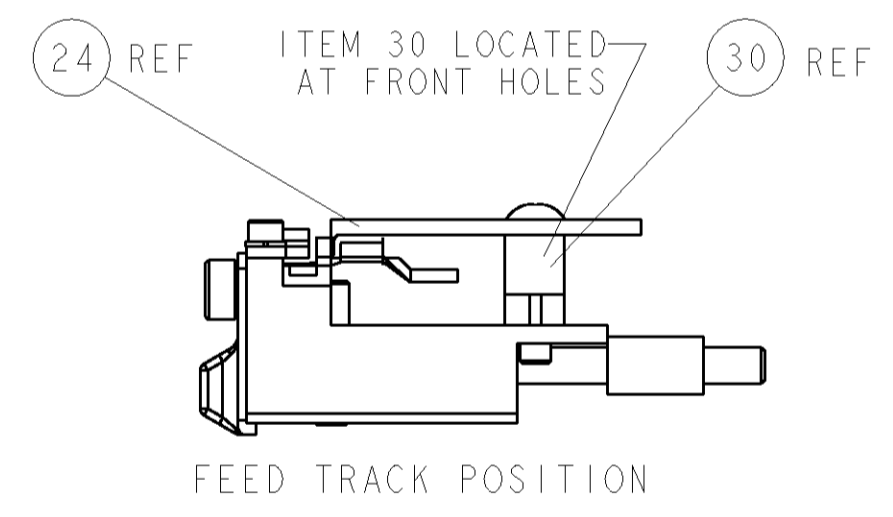
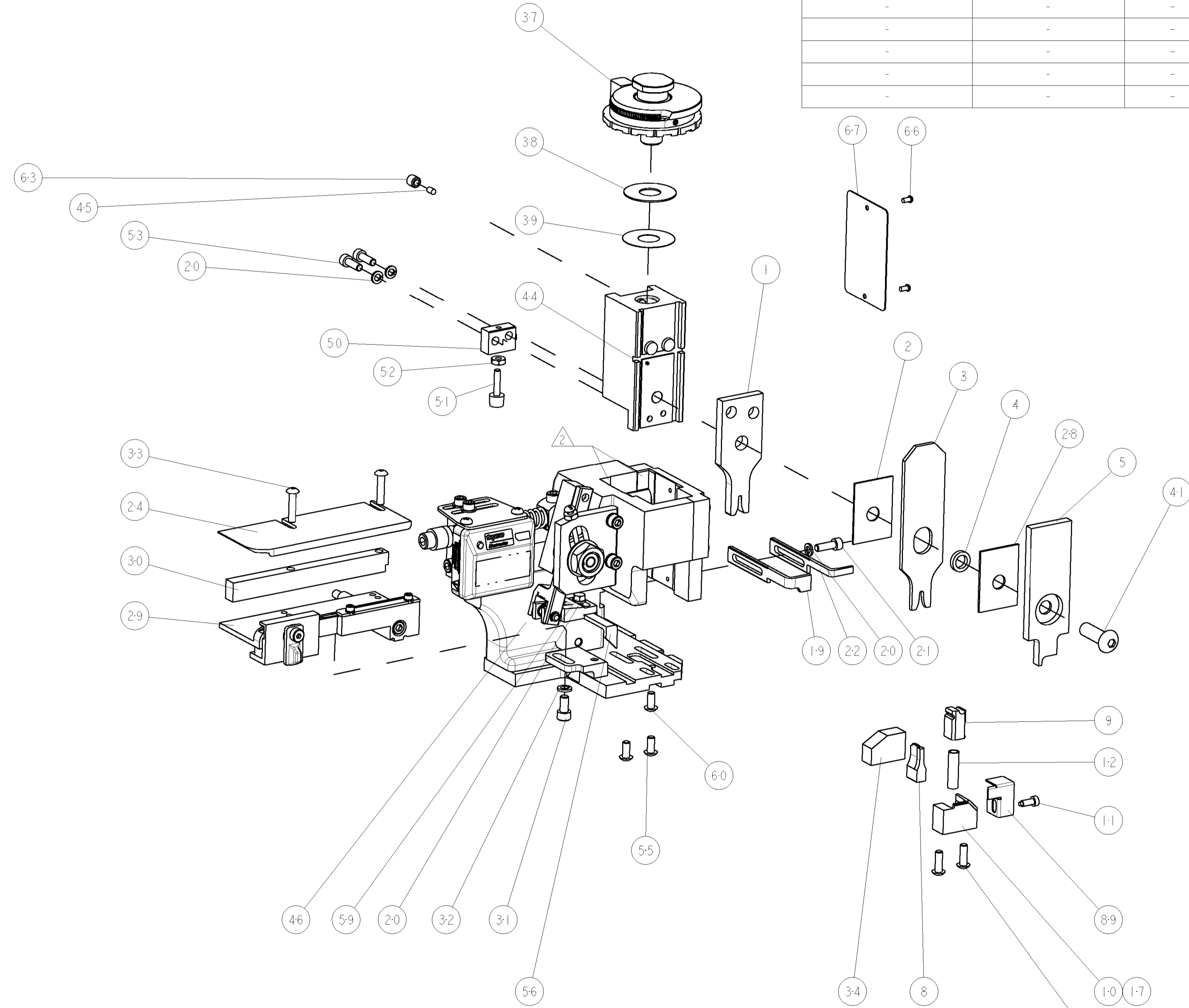


TERMINAL NAME: AMPLVAR			
1930002-1	-	AMP TERMINAL - AMP CRIMP SPECS	
-	-	CRIMP HEIGHT	WIRE SIZE
-	-	1.23±0.05 [ .048±.002]	1.09mm2
-	-	1.14±0.05 [ .045±.002]	0.95mm2
-	-	1.08±0.05 [ .043±.002]	0.85mm2
-	-	1.03±0.05 [ .041±.002]	0.76mm2
-	-	CRIMP	SIZE
-	-	WIRE	.070 [1.78mm]
-	-	INSUL	.110 [2.79mm]
-	-	FEED	.374
-	-	APPLICATOR INSTRUCTIONS	408-8040
-	-	SET UP GAGE	458637-1
WIRE STRIP LENGTH	TERM APPL SPEC	FEED	APPLICATOR INSTRUCTIONS
.246 - .261	114-58501	.374	408-8040

- △ RECOMMENDED SPARE PARTS
- △ GREASE LIGHTLY
- △ GUARD MUST BE IN PLACE WHEN OPERATING APPLICATOR IN A BENCH MACHINE

**\* WARNING**  
ON INSTALLATION, SET WIRE DISC TO LARGEST WIRE SIZE SETTING. USE OF SETTINGS BELOW MIN. REQUIRED CRIMP HEIGHT SETTING WILL CAUSE DAMAGE TO CRIMP TOOLING.

ADDITIONAL CRIMP HEIGHTS		
CRIMP HEIGHT	WIRE SIZE	REF SETTING
0.99±0.05 [ .039±.002]	0.68mm2	D8
-	-	-
-	-	-
-	-	-
-	-	-
-	-	-
-	-	-
-	-	-
-	-	-



REF	QTY	DESCRIPTION	ITEM NO
-	-	455749-1	GUARD WINDOW
-	-	679532-1	INSERT, GUARD
-	1	1-21002-7	SCR, BTN SKT HD CAP 6-32 X .375
-	1	318563-1	GUARD, FRONT CHIP
-	1	4088040	SF APPL INST 408-8040
-	1	217238-1	GENERAL INSTRUCTION PKG
-	1	461264-5	PLATE, IDENTIFICATION
-	2	21017-2	SCREW, DRIVE
-	1	21009-2	SCR, SET, SELF LOCKING 1/4-20 X .250
-	1	22733-8	SCR, BHSC, SELF-LOCKING, 8-32 X .375
-	1	2-22603-0	SCR, HEX HD CAP 8-32 X .312
-	1	458537-2	PAWL, FEED
-	2	2-21002-1	SCR, BTN SKT HD CAP 8-32 X .375
-	2	2-21002-2	SCR, BTN SKT HD CAP 8-32 X .500
-	2	2-21000-7	SCR, SKT HD CAP 8-32 X .500
-	1	21018-5	NUT, HEX, REG 6-32
-	1	811242-2	BUMPER, HOLD DOWN
-	1	690753-1	SPACER, TONKER
-	-	690602-6	CAM, PRE FEED, 1 5/8
-	-	690602-5	CAM, PRE FEED, 1 1/8
-	1	690501-4	CAM, POST FEED, 1 5/8
-	1	459456-1	APPL. BASIC SUB ASSY (SIDE WISE MOCA)
-	1	690191-1	PLUG, NYLON
-	1	819307-4	RAM, SIDE FEED
-	1	7-21002-9	SCR, BTN SKT HD CAP 5/16-24 X 1.00
-	1	690125-1	SHIM SUB-ASSY
-	1	469367-8	SHIM
-	1	879103-3	FINE ADJUST HEAD ASSEMBLY
-	1	5-690786-2	TERMINAL SUPPORT
-	2	2-21002-4	SCR, BTN SKT HD CAP 8-32 X .750
-	1	21024-5	WASHER, SPRG LOCK, REG NO 10
-	1	3-21000-4	SCR, SKT HD CAP 10-32 X .375
-	1	1320908-4	SPACER, STRIP GUIDE
-	1	1633091-1	ASSEMBLY, STRIP GUIDE
-	1	1-455888-0	SPACER, CRIMPER
-	1	1320928-3	PLATE, STRIP GUIDE
-	1	690472-2	STRIPPER
-	1	2-21000-7	SCR, SKT HD CAP 8-32 X .500
-	4	21024-4	WASHER, SPRG LOCK, REG NO 8
-	1	691353-1	STRIPPER
-	1	679625-1	SHEAR HOLDER, FRONT (NO CUT)
-	1	3-22280-3	SPRING, COMPRESSION
-	1	690461-1	STOP, SHEAR
-	1	690459-1	SHEAR HOLDER, FRONT
-	1	462006-1	FLOATING SHEAR, FRONT
-	1	1633538-1	ANVIL, WIRE "F"
-	1	2-455889-0	DEPRESSOR, SHEAR
-	1	238011-4	BLOCK, CRIMPER SPACER
-	1	9-456135-3	CRIMPER, INSULATION 0 PREMIUM
-	1	455888-7	SPACER, CRIMPER
-	1	5-456404-6	CRIMPER, WIRE PREMIUM

U/M	PART NO	DESCRIPTION	ITEM NO					
-77	-6	-3	-2	-1	U/M	PART NO	DESCRIPTION	ITEM NO

# Mouser Electronics

Authorized Distributor

Click to View Pricing, Inventory, Delivery & Lifecycle Information:

[TE Connectivity:](#)

[1852414-3](#)