

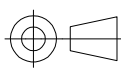

USED ON _____

DWG NO
1385703

SEE PRODUCTION DRAWING
1385703

THIS INFORMATION IS CONFIDENTIAL AND PROPRIETARY TO TYCO ELECTRONICS CORPORATION AND ITS WORLDWIDE SUBSIDIARIES AND AFFILIATES (TE). IT MAY NOT BE DISCLOSED TO ANYONE, OTHER THAN TE PERSONNEL, WITHOUT AUTHORIZATION FROM TE (www.TE.com).

LOC
A
DIST
66

					DWN M.YOUNGER	01MAY2011	CHK -	APVD -		
					DIMENSIONS: INCHES		MATERIAL -	HT TR -		
					 SURFACE TEXTURE $\sqrt{\quad}$	TOLERANCES UNLESS OTHERWISE SPECIFIED: 0 PLC \pm - 1 PLC \pm - 2 PLC \pm - 3 PLC \pm - 4 PLC \pm - ANGLES \pm -	 TE Connectivity			
A1	SEE PRODUCT DRAWING	-	-	-			NAME END FEED HDM APPLICATOR			
P	LTR	REVISION RECORD	DATE	DWN	APVD					
THIS DRAWING IS A CONTROLLED DOCUMENT.					SCALE 1:1	SIZE A4	DRAWING NO 1385703	SHEET 1	OF 1	REV A1