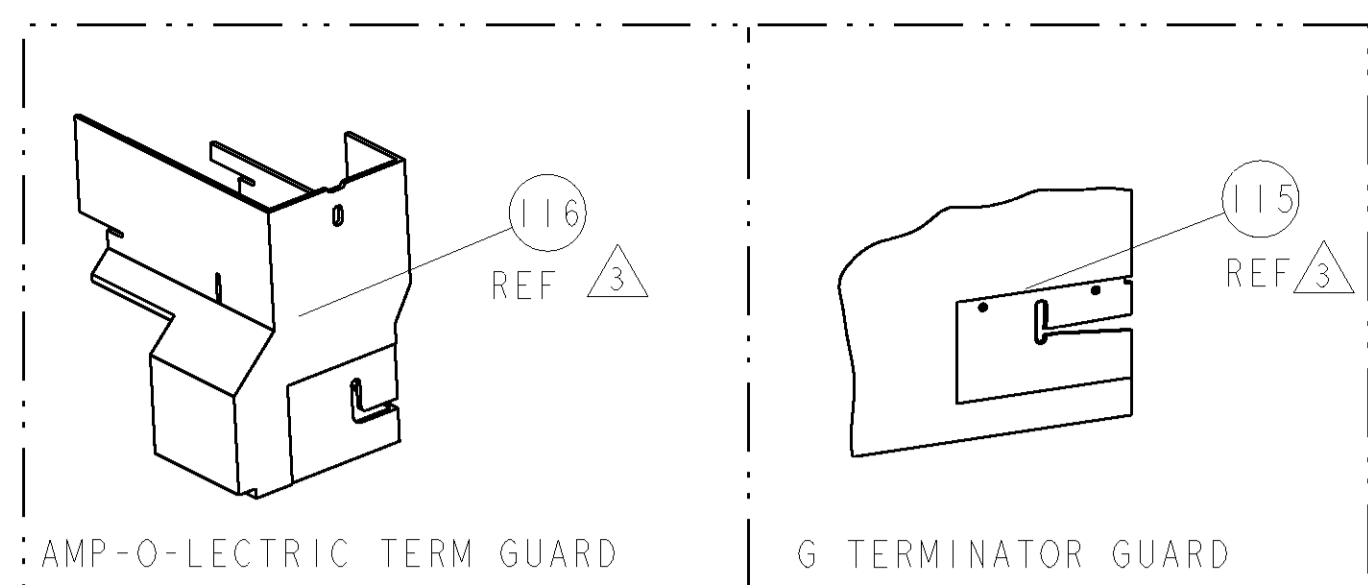


PART NUMBER	REV	FIRST USED	POWER UNIT	FEED TYPE	DESCRIPTION
1855464-1	A	122500-1	LEADMAKER	POST FEED	CUTS CARRIER
1855464-2	A	565435-5	BENCH MODEL K	PRE FEED	CUTS CARRIER
1855464-3	A	354500-1	BENCH MODEL G	PRE FEED	CUTS CARRIER
1855464-6	A	122500-1	LEADMAKER	POST FEED	CONTINUOUS CARRIER
7-1855464-7	A	-	-	-	SPARE PARTS



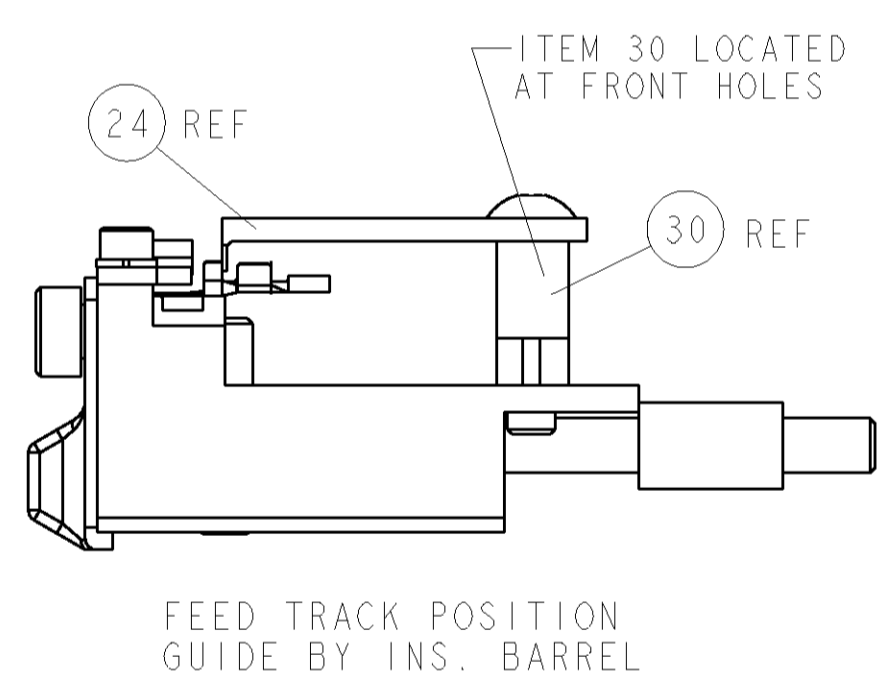
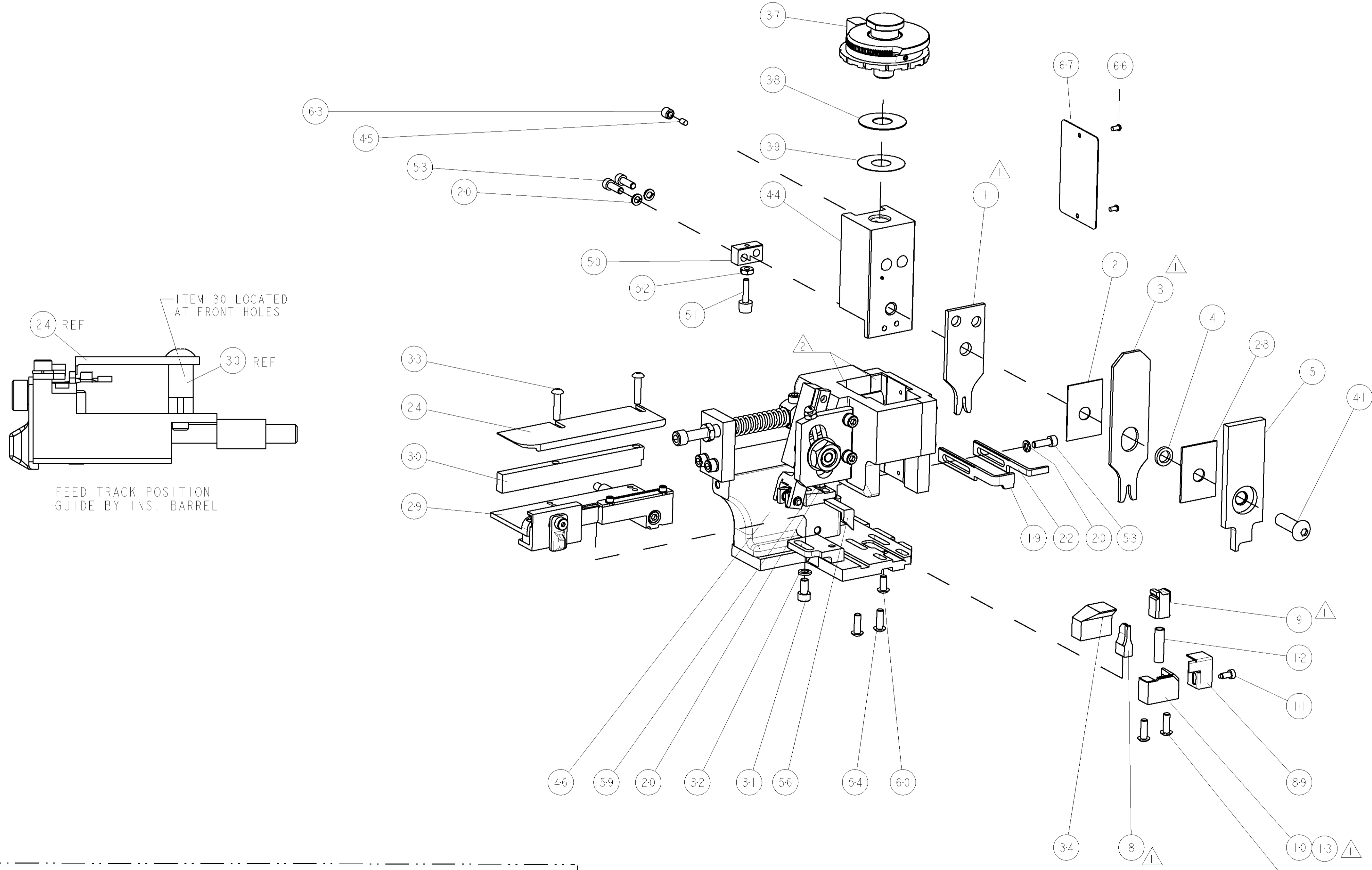
TERMINAL NAME: CONTACT, RECEPTACLE, 1mm 90° GOLD PLATED

TE PN	TE TERMINAL - TE CRIMP SPECS	REF SETTING
1587082		
	CRIMP HEIGHT	WIRE SIZE
	1.13mm±0.05/-0.05 [L.044+ .002/- .002]	18AWG or 0.75mm2
	0.98mm±0.05/-0.05 [L.039+ .002/- .002]	20AWG or 0.5mm2
	CRIMP	SIZE
		TYPE
		RANGE
	WIRE	1.78mm [L.070]
	INSUL	2.79mm [L.110]
		Ø 1.905 - 2.489
WIRE STRIP LENGTH	TERM APPL SPEC	FEED
4.20-5.74	114-13139	10.35
	APPLICATOR INSTRUCTIONS	SET UP GAGE
	408-8040	458637-1

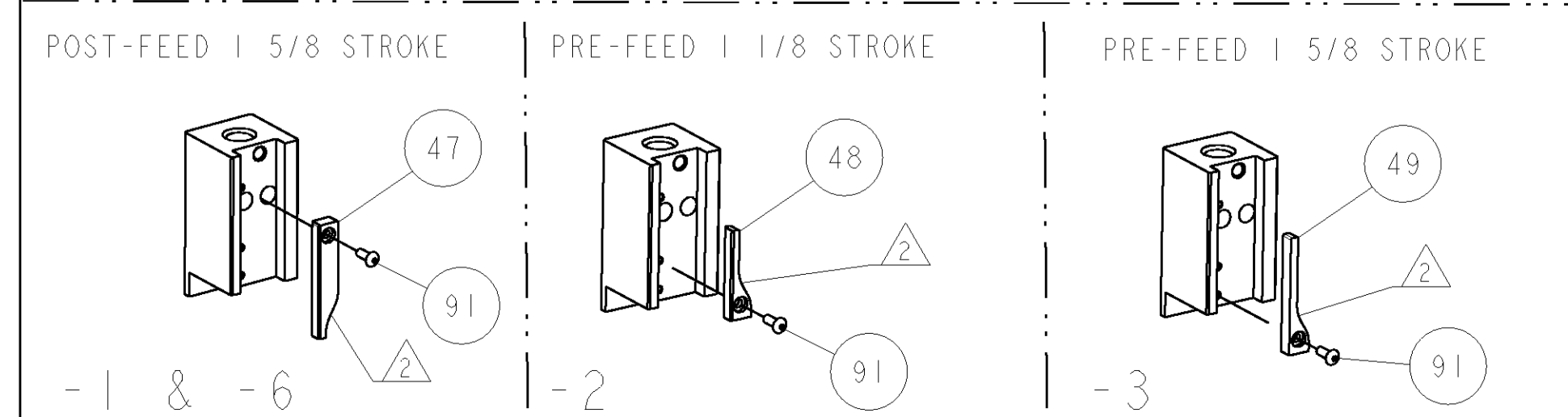
LOC	DIST	REV	DESCRIPTION	DATE	DWN	APVD
A	66		RELEASED	26JAN2009	RK	GB

- △ RECOMMENDED SPARE PARTS
- △ GREASE LIGHTLY
- △ GUARD MUST BE IN PLACE WHEN OPERATING APPLICATOR IN A BENCH MACHINE

*** WARNING**
ON INSTALLATION, SET WIRE DISC TO LARGEST WIRE SIZE SETTING. USE OF SETTINGS BELOW MIN. REQUIRED CRIMP HEIGHT SETTING WILL CAUSE DAMAGE TO CRIMP TOOLING.



QTY	REF	DESCRIPTION	ITEM NO
1	116	GUARD WINDOW	116
1	115	INSERT, GUARD	115
1	91	SCR, BTN SKT HD CAP 6-32 X .375	91
1	89	GUARD, FRONT CHIP	89
1	72	SF APPL INST 408-8040	72
1	71	GENERAL INSTRUCTION PKG	71
1	67	PLATE, IDENTIFICATION	67
2	66	SCREW, DRIVE	66
1	63	SCR, SET, SELF LOCKING 1/4-20 X .250	63
1	60	SCR, BHSC, SELF-LOCKING, 8-32 X .375	60
1	59	SCR, HEX HD CAP 8-32 X .312	59
1	56	PAWL, FEED	56
4	54	SCR, BTN SKT HD CAP 8-32 X .500	54
3	53	SCR, SKT HD CAP 8-32 X .500	53
1	52	NUT, HEX, REG 6-32	52
1	51	BUMPER, HOLD DOWN	51
1	50	SPACER, TONKER	50
1	49	CAM, PRE FEED, 1 5/8	49
1	48	CAM, PRE FEED, 1 1/8	48
1	47	CAM, POST-FEED 1 5/8	47
1	46	APPL. BASIC SUB ASSY (SIDE WISE MQCA)	46
1	45	PLUG, NYLON	45
1	44	RAM, SIDE FEED	44
1	41	SCR, BTN SKT HD CAP 5/16-24 X 1.00	41
1	39	SHIM SUB-ASSY	39
1	38	SHIM	38
1	37	FINE ADJUST HEAD ASSEMBLY	37
1	34	TERMINAL SUPPORT	34
2	33	SCR, BTN SKT HD CAP 8-32 X .750	33
1	32	WASHER, SPRG LOCK, REG NO 10	32
1	31	SCR, SKT HD CAP 10-32 X .375	31
1	30	SPACER, STRIP GUIDE	30
1	29	ASSEMBLY, STRIP GUIDE	29
1	28	SPACER, CRIMPER	28
1	24	PLATE, STRIP GUIDE	24
1	22	STRIPPER	22
4	20	WASHER, SPRG LOCK, REG NO 8	20
1	19	STRIPPER	19
1	13	SHEAR HOLDER, FRONT (NO CUT)	13
1	12	SPRING, COMPRESSION	12
1	11	STOP, SHEAR	11
1	10	SHEAR HOLDER, FRONT	10
1	9	FLOATING SHEAR, FRONT	9
1	8	ANVIL, COMBINATION .062	8
1	7		7
1	6		6
1	5	DEPRESSOR, SHEAR	5
1	4	BLOCK, CRIMPER SPACER	4
1	3	CRIMPER, INSULATION O PREMIUM	3
1	2	SPACER, CRIMPER	2
1	1	CRIMPER, WIRE PREMIUM	1



DIMENSIONS: INCHES		TOLERANCES UNLESS OTHERWISE SPECIFIED:		DWG: H. HUANG 15DEC2008		CHK: G. BAILEY 26JAN2009		APVD: N. DEMING 19DEC2008		NAME: FINE ADJUST SIDE FEED HDM APPLICATOR	
Ø	PLC	±	PLC	APPL SPEC	SIZE	CAGE CODE	DRAWING NO	RESTRICTED TO	SCALE	SHEET	OF
Ø	1	±	1		A1	00779	1855464		3:5	1	1
Ø	2	±	2								
Ø	3	±	3								
Ø	4	±	4								
Ø	5	±	5								
Ø	6	±	6								
Ø	7	±	7								
Ø	8	±	8								
Ø	9	±	9								
Ø	10	±	10								
Ø	11	±	11								
Ø	12	±	12								
Ø	13	±	13								
Ø	14	±	14								
Ø	15	±	15								
Ø	16	±	16								
Ø	17	±	17								
Ø	18	±	18								
Ø	19	±	19								
Ø	20	±	20								
Ø	21	±	21								
Ø	22	±	22								
Ø	23	±	23								
Ø	24	±	24								
Ø	25	±	25								
Ø	26	±	26								
Ø	27	±	27								
Ø	28	±	28								
Ø	29	±	29								
Ø	30	±	30								
Ø	31	±	31								
Ø	32	±	32								
Ø	33	±	33								
Ø	34	±	34								
Ø	35	±	35								
Ø	36	±	36								
Ø	37	±	37								
Ø	38	±	38								
Ø	39	±	39								
Ø	40	±	40								
Ø	41	±	41								
Ø	42	±	42								
Ø	43	±	43								
Ø	44	±	44								
Ø	45	±	45								
Ø	46	±	46								
Ø	47	±	47								
Ø	48	±	48								
Ø	49	±	49								
Ø	50	±	50								
Ø	51	±	51								
Ø	52	±	52								
Ø	53	±	53								
Ø	54	±	54								
Ø	55	±	55								
Ø	56	±	56								
Ø	57	±	57								
Ø	58	±	58								
Ø	59	±	59								
Ø	60	±	60								
Ø	61	±	61								
Ø	62	±	62								
Ø	63	±	63								
Ø	64	±	64								
Ø	65	±	65								
Ø	66	±	66								
Ø	67	±	67								
Ø	68	±	68								
Ø	69	±	69								
Ø	70	±	70								
Ø	71	±	71								
Ø	72	±	72								
Ø	73	±	73								
Ø	74	±	74								
Ø	75	±	75								
Ø	76	±	76								
Ø	77	±	77								
Ø	78	±	78								
Ø	79	±	79								
Ø	80	±	80								
Ø	81	±	81								
Ø	82	±	82								
Ø	83	±	83								
Ø	84	±	84								
Ø	85	±	85								
Ø	86	±	86								
Ø	87	±	87								
Ø	88	±	88								
Ø	89	±	89								
Ø	90	±	90								
Ø	91	±	91								
Ø	92	±	92								
Ø	93	±	93								
Ø	94	±	94								
Ø	95	±	95								
Ø	96	±	96								
Ø	97	±	97								
Ø	98	±	98								
Ø	99	±	99								
Ø	100	±	100								