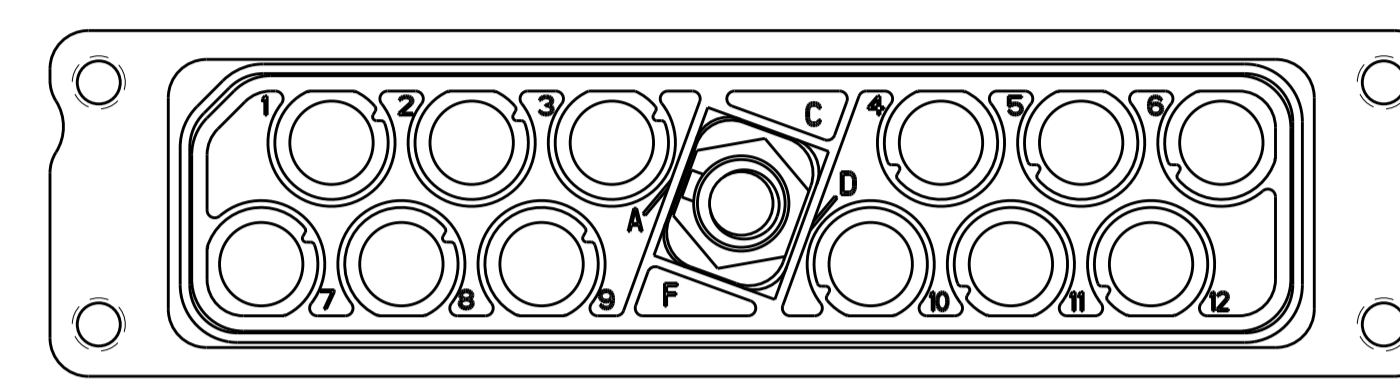
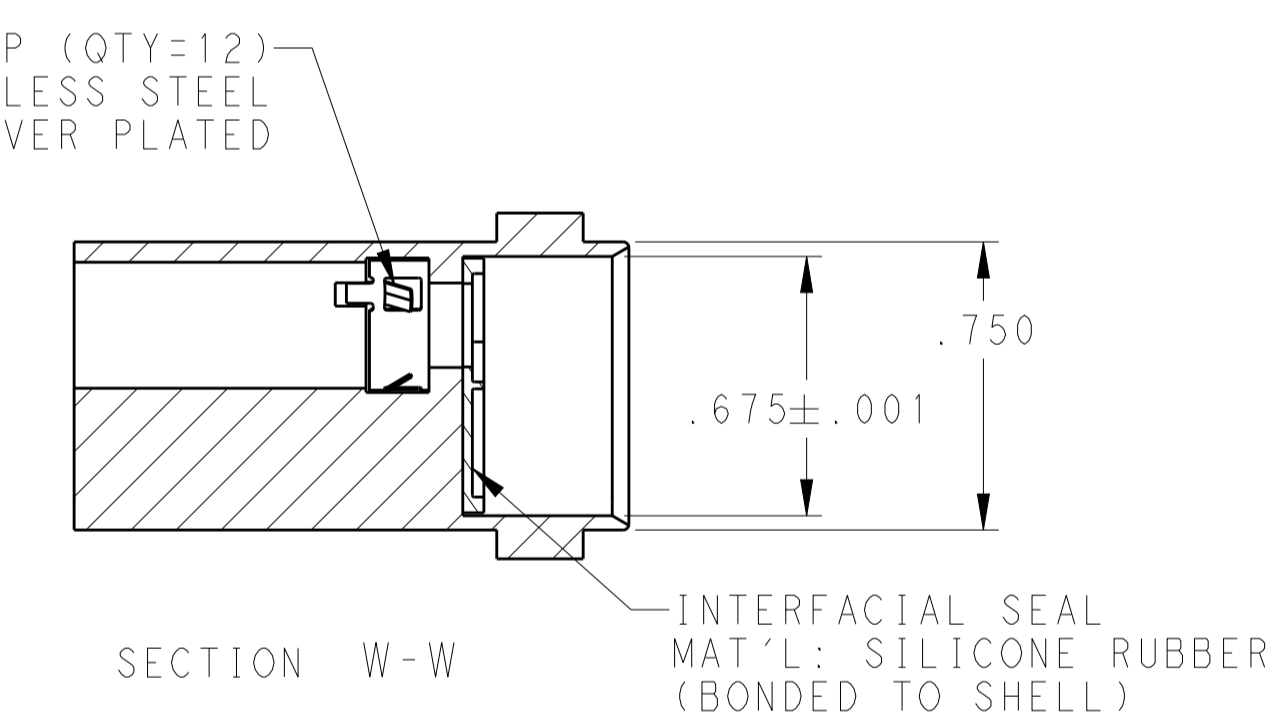
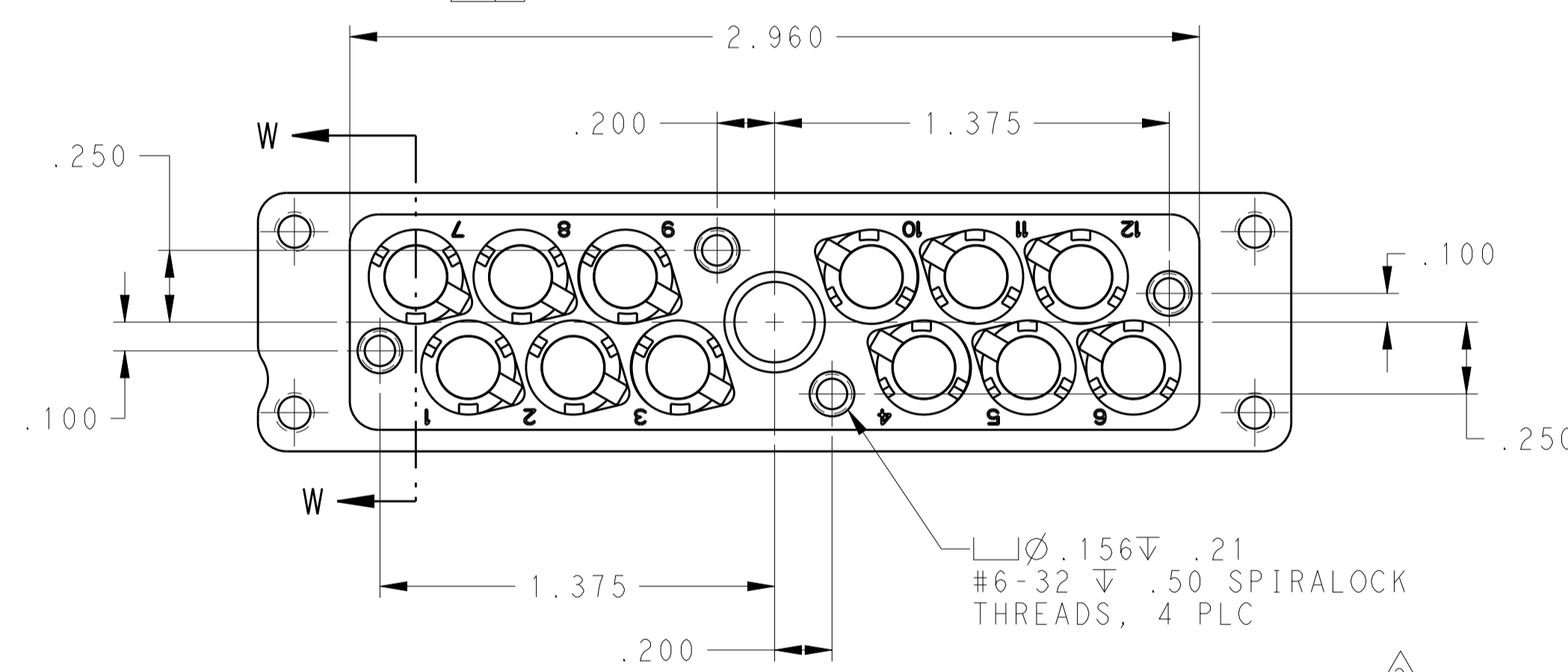
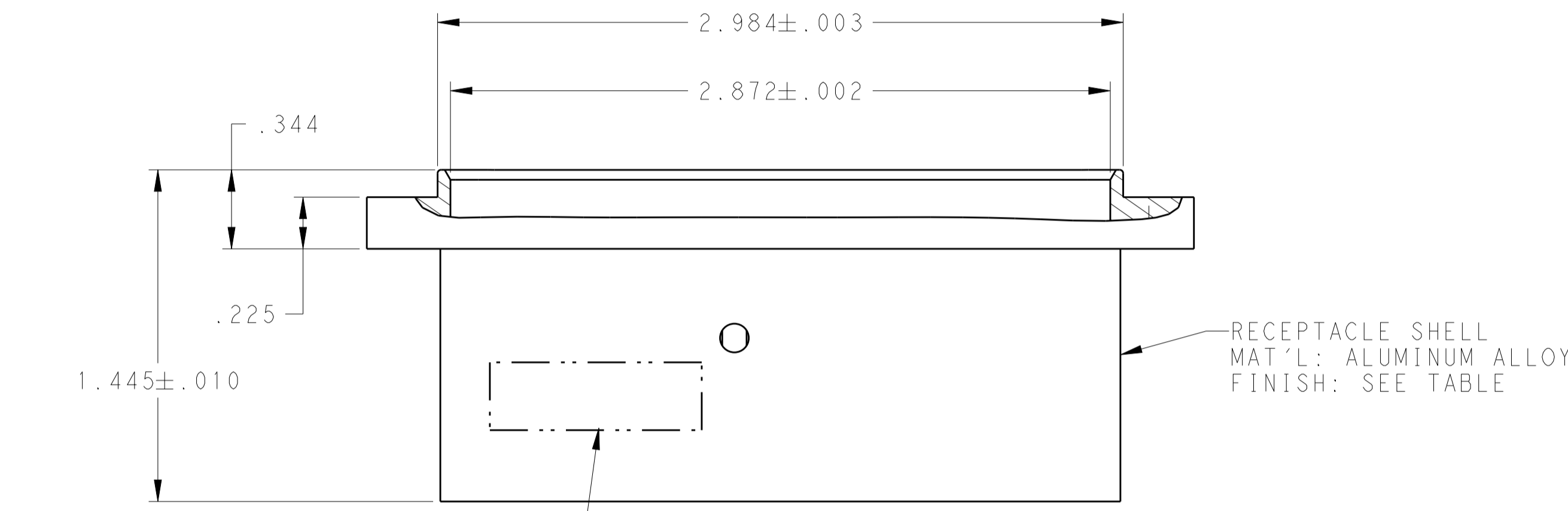
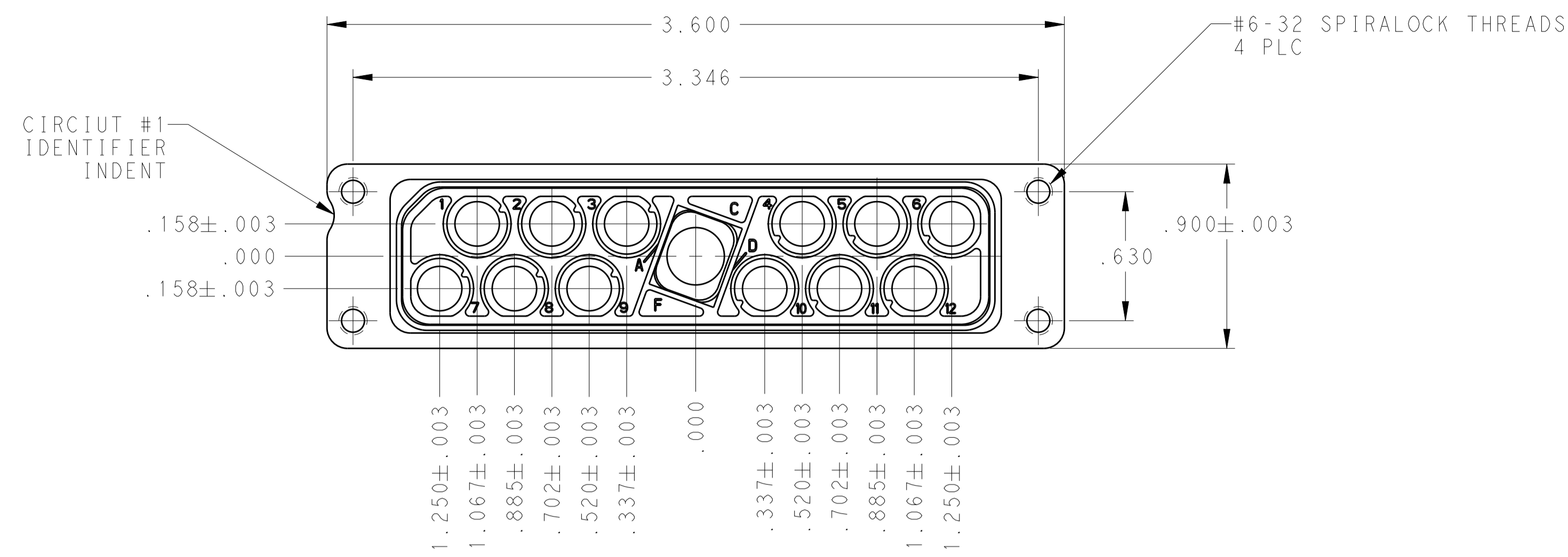
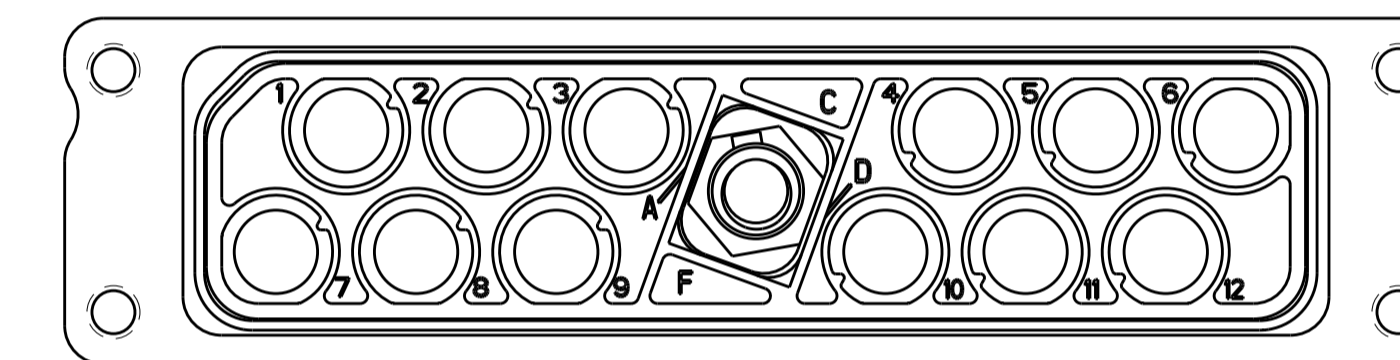


LOC		DIST		REVISIONS			
P	LTN	REV	PER	ECO	DATE	DMN	APVD
G		REV PER	ECO	15-009778	7-6-15	CT	DM



1604799-9 SHOWN  
KEYED IN "A" POSITION



1-1604799-0 SHOWN  
KEYED IN "B" POSITION

REMARKS	HOUSING FINISH	RECOMMENDED CONTACT WITH WIRE SEAL (NOT INCLUDED)	CUSTOMER PART NUMBER	DESCRIPTION	TE PART NO
4	ELECTROLESS NICKEL	1445692-4	BACC65BD12NB	JACKPOST ASSEMBLED POLARIZATION CODE "B"	1-1604799-0
3	ELECTROLESS NICKEL	1445692-4	BACC65BD12NA	JACKPOST ASSEMBLED POLARIZATION CODE "A"	1604799-9
2	ELECTROLESS NICKEL	1445692-4	BACC65BD12N	WITH JACKPOST KIT (FLAT POLARIZATION) (NOT INSTALLED)	1604799-8
2	ELECTROLESS NICKEL	1445692-3	---	WITH JACKPOST KIT (FLAT POLARIZATION) (NOT INSTALLED)	1604799-7
2	ELECTROLESS NICKEL	1445692-3	---	WITH JACKPOST KIT (FLAT POLARIZATION) (NOT INSTALLED)	1604799-5
<b>OBSELETE</b>	BLACK ANODIZED	1445692-4	BACC65BD12A	WITH JACKPOST KIT (FLAT POLARIZATION) (NOT INSTALLED)	1604799-4

SUPERSEDED BY 1604799-5

**RCPT**  
**1604996-X**  
**CONDUCTIVE**

DUST COVER (INSTALLED FOR SHIPPING)

THIS DRAWING IS A CONTROLLED DOCUMENT. DWN: C.C. THOMAS 29NOV2010  
 CHK: D. MILLER 29NOV2010  
 APVD: D. MILLER 29NOV2010  
 NAME: RECEPTACLE ASSY, QUADRAX, PANEL MOUNT RR/RR, 12 POSITION  
 PRODUCT SPEC: -  
 APPLICATION SPEC: -  
 SIZE: A1 00779 C=1604799  
 WEIGHT: -  
 MATERIAL: SEE CALLOUTS  
 FINISH: SEE CALLOUTS  
 DIMENSIONS: INCHES  
 TOLERANCES UNLESS OTHERWISE SPECIFIED:  
 0 PLC ±  
 2 PLC ±  
 3 PLC ±.005  
 4 PLC ±  
 ANGLES ±  
 CUSTOMER DRAWING  
 SCALE: 2:1 SHEET 1 OF 1 REV G

# Mouser Electronics

Authorized Distributor

Click to View Pricing, Inventory, Delivery & Lifecycle Information:

[TE Connectivity:](#)

[1604799-8](#)