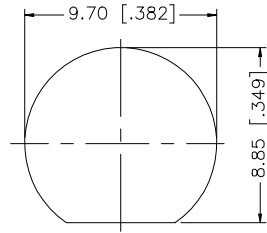
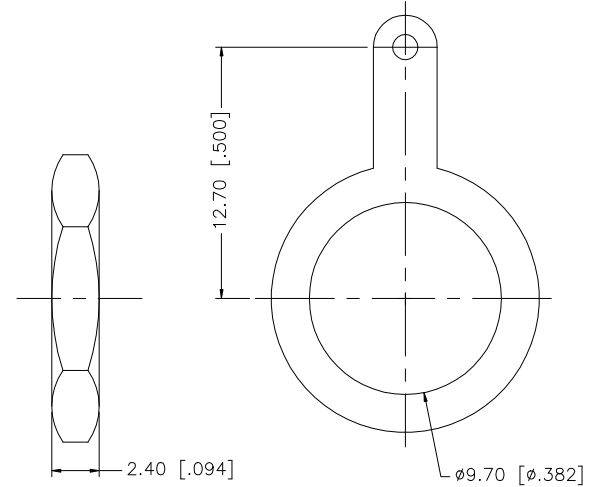
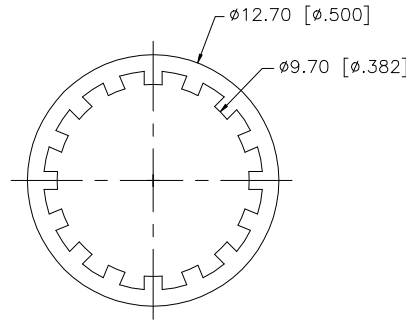
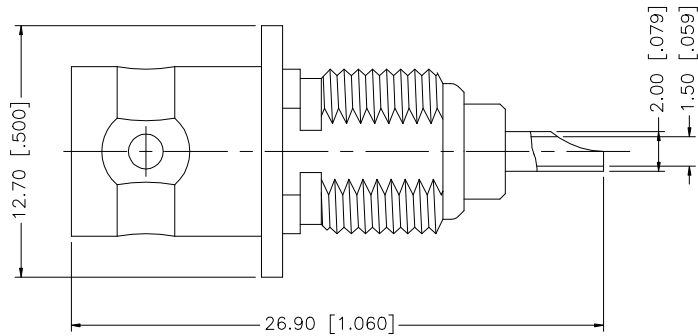


REV.	DATE	DESCRIPTION
A	04/14/04	UPDATE DRAWING FORMAT



RECOMMENDED MOUNTING HOLE



QTY	DESCRIPTION	MATERIAL	FINISH
1	HOUSING/BODY	DIECAST	NICKEL
2	CONTACT PIN	BER. COPPER	GOLD
3	INSULATOR	TEFLON	NATURAL
4	LOCK WASHER	BRASS	NICKEL
5	HEX NUT	BRASS	NICKEL

UNLESS OTHERWISE SPECIFIED DIMENSIONS ARE IN MILLIMETERS. DIMENSIONS IN [ ] ARE IN INCHES AND FOR CUSTOMER REFERENCE ONLY.

UNLESS OTHERWISE SPECIFIED TOLERANCES FOR MILLIMETERS ARE:  
0.5 - 8mm ± 0.20mm  
8 - 30mm ± 0.40mm  
30 - 120mm ± 0.50mm

UNLESS OTHERWISE SPECIFIED TOLERANCES FOR INCHES ARE:  
.020 - .315 = ± 0.007"  
.315 - 1.180 = ± 0.015"  
1.180 - 4.724 = ± 0.020"

DO NOT SCALE DRAWING

APPROVALS	DATE
DRAWN G.R.S.	04/14/04
CHECKED	
ISSUED	
SHEET 1 OF 1	
CAD FILE	C:/112/112575.DWG

**Amphenol Connex**

PART DESCRIPTION  
**BNC BULKHEAD RECEPTACLE JACK**

PART NO.  
**112575**

DWG. NO.	112575.DWG	REV.	A	SIZE	A	SCALE	NA
----------	------------	------	---	------	---	-------	----

# Mouser Electronics

Authorized Distributor

Click to View Pricing, Inventory, Delivery & Lifecycle Information:

[Amphenol:](#)

[112575](#)